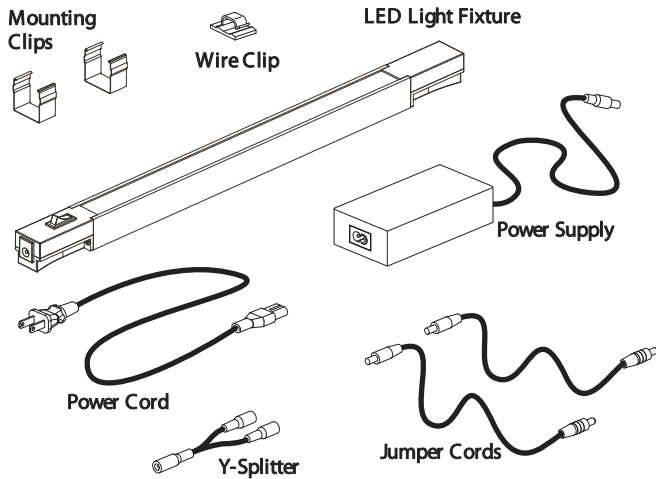


LED Lights

Tools Required

- None

Package Contents



Installation

1. Locate the two jumper cords and run one cord down each vertical post cord wire cavity. (Figure A)
2. Slide mounting clips on to LED Light Fixture from each end. Position clips approximately 3" from each end. (Figure B).

Figure A

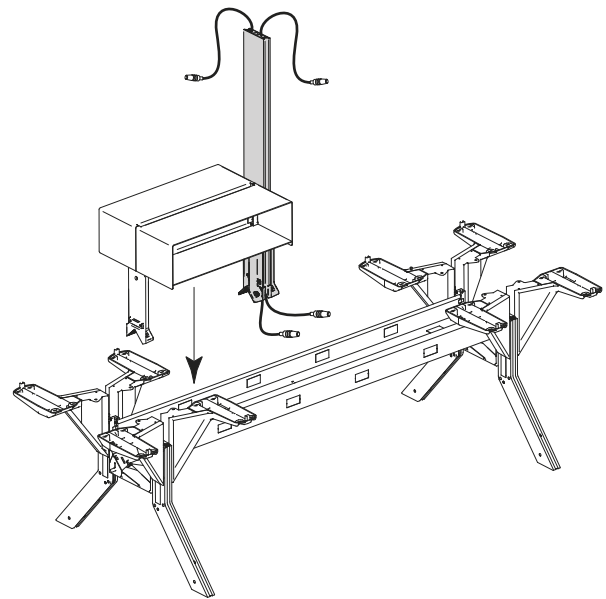
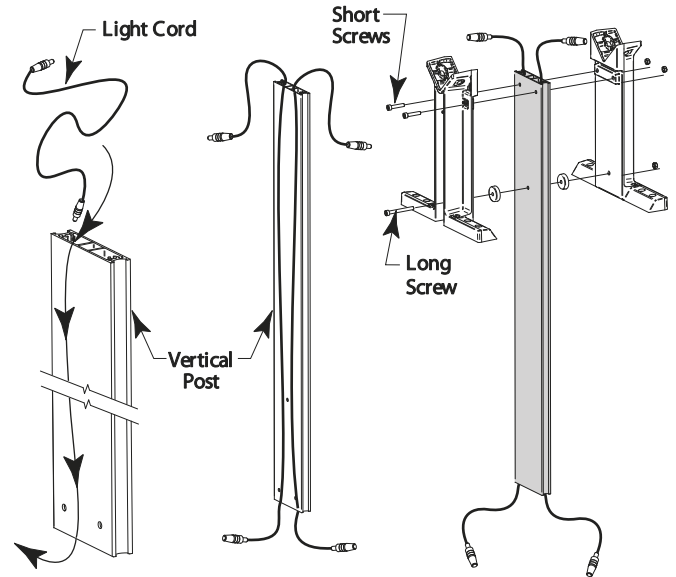
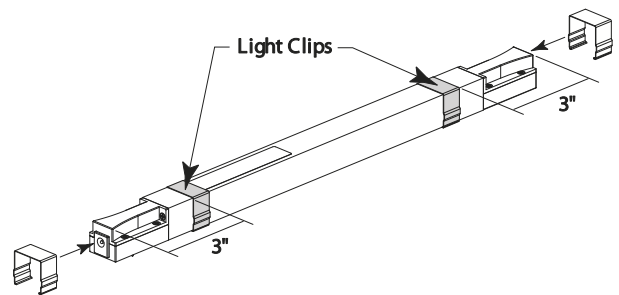


Figure B



Installation (continued)

3. Position the LED light fixture in the terrace beam at desired location and push up to snap in place. Additional lights can be added by plugging the end of the jumper cord into the end of each of the LED light fixtures. Use wire clips to conceal hanging wires. (Figure C).
4. Locate the "Y" cord splitter and attach one of the double ends to each of the jumper ends at the bottom of the vertical post. Locate the power supply and plug the male end of the cord into the open female end of the "Y" splitter. Plug the power cord into an electrical receptacle and store wires and power supply box in the power data tray. (Figure D).

Figure C

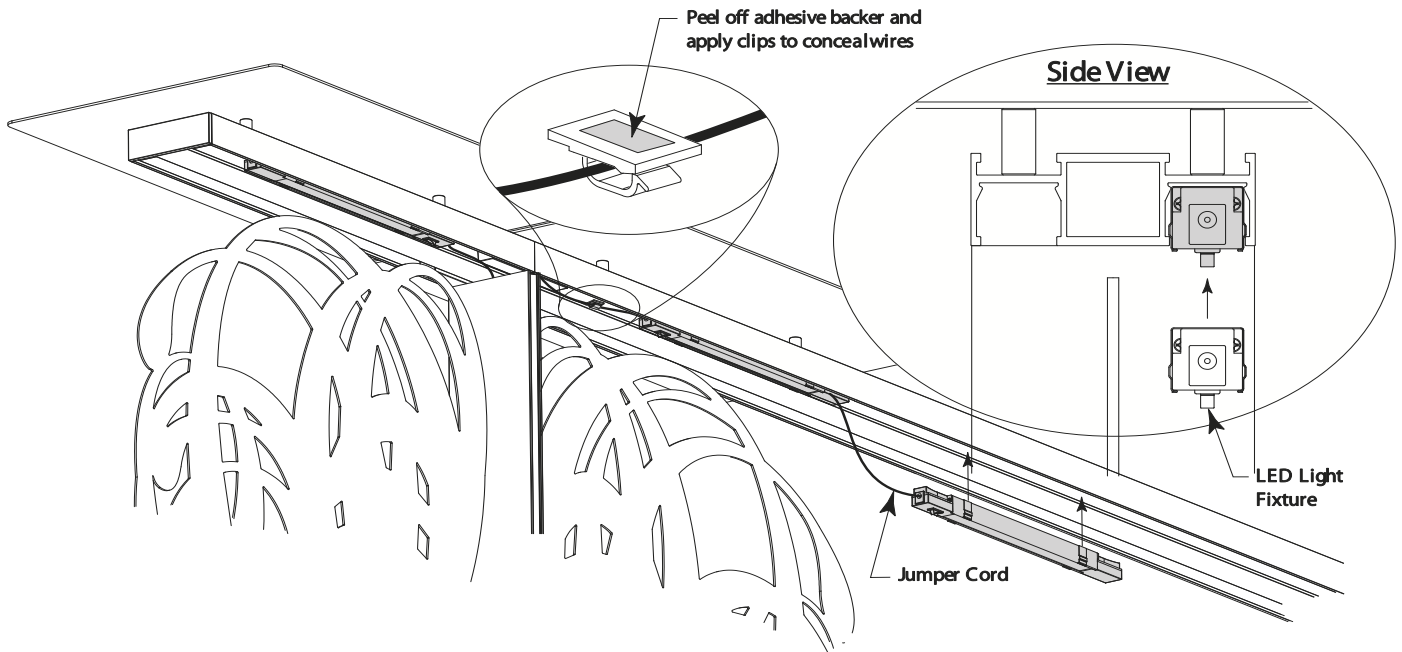


Figure D

