

## Four Circuit Power

### Tools Required

- Mallet
- Flathead Screwdriver

The installation of the four circuit floor/wall power in-feed, modular starter plate, or ceiling power in-feed must be performed by a licensed electrician in accordance with the National Electrical Code and local codes. Reference labels on conduit for wiring diagrams.

**Warning:**

Hum electrical components are manufactured to meet UL1286 Requirements. Do not use Cetra, Xsite, or Interworks EQ electrical components with Hum.

Figure A

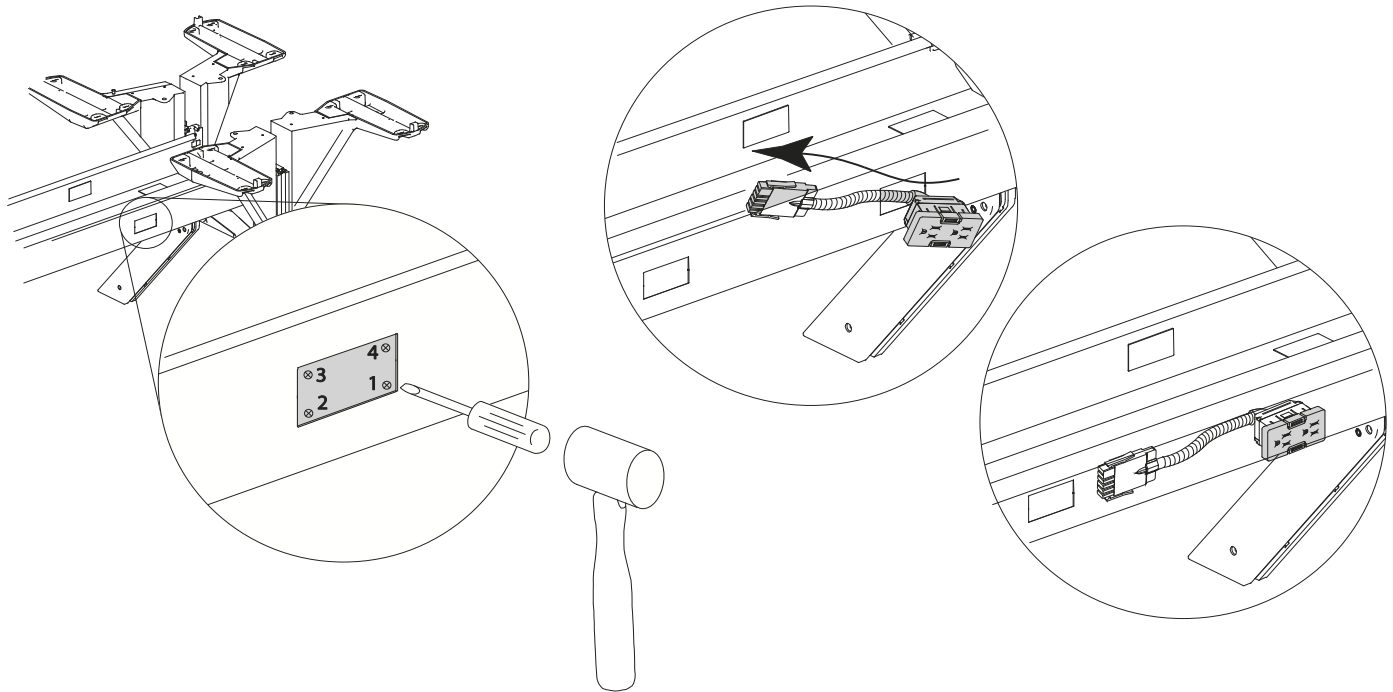
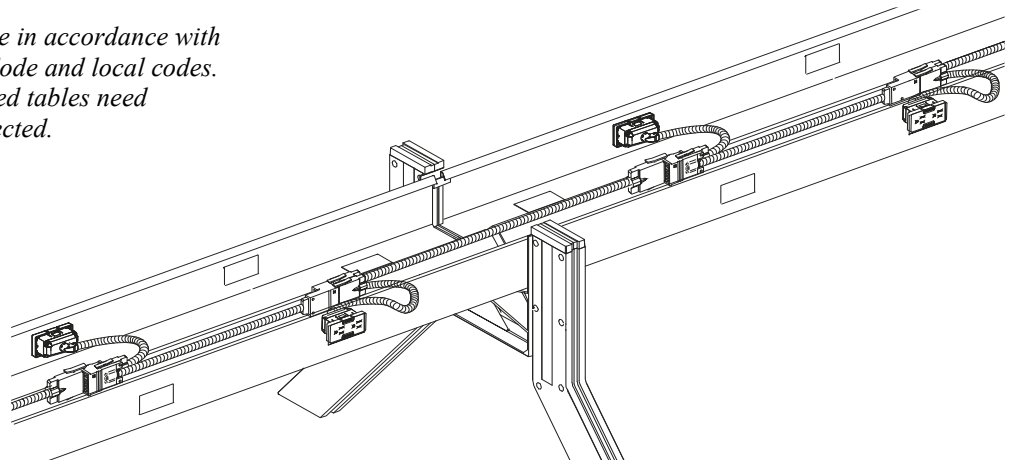


Figure B

*Note: Installation must be in accordance with the National Electrical Code and local codes. Electrically interconnected tables need to be mechanically connected.*

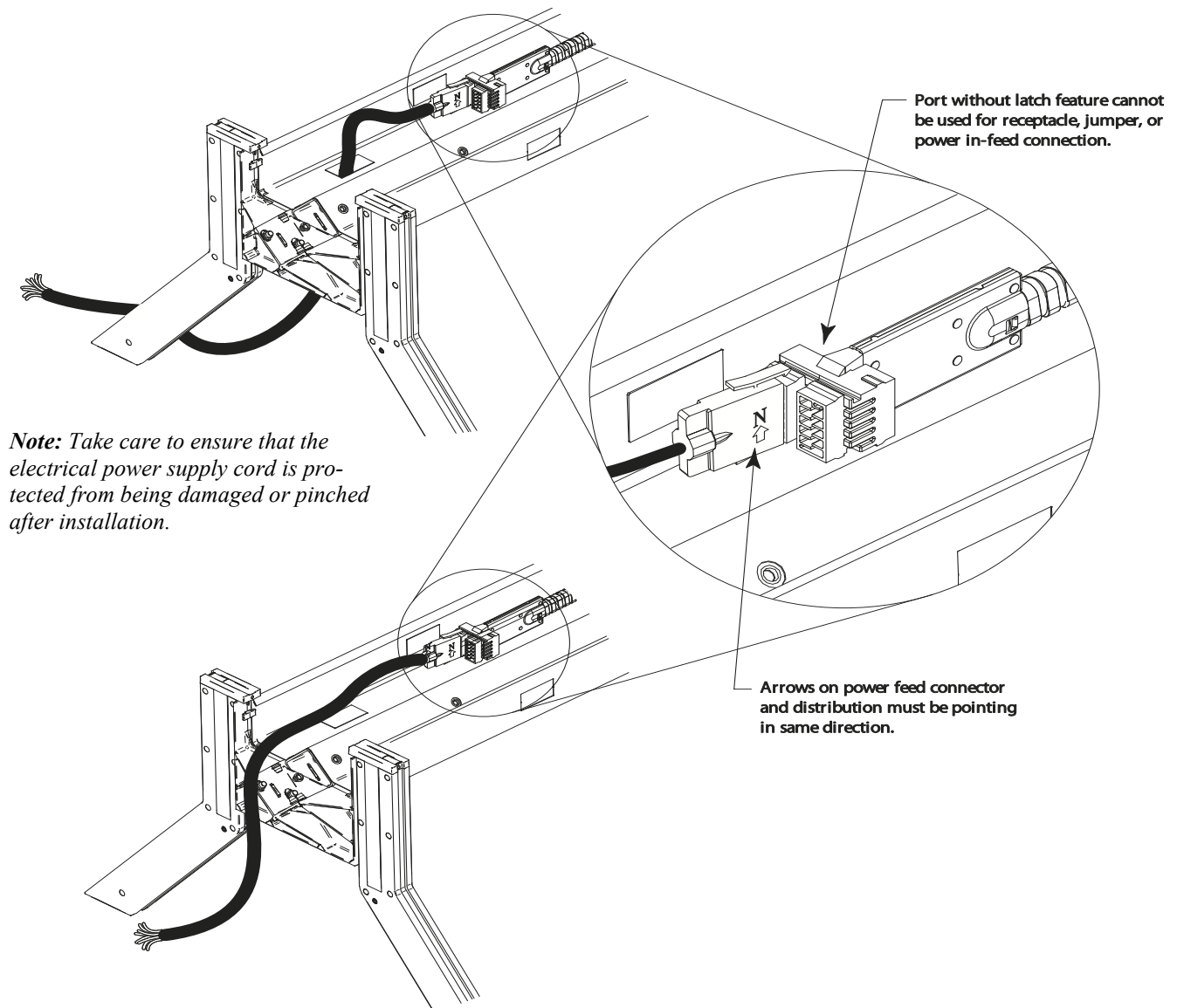


## Four Circuit Floor/Wall Power In-Feed

### Tools Required

- None

Figure C



**Note:** The installation of the four circuit floor/wall power in-feed must be performed by a licensed electrician in accordance with the National Electrical Code and local codes. Reference labels on conduit for wiring diagrams. Electrically interconnected tables need to be mechanically connected.

**Warning:** Hum electrical components are manufactured to meet UL1286 Requirements. Do not use Cetra, Xsite, or Interworks EQ electrical components with Hum.

Proper product installation, in accordance with these instructions, is the responsibility of the installing agent. If you have any questions concerning these instructions, please call Kimball Office Customer Care.

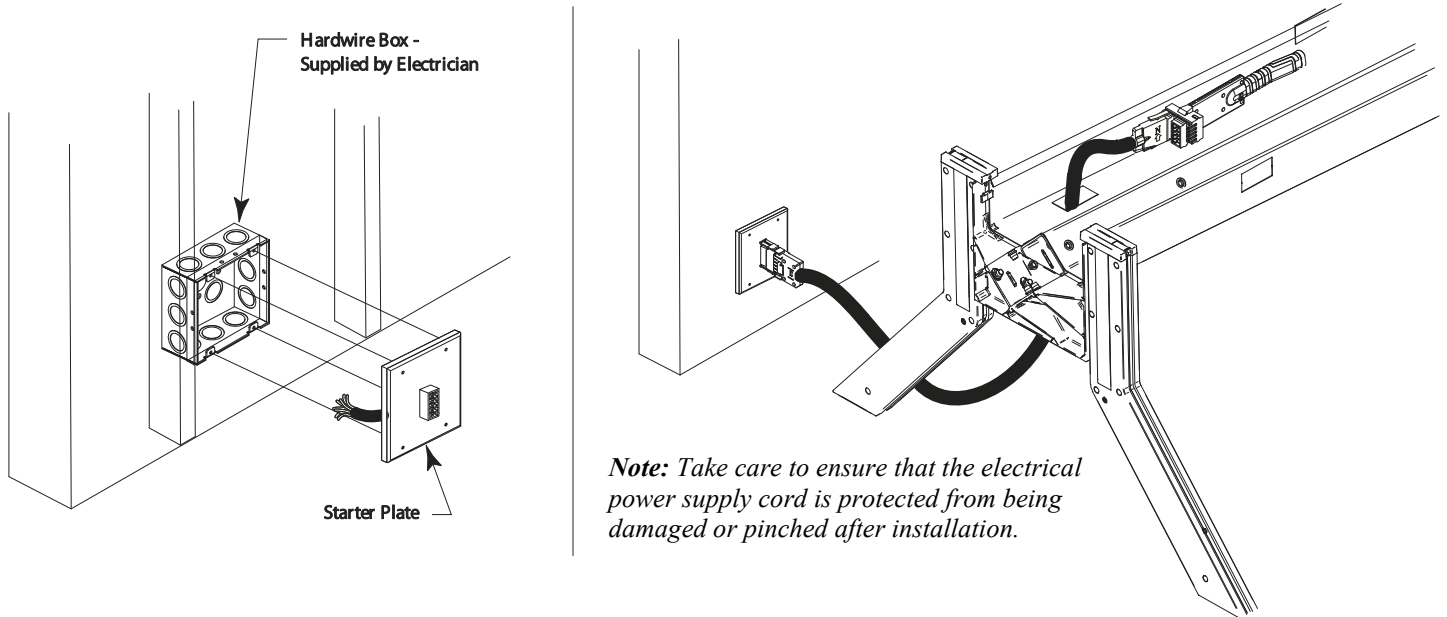
Kimball Office

# Four Circuit Modular Power In-Feed

## Tools Required

- None

Figure D



**Note:** The installation of the four circuit modular in-feed must be performed by a licensed electrician in accordance with the National Electrical Code and local codes. Reference labels on conduit for wiring diagrams. Electrically interconnected tables need to be mechanically connected.

**Warning:** Hum electrical components are manufactured to meet UL1286 Requirements. Do not use Cetra, Xsite, or Interworks EQ electrical components with Hum.

## Important Warning Information

**⚠ WARNING!**

**RISK OF ELECTRICAL SHOCK!**

**NEVER USE MORE THAN ONE "POWER IN-FEED" (PART A).  
CHECK UNDER WORKSURFACES TO ENSURE ONLY A SINGLE  
"POWER IN-FEED" (PART A) IS IN THE SEQUENCE.  
DO NOT PLUG INTO OUTLET IF MORE THAN ONE (PART A) EXISTS.**

**⚠ ADVERTENCIA!**

**RIESGO DE CHOQUE ELECTRICO!**

**NUNCA USE MAS DE UNA ALIMENTACION ELECTRICA (PARTE A).  
ASEGURESE DE QUE BAJO LAS SUPERFICIES DE TRABAJO  
SOLAMENTE UNA ALIMENTACION ELECTRICA (PARTE A) ESTA  
EN SECUENCIA. NO SE CONECTE A LA TOMA DE CORRIENTE SI MAS  
DE UNA (PARTE A) EXISTE.**

2128243 - 321450

Proper product installation, in accordance with these instructions, is the responsibility of the installing agent. If you have any questions concerning these instructions, please call Kimball Office Customer Care.

Kimball®Office

# Four Circuit Ceiling Power In-Feed

## Tools Required

- Philips Screwdriver
- Hacksaw (if necessary)

Figure E

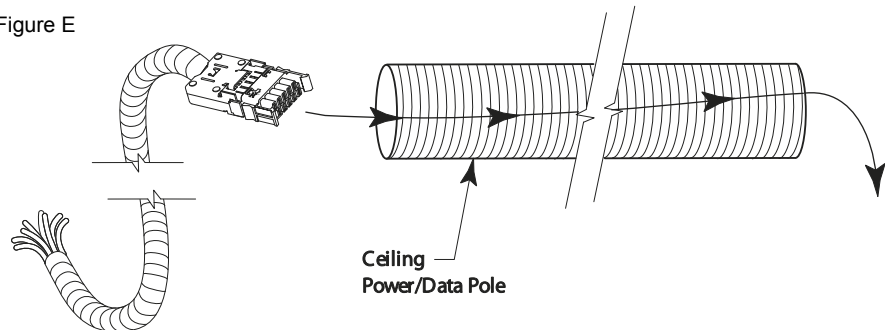
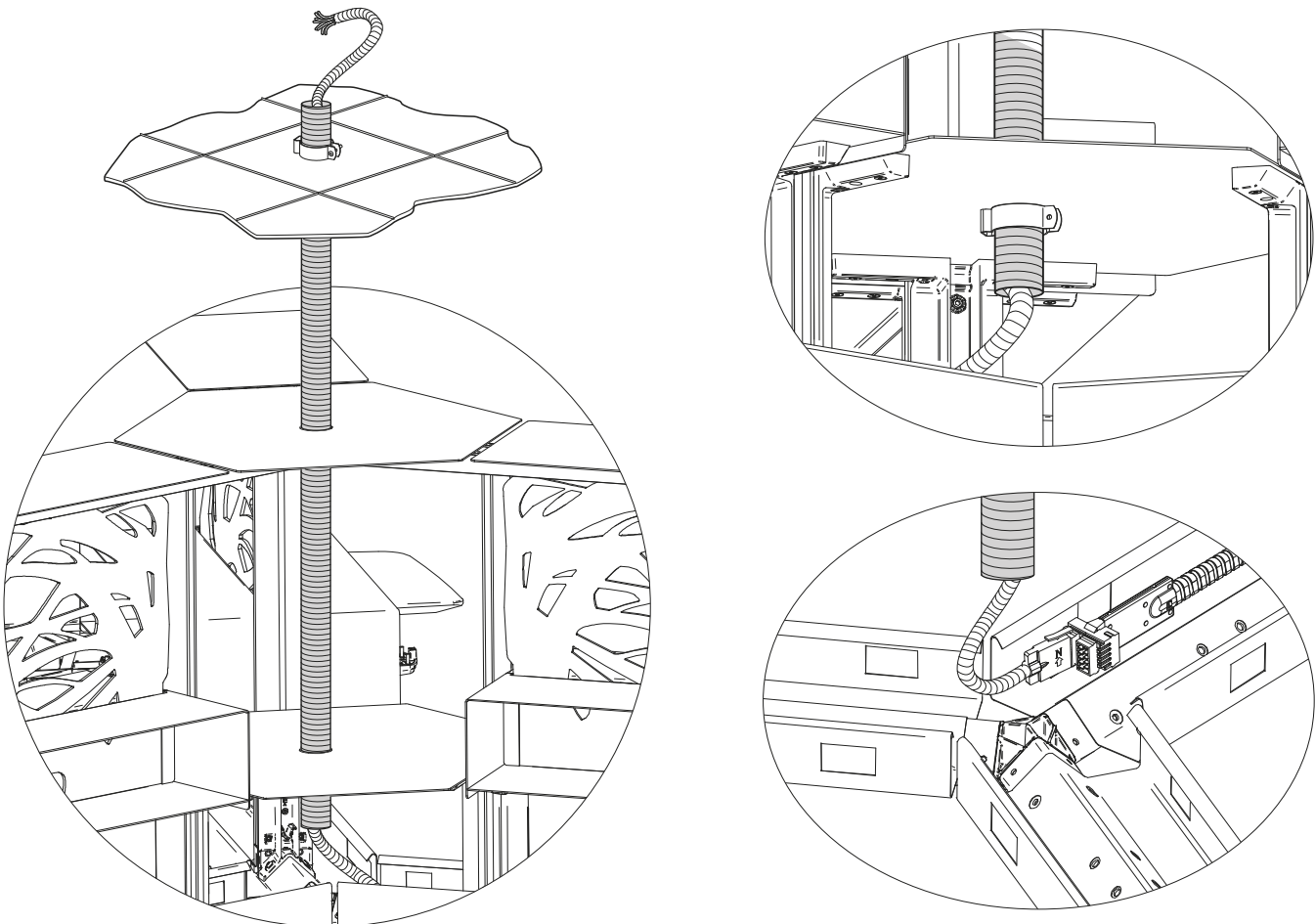


Figure F



**Note:** The installation of the four circuit ceiling power in-feed must be performed by a licensed electrician in accordance with the National Electrical Code and local codes. Reference labels on conduit for wiring diagrams.

**Warning:** Hum electrical components are manufactured to meet UL1286 Requirements. Do not use Cetra, Xsite, or Interworks EQ electrical components with Hum.

Proper product installation, in accordance with these instructions, is the responsibility of the installing agent. If you have any questions concerning these instructions, please call Kimball Office Customer Care.

Kimball®Office

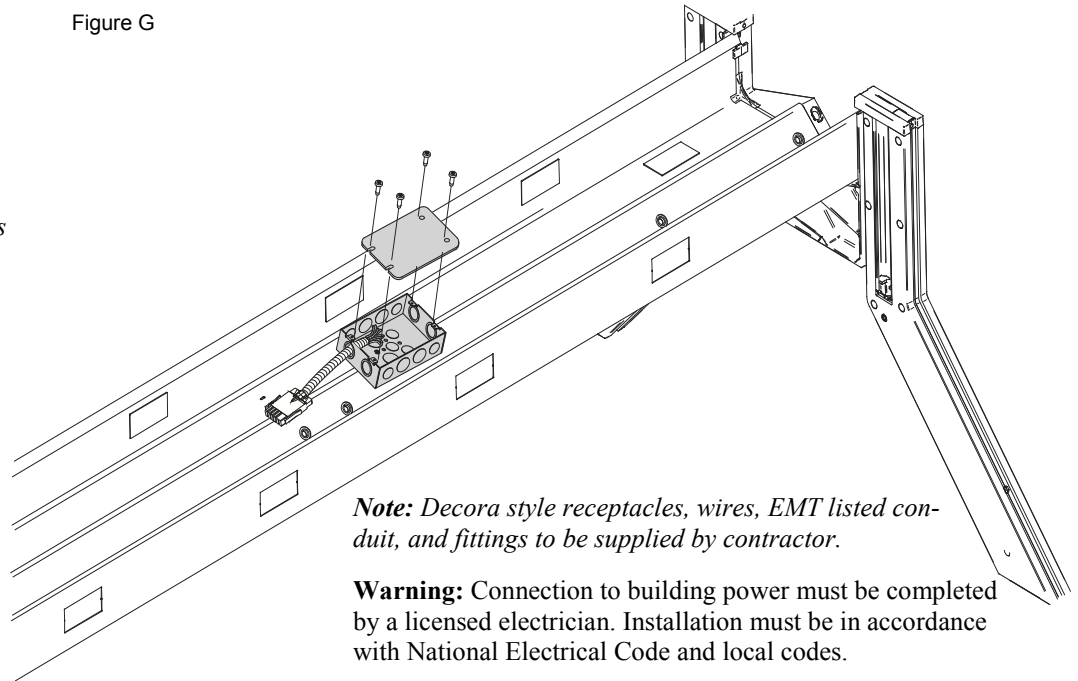
## New York Electrical

### Tools Required

- None

**Note:** Installation must be in accordance with the National Electrical Code and local codes. Electrically interconnected tables need to be mechanically connected.

Figure G



## Hardwire Box Electrical

### Tools Required

- Flathead Screwdriver
- Mallet
- Cordless Drill

**Note:** Installation must be in accordance with the National Electrical Code and local codes. Electrically interconnected tables need to be mechanically connected.

