

Innsbruck

Finishes and Materials:

Wood Finishes

- See page 105 for available finishes for tops and bases.

Special Finishes

- See page 106.

Note: All exterior wood surfaces feature a high quality catalyzed lacquer finish.

Innsbruck tops feature a hand-rubbed, semi-open pore finish with a lustrous sheen.

Statement of Line



Round Tables

- See page 47 to specify.



4-Leg Round Tables

- See page 47 to specify



Racetrack Tops

- See page 47 to specify.

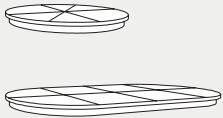


Pedestal Bases

- See page 48 to specify.

Innsbruck

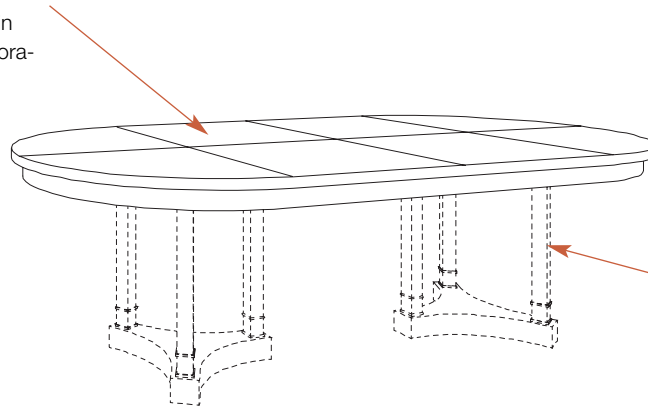
Design Variations:



Round and racetrack table shapes are available.

Overview

Tops feature a figured cherry veneer and plain apron rail without decorative molding overlay.



Innsbruck base features white ash burl veneer on the lower platform.

Features

Wood tops feature a hand-rubbed, semi-open pore finish with a lustrous sheen.



Innsbruck base is specified separately for round or racetrack table tops.

Racetrack tables require two bases.

The number of bases required varies depending on the size and shape of the top.

▶ See appropriate pricing page.



4-leg round conference table is also available. 4-leg base is standard with top.

▶ See page

Finishes & Materials 103

Seating Capacities:

Table size	Number of Chairs
Conference Table Tops	
48" diameter round	5
8' racetrack	8
10' racetrack	10
12' racetrack	12
4-Leg Round Conference Table	
48" diameter	4

Innsbruck

Tables



<i>Diameter</i>	<i>H</i>	<i>Number of Bases Required</i>	<i>Model</i>	<i>Price</i>	
Round Table Top					
48"	3¾"	1	IN48RD	\$3382	
Round 4-Leg Table					
48"	30¼"	Included	IN484RD	\$4082	
Racetrack Table Tops					
48"	96"	3¾"	2	IN4896RC	\$5820
	120"		2	IN48120RC	7972
	144"		2	IN48144RC	9307

Standard:

Round Conference Table Top

- Pie-cut figured cherry veneer top
- Plain apron without decorative molding overlay

4-Leg Round Conference Table

- Pie-cut figured cherry veneer top
- Plain apron without decorative molding overlay
- 4-leg base
- Shipped ready-to-assemble

Racetrack Table Top

- Eight section figured cherry veneer top with reverse diamond match pattern (96"W tops are one piece; 120" and 144"W tops are two pieces).
- Plain apron without decorative molding overlay

Specifying Tips:

- Base must be specified separately for round table top models.

How to Specify:

- ① Model
- ② Finish price group:
STD = Group 1
- ③ Finish designator
MC = Amber Cherry

Sample (base model underlined):

① ② ③
IN48RD STD MC

Innsbruck

Wood Table Bases

▶ See page

Finishes & Materials 103



<i>D</i>	<i>W</i>	<i>H</i>	<i>Number of Bases Required</i>	<i>Model</i>	<i>Price</i>
Table Bases					
29"	29"	29 ¹³ / ₁₆ "	—	IN2930C	\$1695

Specifying Tips:

- For use under round and race-track tops.

How to Specify:

- ① Model
- ② Finish price group:
STD = Group 1
- ③ Finish designator
XF = Oxford

Sample (base model underlined):

① ② ③
IN2930C STD MC

Standard:

- Unfinished upper platform (mounting pad)
- Lower platform: white ash burl veneer