

Statement of Line

Axos executive, conference and side chairs enrich any room or situation in the workplace. Axos combines intuitive controls with an interesting juxtaposition of materials—precisely crafted leather and metal—to achieve perfection in every detail.



High-Back Desk Chairs

► See page 275 to specify.

Height	49"–52¾"
Width	26½"
Depth	29"
Arm height	26"–29¾"
Seat height	16¾"–20¾"
Seat width	19"
Seat depth	18¾"
Kneespace	19¾"



Mid-Back Desk Chairs

► See page 275 to specify.

Height	40"–43¾"
Width	26½"
Depth	29"
Arm height	26"–29¾"
Seat height	16¾"–20¾"
Seat width	19"
Seat depth	18¾"
Kneespace	19¾"



Side Chairs

► See page 276 to specify.

Height	39¾"
Width	24"
Depth	25½"
Arm height	27"
Seat height	18⅞"
Seat width	19"
Seat depth	18¾"
Kneespace	19¾"

Note: Measurements were obtained using the ANSI/BIFMA accepted chair measurement device and process.

Overview

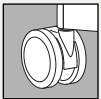
Side Chair Model:



Metal-frame side chairs

feature a 1⁹/₁₆" x 9⁹/₁₆" rectangular tube, cantilever frame. Chrome finish is standard. Back, seat, and arm rest constructions are consistent with Axos desk chairs.

Options:



Black, dual-wheel casters with chrome accents on desk chairs

are 65mm in diameter and available in hard and soft options. Specify hard casters (802) for chairs that will be used on carpeted floors. Specify soft casters (801) for chairs that will be used on hard floors.

Black felt glides are available on side chairs that will be used on hard floors. Upcharge applies.

Integrated headrest on high-back model is upholstered to match back and seat.

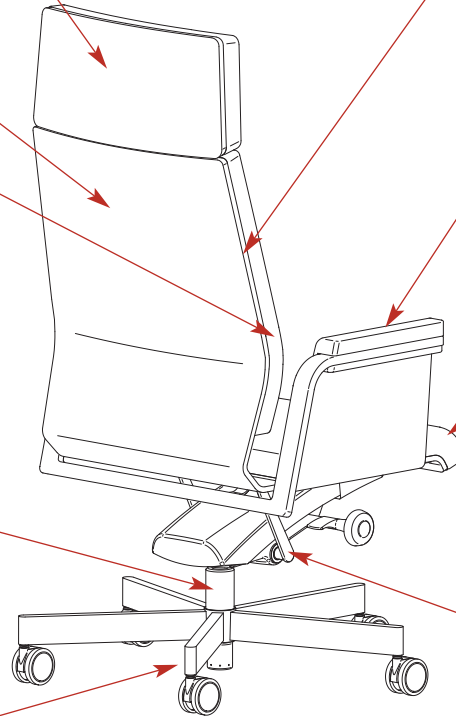
Back cushion and outer back are fully upholstered.

Back cushions are 1³/₈" thick, CFC- and CHC-free molded foam applied over a 3-ply molded plywood panel, covered in specified upholstery.

Fabric or leather upholstery is unglued, ensuring optimal air movement.

Seat height adjusts from 16³/₄" to 20³/₈" via a pneumatic (gas) cylinder.

Five-star base and arm supports are steel; standard with chrome finish.



Shell is a one-piece, 11-ply, molded plywood panel.

Arm rests are made of ABS plastic and are covered in upholstery to match seat and back.

Seat cushions are 1³/₄" thick, CFC- and CHC free molded foam over a 3-ply molded plywood panel, covered in specified upholstery.

Seat mechanism is available in transmotion control or knee-tilt control with locking feature. Anti-kick back feature controls forward movement of the back rest when the lock is disengaged.

Adjustability Features:

Transmotion	○
Knee-tilt	○
Pneumatic height	●
Swivel	●
Tilt tension	●
Back tilt lock	●

● = standard ○ = option

Transmotion control allows the seat and back to move on an arc-shaped curve to provide the body proper support.

Knee-tilt control provides minimal rise of the front edge when reclining, allowing the user's feet to remain firmly on the floor.

Tilt tension control adjusts the amount of resistance the user feels when leaning back.

Weight Rating:

Desk and side chairs are user rated up to 275 lbs.

Axos

Desk Chairs



Model	Kimball Office Upholstery Pattern						Customer's Own	
	<i>King, Globe</i>	<i>Aquarius</i>	<i>Fame</i>	<i>Tinta, Tonica, Bass</i>	<i>Exclusive Leather</i>	<i>Premium Leather</i>	<i>Material (COM)</i>	<i>Leather (COL)</i>
High Back								
<i>Transmotion Control</i>								
K362A	—	\$5004	\$5301	\$5539	\$6046	\$6187	\$4808	\$4878
<i>Knee-Tilt Control</i>								
K364A	—	\$3796	\$4093	\$4331	\$4838	\$4979	\$3600	\$3670
Mid-Back								
<i>Transmotion Control</i>								
K262A	—	\$4487	\$4752	\$4957	\$5405	\$5524	\$4318	\$4388
<i>Knee-Tilt Control</i>								
K264A	—	\$3278	\$3543	\$3748	\$4196	\$4315	\$3109	\$3179

▶ See page

Finishes & Materials	325
Overview	274

Specifying Tips:

- King and Globe upholstery are not available on Axos.
- TB133 fire code treatment is available on select upholstery.
 - ▶ See page 327 for upholstery.
 - ▶ See page 332 for TB133 pricing.

How to Specify:

- ① Model
- ② Upholstery pattern name
- ③ Upholstery color designator
- ④ Finish designator:
2324 = Chrome
- ⑤ Casters:
802 = Hard (for use on carpet)
801 = Soft (for use on hard floors)

Sample (base model underlined):

① ② ③
K362A AQUARIUS 4102
 ④ ⑤
 2324 802

Axos

Side Chairs



Model	Kimball Office Upholstery Pattern						Customer's Own	
	King, Globe	Aquarius	Fame	Tinta, Tonica, Bass	Exclusive Leather	Premium Leather	Material (COM)	Leather (COL)
Mid-Back Cantilever								
K560A	—	\$2070	\$2335	\$2540	\$2988	\$3107	\$1901	\$1971

▶ See page

Finishes & Materials	325
Overview	274

Specifying Tips:

- King and Globe upholstery are not available on Axos.
- TB133 fire code treatment is available on select upholstery.
 - ▶ See page 327 for upholstery.
 - ▶ See page 332 for TB133 pricing.

How to Specify:

- ① Model
- ② Upholstery pattern name
- ③ Upholstery color designator
- ④ Finish designator:
2324 = Chrome
- ⑤ Glides:
821 = Felt (+\$)
X = None

Sample (base model underlined):

K560A ② AQUARIUS ③ 4102
④ 2324 ⑤ 821

Options:

<i>Description</i>	<i>How to Specify</i>	<i>Add \$ to Price</i>
Black felt glides for use on hard floors	Specify 821	+\$35