

Statement of Line

A natural choice for training rooms, conference areas, and cafeterias, this multi-purpose seating line lends a light and friendly mood to nearly any business environment. With a multitude of options and combinations to choose from, Event allows for virtually limitless expression of personality... all with a minimum impact on your budget.

Event:



4-Leg with Arms
Stacking
➤ See page 95 to specify.



4-Leg without Arms
Stacking
➤ See page 95 to specify.



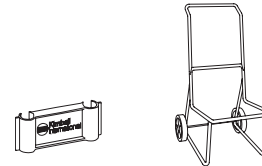
4-Leg with Tablet Arm
Non-stacking
➤ See page 95 to specify.



Sled Base with Arms
Non-stacking
➤ See page 96 to specify.



Sled Base without Arms
Non-stacking
➤ See page 96 to specify.



Ganging Device and Transport Dolly
Dolly accommodates a stack of six chairs.
➤ See pages 95–96 to specify.

Event Mobile:



Mobile 4-Leg with Arms
Stacking
➤ See page 97 to specify.



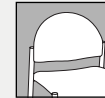
Mobile 4-Leg without Arms
Stacking
➤ See page 97 to specify.

➤ See page

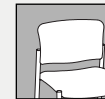
Finishes & Materials	211
Overview	94
Actual Dimensions	94

Back Styles:

The seating models shown in this statement of line are available in the following back styles:



Round Open Back (D)



Flair Open Back (R)

Event

Overview

Design Variations:



4-Leg Sled Base Mobile

Three leg frames are available. Sled base models and tablet arm models are non-stacking.

Note: Sled base should not be used on hard floors for stability reasons and to prevent surface damage.

Two open back shapes are available: round and flair.

▶ See page 93.

Three arm styles are available: with arms, without arms, and with tablet arm (4-leg static only).

Options:

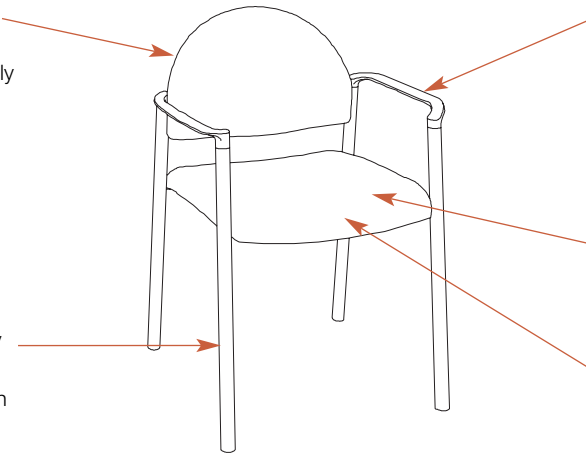


Flat glides are available on 4-leg models for use on textured, soft, or wood surfaces. Glide has a silver-plated top with white nylon pad. Upcharge applies.

Soft casters are available on mobile models. Upcharge applies.

Back and seat are fully upholstered. Seat is tilted back, and the back is slightly reclined to allow the user to assume a more natural, relaxed posture. Seat upholstery is wrapped over the cushions and secured with upholstery staples.

Legs are angled for stability and available in textured powdercoat finish or smooth platinum metallic paint.



Arm caps are injection molded nylon and attached to the frame with a pressure fit. They are color matched to the frame; 501 Platinum metallic finish receives black armcaps.

Cushions are high resilience, CFC-free polyurethane foam. Seat cushion is 1 1/4" thick.

Waterfall front edge slopes forward to reduce pressure and increase circulation in the user's legs.

Features

Legs and sled base frame are 7/8" diameter, 14 gauge tubular steel. Cross members are 3/4" diameter, 14 gauge steel. Leg frames are joined to the cross members with metal inert gas (MIG) welds. End caps are fitted into the frames of armless models; they are plastic on Cinder (black) frames and metal (color coordinated to the frame) on platinum metallic frames.

Black nylon ball glides are standard static 4-leg models. Hard casters are standard on mobile models.

4-leg models and mobile models without arms stack up to 6 chairs high; mobile models with arms stack up to 4 chairs high.

Seat pan is contoured, blow-molded polyethylene. Channels within the seat pan fit over the cross members. Seat pan is attached to the seat frame with four machine screws and T-nuts.

Backs are secured to the frame with 4 countersunk flat-head screws, 11 gauge steel plates, and T-nuts. Round back models are constructed using an injection molded polypropylene panel. Flair back models are constructed using 3/8" thick, 7-ply, molded plywood.

Back upholstery, including 3/4" thick foam for the inside back and 1/4" thick foam for the outside back, is applied to the back as a slipcover and secured with upholstery staples.

Tablet arm, 1/2"x 12 1/4"x 22 1/4", is hinged for easy access. It has a phenolic black core with radius edge and black laminate top and bottom surfaces. Mounted on the right. Tablet-arm models do not stack.

Ganging devices, ordered separately in sets of 5 pairs, are available to gang like models. The 2 1/2"x 5 3/4" polypropylene devices snap onto chair legs. One pair is required to gang two chairs.

Transport dolly is available to move up to six 4-leg chairs at a time. Dolly has a tubular steel frame, green powdercoat finish, and 8" semi-pneumatic ball-bearing wheels. Removable handle allows for storage.

Actual Dimensions:

With Arms	95-2, 95-4, 95-6
Height	31"
Width	23"
Depth	21"
Arm height	25 1/4"
Seat height	18 1/4"
Seat width	18"
Seat depth	17 1/4"
Without Arms	95-1, 95-3, 95-7
Height	31"
Width	20"
Depth	21"
Seat height	18 1/4"
Seat width	18"
Seat depth	17 1/4"
With Tablet Arm	95-5
Height	31"
Width	22 1/4"
Depth	28"
Arm height	27 1/2"
Seat height	18 1/4"
Seat width	18"
Seat depth	17 1/4"
Tablet arm depth	1/2"
Tablet arm width	12 1/4"
Tablet arm length	22 1/4"
Transport Dolly	95-TD
Height	44 3/4"
Width	19"
Depth	32 1/2"

Event

4-Leg Side Chairs

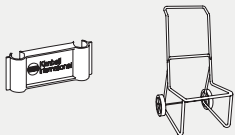
K = Kwik Office model available.
 ▶ See the Kwik Office Price List.



▶ See page 93 for illustrations of back styles.



Related Products:



Model	Price
Ganging Devices (Pkg of 5 pairs)	
95-A K	\$42
Transport Dolly	
95-TD	\$410

Note: One package (5 pairs) of ganging devices will connect 6 chairs.

GSA SIN 711-18

Kimball Office Upholstery Price Grade

Model	1 or COM	2	3 or COL	4	5	6	7	L7	L8
With Arms (stacking) GSA SIN 711-19									
<i>Round Open Back</i>									
95-2D K	\$290	\$316	\$332	\$349	\$373	\$398	\$423	\$527	\$585
<i>Flair Open Back</i>									
95-2R	\$349	\$375	\$391	\$408	\$432	\$457	\$482	\$586	\$644
Without Arms (stacking) GSA SIN 711-19									
<i>Round Open Back</i>									
95-1D K	\$271	\$297	\$313	\$330	\$354	\$379	\$404	\$508	\$566
<i>Flair Open Back</i>									
95-1R	\$321	\$347	\$363	\$380	\$404	\$429	\$454	\$558	\$616
With Tablet Arm (non-stacking) GSA SIN 711-18									
<i>Round Open Back</i>									
95-5D	\$506	\$532	\$548	\$565	\$589	\$614	\$639	\$743	\$801
<i>Flair Open Back</i>									
95-5R	\$506	\$532	\$548	\$565	\$589	\$614	\$639	\$743	\$801

Options:

Description	How to Specify	Add \$ to Price
Contrasting upholstery ▶ See page 226.	Specify different fabrics or leathers for back and seat	Use electronic specification tool for accurate pricing.
Platinum metallic paint	Specify STD for frame paint price group and specify 501	+10%
Note: Upcharge is calculated on the Grade 1 upholstery price, then added to the price for the selected fabric grade, to arrive at the list price.		
Flat floor glides	Specify C8	+\$17

Kimball Office Seating

** Effective November 15, 2011 **

Page 95

Event

GSA SIN (see below)

▶ See page

Finishes & Materials	211
COM/COL Yardage Req.	247
Alliance Program Pricing	98

Specifying Tips:

- Vinyl upholstery may result in gathers and puckers.
- TB133 fire code treatment is available on select upholstery.
 ▶ See page 219 for upholstery.
 ▶ See page 258 for TB133 pricing.
 ▶ See page 267 for COM or COL.
- Chairs are shipped three to a carton when applicable.

How to Specify:

- Model
 - Back:**
 - Upholstery grade
 - Upholstery number
 - Seat:**
 - Upholstery grade
 - Upholstery number
 - Frame:**
 - Paint price group:
STD = Non-metallic paint
STDM = Metallic paint (+\$)
 - Paint designator:
462 = Cinder
501 = Platinum Metallic
 - Glides:
STD = Nylon ball glides
C8 = Flat glides (+\$)
- Sample (base model underlined):
95-2D ① 20020 ② 20020 ③ ④ ⑤ ⑥ STD
 ⑦ ⑧
 462 STD

Event

Sled Base Side Chairs



➤ See page 93 for illustrations of back styles.



Related Products:



Model	Price
Ganging Devices (Pkg of 5 pairs)	
95-A 	\$42

Note: One package (5 pairs) of ganging devices will connect 6 chairs.

Model	Kimball Office Upholstery Price Grade								
	1 or COM	2	3 or COL	4	5	6	7	L7	L8
With Arms (non-stacking)									
<i>Round Open Back</i>									
95-4D	\$404	\$430	\$446	\$463	\$487	\$512	\$537	\$641	\$699
<i>Flair Open Back</i>									
95-4R	\$404	\$430	\$446	\$463	\$487	\$512	\$537	\$641	\$699
Without Arms (non-stacking)									
<i>Round Open Back</i>									
95-3D	\$375	\$401	\$417	\$434	\$458	\$483	\$508	\$612	\$670
<i>Flair Open Back</i>									
95-3R	\$375	\$401	\$417	\$434	\$458	\$483	\$508	\$612	\$670

Options:

Description	How to Specify	Add \$ to Price
Contrasting upholstery ➤ See page 226.	Specify different fabrics or leathers for back and seat	Use electronic specification tool for accurate pricing.
Platinum metallic paint	Specify STD for frame paint price group and specify 501	+10%

Note: Upcharge is calculated on the Grade 1 upholstery price, then added to the price for the selected fabric grade, to arrive at the list price.

➤ See page

Finishes & Materials	211
COM/COL Yardage Req.	247
Alliance Program Pricing	98

Specifying Tips:

- Vinyl upholstery may result in gathers and puckers.
- TB133 fire code treatment is available on select upholstery.
 - See page 219 for upholstery.
 - See page 258 for TB133 pricing.
 - See page 267 for COM or COL.
- Chairs are shipped three to a carton when applicable.

How to Specify:

- Model
- Back:**
 - Upholstery grade
 - Upholstery number
- Seat:**
 - Upholstery grade
 - Upholstery number
- Frame:**
 - Paint price group:
 - STD** = Non-metallic paint
 - STD**M = Metallic paint (+\$)
 - Paint designator:
 - 462** = Cinder
 - 501** = Platinum Metallic

Sample (base model underlined):
 ① ② ③ ④ ⑤ ⑥
95-4D 2 20020 2 20020 STD
 ⑦
 462

Mobile Side Chairs

K = Kwik Office model available.
 ▶ See the Kwik Office Price List.

▶ See page

Finishes & Materials	211
COM/COL Yardage Req.	247
Alliance Program Pricing	98



▶ See page 93 for illustrations of back styles.



Kimball Office Upholstery Price Grade

Model	1 or COM	2	3 or COL	4	5	6	7	L7	L8
Mobile 4-Leg Chairs with Arms (stacking)									
<i>Round Open Back</i>									
95-6D K	\$337	\$363	\$379	\$396	\$420	\$445	\$470	\$574	\$632
<i>Flair Open Back</i>									
95-6R	\$414	\$440	\$456	\$473	\$497	\$522	\$547	\$651	\$709
Mobile 4-Leg Chairs without Arms (stacking)									
<i>Round Open Back</i>									
95-7D K	\$318	\$344	\$360	\$377	\$401	\$426	\$451	\$555	\$613
<i>Flair Open Back</i>									
95-7R	\$386	\$412	\$428	\$445	\$469	\$494	\$519	\$623	\$681

Options:

Description	How to Specify	Add \$ to Price
Contrasting upholstery ▶ See page 226.	Specify different fabrics or leathers for back and seat	Use electronic specification tool for accurate pricing.
Platinum metallic paint	Specify STD M for frame paint price group and specify 501	+10%
<i>Note: Upcharge is calculated on the Grade 1 upholstery price, then added to the price for the selected fabric grade, to arrive at the list price.</i>		
Soft casters for use on hard floors	Specify C4	+\$23

Specifying Tips:

- Vinyl upholstery may result in gathers and puckers.
- TB133 fire code treatment is available on select upholstery.
 ▶ See page 219 for upholstery.
 ▶ See page 258 for TB133 pricing.
 ▶ See page 267 for COM or COL.
- Chairs are shipped three to a carton when applicable.

How to Specify:

- Model
- Back:**
 - Upholstery grade
 - Upholstery number
- Seat:**
 - Upholstery grade
 - Upholstery number
- Frame:**
 - Paint price group:
STD = Non-metallic paint
STDM = Metallic paint (+\$)
 - Paint designator:
462 = Cinder
501 = Platinum Metallic
- Casters:
C3 = Hard casters
C4 = Soft casters (+\$)

Sample (base model underlined):
 ① ② ③ ④ ⑤ ⑥
95-6D 2 20020 2 20020 STD
 ⑦ ⑧
 462 C3

Event

IMPORTANT: Orders cannot be cancelled for chairs specified with Alliance Program upholstery.

with Alliance Program Upholstery

Alliance Upholstery Price Grade

Model	A	B	C	D	E	F	G	H	I
	J	K	L	M	N	O	P	Q	R
4-Leg									
95-1D	\$310	\$328	\$343	\$356	\$374	\$392	\$403	\$422	\$440
	456	484	541	577	582	590	600	608	646
95-1R	360	378	393	406	424	442	453	472	490
	506	534	591	627	632	640	650	658	696
95-2D	329	347	362	375	393	411	422	441	459
	475	503	560	596	601	609	619	627	665
95-2R	388	406	421	434	452	470	481	500	518
	534	562	619	655	660	668	678	686	724
95-5D	545	563	578	591	609	627	638	657	675
	691	719	776	812	817	825	835	843	881
95-5R	545	563	578	591	609	627	638	657	675
	691	719	776	812	817	825	835	843	881

Options:

Description	How to Specify	Add \$ to Price
Contrasting upholstery ▶ See page 226.	Specify different fabrics or leathers for back and seat	Use electronic specification tool for accurate pricing.
Platinum metallic paint	Specify STDM for frame paint price group and specify 501	+10%
<i>Note: Upcharge is calculated on the Grade upholstery price, then added to the price for the selected fabric grade, to arrive at the list price.</i>		
Flat floor glides	Specify C8	+\$17

How to Specify:

- ① Model
 - ② Alliance partner designator and upholstery grade:
CAR[grade] = Carnegie
KNL[grade] = KnollTextiles
MHM[grade] = Maharam
MAF[grade] = Mayer Fabrics
 - ③ Upholstery number
 - ④ Alliance partner designator and upholstery grade (see above)
 - ⑤ Upholstery number
 - ⑥ Paint price group:
STD = Non-metallic paint
STDM = Metallic paint (+\$)
 - ⑦ Paint designator:
462 = Cinder
501 = Platinum Metallic
 - ⑧ Glides:
STD = Nylon ball glides
C8 = Flat glides (+\$)
- Sample (base model underlined):
- ① ② ③
95-1D CARJ 6136_10
 ④ ⑤ ⑥ ⑦ ⑧
 CARJ 6136_10 STD 462 STD

IMPORTANT: Orders cannot be cancelled for chairs specified with Alliance Program upholstery.

with Alliance Program Upholstery, continued

Model	Alliance Upholstery Price Grade									
	A	B	C	D	E	F	G	H	I	
	J	K	L	M	N	O	P	Q	R	
Sled-Base										
95-3D	\$414	\$432	\$447	\$460	\$478	\$496	\$507	\$526	\$544	
	560	588	645	681	686	694	704	712	750	
95-3R	414	432	447	460	478	496	507	526	544	
	560	588	645	681	686	694	704	712	750	
95-4D	443	461	476	489	507	525	536	555	573	
	589	617	674	710	715	723	733	741	779	
95-4R	443	461	476	489	507	525	536	555	573	
	589	617	674	710	715	723	733	741	779	

Options:

Description	How to Specify	Add \$ to Price
Contrasting upholstery ▶ See page 226.	Specify different fabrics or leathers for back and seat	Use electronic specification tool for accurate pricing.
Platinum metallic paint	Specify STDM for frame paint price group and specify 501	+10%

Note: Upcharge is calculated on the Grade upholstery price, then added to the price for the selected fabric grade, to arrive at the list price.

How to Specify:

- ① Model
- ② Alliance partner designator and upholstery grade:
CAR[grade] = Carnegie
KNL[grade] = KnollTextiles
MHM[grade] = Maharam
MAF[grade] = Mayer Fabrics
- ③ Upholstery number
- ④ Alliance partner designator and upholstery grade (see above)
- ⑤ Upholstery number
- ⑥ Paint price group:
STD = Non-metallic paint
STDM = Metallic paint (+\$)
- ⑦ Paint designator:
462 = Cinder
501 = Platinum Metallic

Sample (base model underlined):

① ② ③
95-3D CARJ 6136_10
 ④ ⑤ ⑥ ⑦
 CARJ 6136_10 STD 462

Event

IMPORTANT: Orders cannot be cancelled for chairs specified with Alliance Program upholstery.

with Alliance Program Upholstery, continued

Model	Alliance Upholstery Price Grade									
	A	B	C	D	E	F	G	H	I	
	J	K	L	M	N	O	P	Q	R	
Mobile										
95-6D	\$376	\$394	\$409	\$422	\$440	\$458	\$469	\$488	\$506	
	522	550	607	643	648	656	666	674	712	
95-6R	453	471	486	499	517	535	546	565	583	
	599	627	684	720	725	733	743	751	789	
95-7D	357	375	390	403	421	439	450	469	487	
	503	531	588	624	629	637	647	655	693	
95-7R	425	443	458	471	489	507	518	537	555	
	571	599	656	692	697	705	715	723	761	

Options:

Description	How to Specify	Add \$ to Price
Contrasting upholstery ▶ See page 226.	Specify different fabrics or leathers for back and seat	Use electronic specification tool for accurate pricing.
Platinum metallic paint	Specify STDM for frame paint price group and specify 501	+10%
<i>Note: Upcharge is calculated on the Grade 1 upholstery price, then added to the price for the selected fabric grade, to arrive at the list price.</i>		
Soft casters on mobile models for use on hard floors	Specify C4	+\$23

How to Specify:

- ① Model
- ② Alliance partner designator and upholstery grade:
CAR[grade] = Carnegie
KNL[grade] = KnollTextiles
MHM[grade] = Maharam
MAF[grade] = Mayer Fabrics
- ③ Upholstery number
- ④ Alliance partner designator and upholstery grade (see above)
- ⑤ Upholstery number
- ⑥ Paint price group:
STD = Non-metallic paint
STDM = Metallic paint (+\$)
- ⑦ Paint designator:
462 = Cinder
501 = Platinum Metallic
- ⑧ Casters:
C3 = Hard casters
C4 = Soft casters (+\$)

Sample (base model underlined):

① ② ③
95-6D CARJ 6136_10
 ④ ⑤ ⑥ ⑦ ⑧
 CARJ 6136_10 STD 462 C3