

Statement of Line

Stature is excellent comfort, sleek styling, outstanding craftsmanship and general purpose functionality at an advantageous price point. Stature goes everywhere, with wood and non-wood models, desk and side chairs, to complement nearly any interior.



High Back with Wood Base and Arms
Available with or without accent/header.
▶ See page 150 to specify.



High Back with Black Base and Arms
Available with or without accent/header.
▶ See page 150 to specify.



Mid-Back with Wood Base and Arms
Available with or without accent/header.
▶ See page 150 to specify.



Mid-Back with Black Base and Arms
Available with or without accent/header.
▶ See page 150 to specify.



Side Chair with Wood Frame
Available with or without accent/header.
▶ See page 151 to specify.



Side Chair with Black Metal Frame
Available with or without accent/header.
▶ See page 151 to specify.

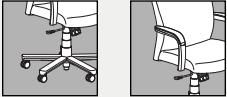
▶ See page

Finishes & Materials	211
Overview	148
Actual Dimensions	149

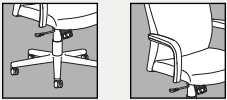
Stature

Overview

Design Variations:



Wood base and arms



Black resin base and arms

Two arm/base styles are available on desk chairs: wood or black urethane. Shroud and controls are black.



Accent/header is available on desk and side chairs. Contrasting upholstery is an option.

Options:

Soft dual-wheel casters are available and should be specified for use on hard floors. Casters are black. Upcharge applies.

Outer back is fully upholstered.

Back cushion is high resiliency, CFC-free, polyurethane foam.

Hardwood base caps are kiln-dried maple supported by a rigid steel substructure.

Black, glass-filled nylon base is textured for scuff resistance.

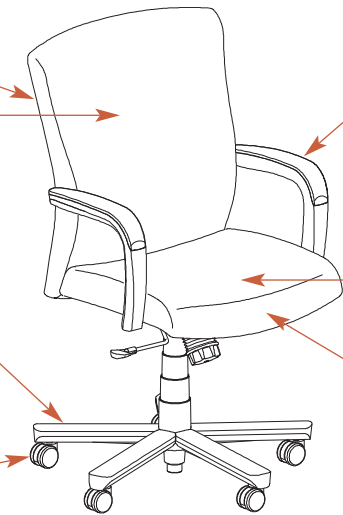
Hard, black, dual-wheel casters for use on carpeted floors are standard.

Features

Contoured back shell is blow-molded polyethylene.

Seat rails on side chairs are 3/4" diameter (outside), 14-gauge tubular steel.

Metal-frame side chairs use 1 1/8" diameter, 13 gauge steel tubing and feature a black, textured powdercoat. Frame components are welded together using a precision weld fixture to ensure accuracy and rigidity. Arms have black urethane caps.



Arms on desk chairs are offered in kiln-dried maple with black urethane caps on models with wood bases, or soft urethane insert-molded over a steel core on models with a black nylon base.

Seat cushion is CFC-free molded urethane foam.

Waterfall front edge slopes forward to reduce pressure and increase circulation for the user's legs.

Hardwood-frame side chairs are kiln-dried maple. Joints are double doweled and glued to ensure maximum strength. Frame assembly is mounted in holes bored into the leg and secured with steel brackets and wood screws.

Back is upholstered using a slipcover-style upholstery technique.

Seat pan is contoured, blow-molded polyethylene. Channels within the seat pan fit over the metal seat rails on side chair frame and the control mechanism of desk chair.

Seat is upholstered using a pull-around upholstery technique.

Cushions are 2" thick on the seat and 1 1/2" thick on the back.

Arms of desk chairs are attached to the seat with a steel support bracket and 1/4" diameter machine screws.

Glides on wood frame side chair are dome-shaped plastic and 7/8" in diameter.

Glides on metal frame side chair are nylon ball inserts and 1 1/8" in diameter.

Adjustability Features:

	Desk Chair
Knee tilt and upright back lock	•
Tilt tension	•
Swivel	•
Pneu. height	•

• = standard

Knee-tilt control provides minimal rise of the front edge of the seat when reclining. Back may be locked in a full upright position by pushing pneumatic height adjustment lever inward. Recommended for users weighing 225 lbs. or less.

Tilt tension control adjusts the amount of resistance the user feels when leaning back.

Pneumatic height adjustment allows user to raise or lower the seat height with a control lever while seated. Upward movement of lever located beneath the seat activates a gas cylinder to quickly adjust the chair.

Note: Tailstock bracket allows the back upright to fasten directly to the control mechanism for added support and rigidity. Back upright mounting plate is 10-gauge metal.

Stature

Actual Dimensions

Side Chairs:



Wood

Metal

	Wood	Metal
Model	K11EE K11FF	K30EE K30FF
Height	35 ¹ / ₈ "	35"
Width	26 ³ / ₈ "	24 ¹ / ₄ "
Depth	25 ¹ / ₄ "	25 ³ / ₄ "
Arm height	27 ⁵ / ₈ "	27"
Seat height	18"	18 ¹ / ₂ "
Seat width	20 ¹ / ₂ "	20 ¹ / ₄ "
Seat depth	18"	18"
Kneespace	20 ¹ / ₂ "	20 ¹ / ₂ "

Note: Stature seating models are dimensionally consistent. Measurements were obtained using the ANSI/BIFMA accepted chair measurement device and process.



High Back with Wood Base and Arms



High Back with Black Base and Arms



Mid-Back with Wood Base and Arms



Mid-Back with Black Base and Arms

	High Back with Wood Base and Arms	High Back with Black Base and Arms	Mid-Back with Wood Base and Arms	Mid-Back with Black Base and Arms
Model	K11AA & K11BB	K30AA & K30BB	K11CC & K11DD	K30CC & K30DD
Height	38 ¹ / ₈ "–43 ¹ / ₈ "	38 ¹ / ₄ "–42 ³ / ₄ "	34 ³ / ₄ "–39 ³ / ₄ "	34 ³ / ₄ "–39 ¹ / ₄ "
Width	26 ³ / ₈ "	25 ¹ / ₄ "	26 ³ / ₈ "	25 ¹ / ₄ "
Depth	26 ³ / ₈ "	27"	25 ¹ / ₂ "	27"
Arm height	26 ⁵ / ₈ "–31 ³ / ₈ "	26"–30 ³ / ₄ "	26 ⁵ / ₈ "–31 ³ / ₈ "	26"–30 ³ / ₄ "
Seat height	16 ¹ / ₂ "–21 ¹ / ₂ "	17"–21 ¹ / ₄ "	16 ¹ / ₂ "–21 ¹ / ₂ "	17"–21 ¹ / ₄ "
Seat width	20 ¹ / ₂ "	20 ¹ / ₂ "	20 ¹ / ₂ "	20 ¹ / ₂ "
Seat depth	18"	18"	18"	18"
Kneespace	20 ³ / ₈ "	20 ³ / ₈ "	20 ³ / ₈ "	20 ³ / ₈ "

Note: Dimensions are the same for models with accent/headers.

Desk Chairs

K = Kwik Office model available.
 ▶ See the Kwik Office Price List.

▶ See page

Finishes & Materials	211
COM/COL Yardage Req.	249
Alliance Program Pricing	152

Kimball Office Upholstery Price Grade

Model 1 or COM 2 3 or COL 4 5 6 7 L7 L8

High Back Desk Chairs

Wood Base and Arms

K11AA K	\$1222	\$1268	\$1297	\$1328	\$1369	\$1414	\$1459	\$1643	\$1747
-----------------------	--------	--------	--------	--------	--------	--------	--------	--------	--------

Black Base and Arms

K30AA	\$926	\$972	\$1001	\$1032	\$1073	\$1118	\$1163	\$1347	\$1451
--------------	-------	-------	--------	--------	--------	--------	--------	--------	--------

High Back Desk Chairs with Accent/Header

Wood Base and Arms

K11BB	\$1363	\$1412	\$1443	\$1475	\$1519	\$1567	\$1615	\$1810	\$1921
--------------	--------	--------	--------	--------	--------	--------	--------	--------	--------

Black Base and Arms

K30BB	\$1066	\$1115	\$1146	\$1178	\$1222	\$1270	\$1318	\$1513	\$1624
--------------	--------	--------	--------	--------	--------	--------	--------	--------	--------

Mid-Back Desk Chairs

Wood Base and Arms

K11CC K	\$1165	\$1206	\$1231	\$1257	\$1294	\$1333	\$1372	\$1533	\$1624
-----------------------	--------	--------	--------	--------	--------	--------	--------	--------	--------

Black Base and Arms

K30CC	\$905	\$946	\$971	\$997	\$1034	\$1073	\$1112	\$1273	\$1364
--------------	-------	-------	-------	-------	--------	--------	--------	--------	--------

Mid-Back Desk Chairs with Accent/Header

Wood Base and Arms

K11DD	\$1308	\$1352	\$1379	\$1407	\$1446	\$1488	\$1530	\$1703	\$1800
--------------	--------	--------	--------	--------	--------	--------	--------	--------	--------

Black Base and Arms

K30DD	\$1047	\$1091	\$1118	\$1146	\$1185	\$1227	\$1269	\$1442	\$1539
--------------	--------	--------	--------	--------	--------	--------	--------	--------	--------

Options:

Description	How to Specify	Add \$ to Price
Soft dual-wheel casters for use on hard floors	Specify C2 for black base models or C4 for wood base models	+\$23



Note: Illustrations show chairs with wood base/frame.


Specifying Tips:

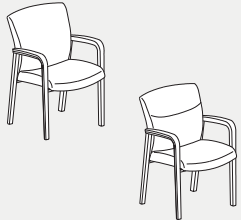
- TB133 fire code treatment is available on select upholstery.
 - ▶ See page 219 for upholstery.
 - ▶ See page 261 for TB133 pricing.
 - ▶ See page 267 for COM or COL.

How to Specify:


- Model
 - Accent/Header (omit for chairs without accent/header):
 - Upholstery grade
 - Upholstery number
 - Chair Upholstery:
 - Upholstery grade
 - Upholstery number
 - Wood base/frame: (omit for black base/frame models):
 - Finish price group:
 - STD** = Group 1
 - Finish designator
 - Casters:
 - C1** = Hard for black base
 - C2** = Soft for black base (+\$)
 - C3** = Hard for wood base
 - C4** = Soft for wood base (+\$)
- Sample (base model underlined):
- K11BB 2 20020 2 20020
 ⑥ ⑦ ⑧
 STD MC C3

Side Chairs

 = Kwik Office model available.
 ▶ See the Kwik Office Price List.



Note: Illustrations show chairs with wood base/frame.

Model	Kimball Office Upholstery Price Grade									
	1 or COM	2	3 or COL	4	5	6	7	L7	L8	
Side Chairs										
<i>Wood Frame</i>										
K11EE 	\$894	\$935	\$960	\$986	\$1023	\$1062	\$1101	\$1262	\$1353	
<i>Black Metal Frame</i>										
K30EE	\$731	\$772	\$797	\$823	\$860	\$899	\$938	\$1099	\$1190	
Side Chairs with Accent/Header										
<i>Wood Frame</i>										
K11FF	\$1038	\$1082	\$1109	\$1137	\$1176	\$1218	\$1260	\$1433	\$1530	
<i>Black Metal Frame</i>										
K30FF	\$869	\$913	\$940	\$968	\$1007	\$1049	\$1091	\$1264	\$1361	

▶ See page

Finishes & Materials	211
COM/COL Yardage Req.	249
Alliance Program Pricing	152

Specifying Tips:

- TB133 fire code treatment is available on select upholstery.
 - ▶ See page 219 for upholstery.
 - ▶ See page 261 for TB133 pricing.
 - ▶ See page 267 for COM or COL.

How to Specify:

- Model
- Accent/Header** (omit for chairs without accent/header):
- Upholstery grade
- Upholstery number
- Chair Upholstery:**
 - Upholstery grade
 - Upholstery number
- Wood base/frame:** (omit for black base/frame models):
- Finish price group:
 - STD** = Group 1
- Finish designator

Sample (base model underlined):

K11EE ^① ^② ^③ ^④ ^⑤ 2 20020 2 20020
^⑥ ^⑦
 STD MC

Stature

with Alliance Program Upholstery

IMPORTANT: Orders cannot be cancelled for chairs specified with Alliance Program upholstery.

Alliance Upholstery Price Grade

Model	A	B	C	D	E	F	G	H	I
	J	K	L	M	N	O	P	Q	R
Desk Chairs									
K11AA	\$1292	\$1323	\$1350	\$1374	\$1404	\$1436	\$1457	\$1491	\$1523
	1552	1601	1702	1766	1774	1790	1806	1822	1889
K11BB	1438	1470	1499	1525	1557	1591	1613	1649	1683
	1713	1766	1873	1941	1950	1967	1984	2001	2072
K11CC	1227	1253	1277	1298	1325	1353	1371	1400	1428
	1453	1497	1585	1641	1648	1662	1676	1690	1749
K11DD	1374	1403	1428	1451	1479	1509	1529	1560	1590
	1617	1664	1758	1818	1826	1841	1856	1871	1934
K30AA	996	1027	1054	1078	1108	1140	1161	1195	1227
	1256	1305	1406	1470	1478	1494	1510	1526	1593
K30BB	1141	1173	1202	1228	1260	1294	1316	1352	1386
	1416	1469	1576	1644	1653	1670	1687	1704	1775
K30CC	967	993	1017	1038	1065	1093	1111	1140	1168
	1193	1237	1325	1381	1388	1402	1416	1430	1489
K30DD	1113	1142	1167	1190	1218	1248	1268	1299	1329
	1356	1403	1497	1557	1565	1580	1595	1610	1673

Options:

Description	How to Specify	Add \$ to Price
Soft dual-wheel casters for use on hard floors	Specify C2 for black base models or C4 for wood base models	+\$23

Kimball Office Seating

** Effective November 15, 2011 **

Page 152

Specifying Tips:

- TB133 fire code treatment is available on select upholstery.
- ▶ See page 267 for program overview.

How to Specify:

- Model
- Accent/Header** (omit for chairs without accent/header):
- Alliance partner designator and upholstery grade:
CAR[grade] = Carnegie
KNL[grade] = KnollTextiles
MHM[grade] = Maharam
MAF[grade] = Mayer Fabrics
- Upholstery number
- Chair Upholstery:**
- Alliance partner designator and upholstery grade (see above)
- Upholstery number
- Wood base/frame** (omit for black base models):
- Finish price group:
STD = Group 1
- Finish designator
- Casters:
C1 = Hard for black base
C2 = Soft for black base (+\$)
C3 = Hard for wood base
C4 = Soft for wood base (+\$)

Sample (base model underlined):

① ② ③
K11DD CARJ 6136_10
 ④ ⑤ ⑥ ⑦ ⑧
 CARJ 6136_13 STD MC C3

Stature

IMPORTANT: Orders cannot be cancelled for chairs specified with Alliance Program upholstery.

with Alliance Program Upholstery, continued

Model	Alliance Upholstery Price Grade									
	A	B	C	D	E	F	G	H	I	
	J	K	L	M	N	O	P	Q	R	
Side Chairs										
K11EE	\$956	\$982	\$1006	\$1027	\$1054	\$1082	\$1100	\$1129	\$1157	
	1182	1226	1314	1370	1377	1391	1405	1419	1478	
K11FF	1104	1133	1158	1181	1209	1239	1259	1290	1320	
	1347	1394	1488	1548	1556	1571	1586	1601	1664	
K30EE	793	819	843	864	891	919	937	966	994	
	1019	1063	1151	1207	1214	1228	1242	1256	1315	
K30FF	935	964	989	1012	1040	1070	1090	1121	1151	
	1178	1225	1319	1379	1387	1402	1417	1432	1495	

Specifying Tips:

- TB133 fire code treatment is available on select upholstery. See page 267 for program overview.

How to Specify:

- Model
- Accent/Header** (omit for chairs without accent/header):
- Alliance partner designator and upholstery grade:
CAR[grade] = Carnegie
KNL[grade] = KnollTextiles
MHM[grade] = Maharam
MAF[grade] = Mayer Fabrics
- Upholstery number
- Chair Upholstery:**
- Alliance partner designator and upholstery grade (see above)
- Upholstery number
- Wood base/frame** (omit for black base models):
- Finish price group:
STD = Group 1
- Finish designator

Sample (base model underlined):

K11EE ^① ^② ^③ CARJ 6136_10
^④ ^⑤ ^⑥ ^⑦ CARJ 6136_13 STD MC

Stature