

Complementary Furniture

Statement of Line

Finishes and Materials:

Standard Group 1 Veneer

- Cherry
- Maple
- Walnut

➤ See page 105 for finish selections.

Standard Group 2 Veneer

- Sapele

➤ See page 105 for finish selections.

Special Finishes

➤ See page 106.

Laminates (top only)

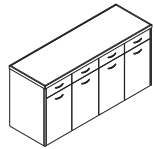
Matching woodgrain laminate is also available on select finishes.

➤ See page 109.

Note: All exterior wood surfaces feature our Pura® finish. Pura is a proprietary, water-based, ultraviolet (UV) wood finish that has virtually no volatile organic compounds (VOCs).

➤ See page 108.

Tops on credenzas, carts, and stands feature a semi-open pore, non-rubbed finish with a satin (N) or gloss (R) sheen.



Buffet Credenzas

➤ See page 98 to specify.



Utility/AV Cart

➤ See page 99 to specify.



Serving Cart

➤ See page 99 to specify.



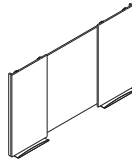
Hospitality Cart

➤ See page 99 to specify.



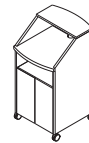
Telephone Stand

➤ See page 99 to specify.



Visual Board with Sliding Doors

➤ See page 100 to specify.



Floor Lectern

➤ See page 101 to specify.

➤ See page

Finishes & Materials 103

Overview 96

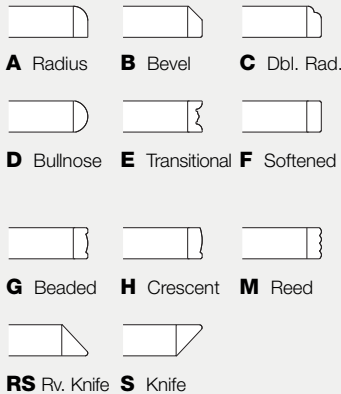
Locking Information 97

Complementary Furniture

Overview

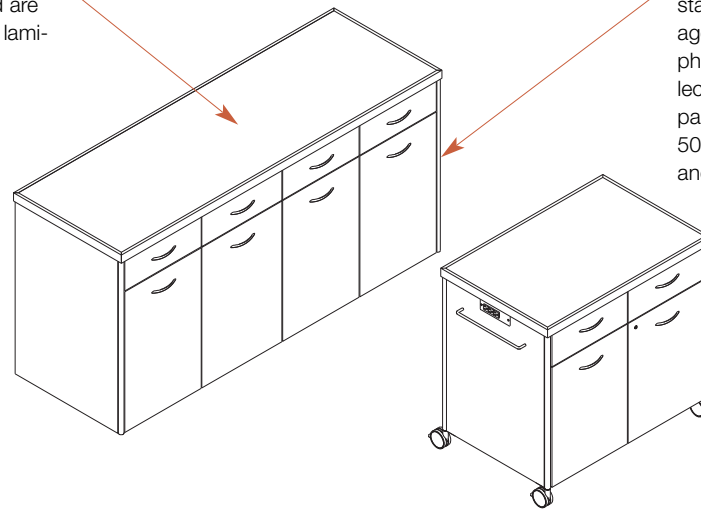
Rim Profiles:

Rims are designed to match rim shapes offered on other Kimball Office casegoods and systems products. All rims are wood.



Note: Knife (S) and reverse knife (RS) rim profiles on vertical storage units, buffet credenzas, utility/AV cart, and hospitality cart are on the front edge only; sides and back are flat. All other rim profiles are on all four sides of top.

Tops on credenzas, carts and telephone stand are available in wood or laminate with wood rim.



Metal corner posts are standard on vertical storage, credenzas, carts, telephone stand, and floor lectern. Available in three paint colors: 462 Cinder, 501 Platinum Metallic, and 503 Satin Nickel.

Features

Buffet credenzas lower left compartment features a pull-out door with black trash disposal container.

Utility/AV cart is a multi-functional unit that serves as a serving cart, projector stand, or mobile TV cart. Lower section is locking.

Floor lectern includes an adjustable shelf behind a non-locking hinged door. Presentation surface includes a cut-out for cable management.

Telephone stand features a hinged drop-leaf surface on both sides that extends 61/2". There is one adjustable shelf behind locking hinged door.

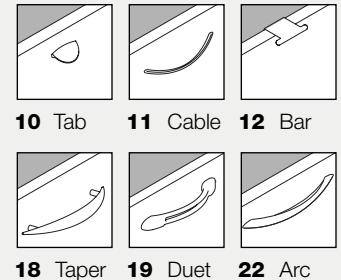
Hospitality cart includes two box drawers and silverware organizer. Lower left compartment features a pull-out door with black trash disposal container. Lower right section is locking. Power strip, located on left side of cart, includes three power outlets and a 10' cord. Black grommet for routing cord is located in the back panel.

Locking is standard on utility/AV cart, hospitality cart, and telephone stand. Locks are available keyed randomly or keyed specific. Specify lock cores separately for key specific option.

➤ See page 97 for lock information.

Drawer suspensions feature black, precision steel ball bearings to ensure long lasting, quiet, and smooth operation. Box drawers are 3/4 extension and have a 75 lb. load rating.

Pull Options:



Pull Finishes:

CM Carbon Metallic
MB Matte Black
SN Satin Nickel
PL Platinum Metallic
Note: Platinum Metallic available on Arc (22), Ellipse (23), Buckle (24), and Band (25) pulls only.

Note: Specify pull option and finish together in one step.

Example:

10MB = Tab pull, matte black

Complementary Furniture

Locking Information

Keying Options:

Locking storage units can be specified with either the key random or key specific option. Exception: Kwik Office models come standard as key random.

Installing and Changing Locks:

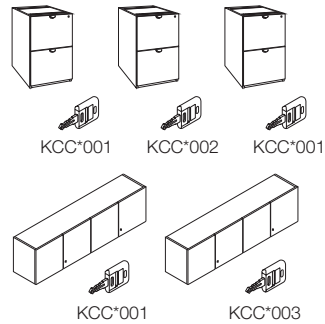
The standard key shipped with either a key random or key specific lock core can be used for the initial installation of the lock core in the field.

IMPORTANT: A change key must be specified separately in order to remove key random and key specific lock cores in the field.

➤ See chart at right.

Key Random

Key random means numbers will be assigned arbitrarily at the factory with key numbers ranging from KCCB001 to KCCB300.



With random keying, different furniture units may or may not have the same key number. If you must have all locks keyed differently or all locks keyed the same, choose the key specific option.

Random lock cores are shipped installed on Kwik Office models. Specify a change key only when you need to change lock cores.

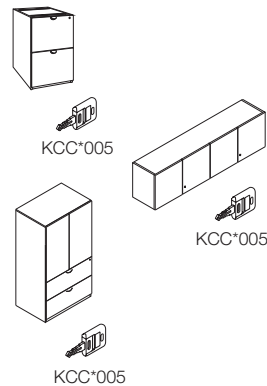
Random lock cores are shipped separately for field installation on Complementary Furniture.

Key Specific

Key specific means that you can specify any key number from a large range of numbers.

➤ See chart at right for available key numbers by series.

IMPORTANT: If you select the key specific option, you must specify the lock cores separately.

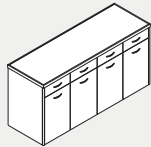
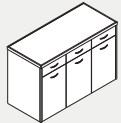


To key all the furniture units alike, choose the key specific option and order the quantity of locks needed for your installation.

Specific lock cores are shipped separately for field installation when you specify key specific on Complementary Furniture.

<i>Model</i>	<i>Description</i>	<i>Price</i>
Lock Cores for Key Specific Option		
KCCB001 to KCCB300	Specify exact key number desired.	\$21
Change Keys		
KCCB1CK		\$5
Master Keys		
KC2GMK		\$11

Complementary Furniture



Rim Profiles:



A Radius **B** Bevel **C** Dbl. Rad.



D Bullnose **E** Transitional **F** Softened



G Beaded **H** Crescent **M** Reed



RS Rv. Knife **S** Knife

Buffet Credenzas

<i>D</i>	<i>W</i>	<i>H</i>	<i>Model</i>	<i>Description</i>	<i>Price</i>
Buffet Credenzas					
24½"	54½"	35½"	CR2454CB	Three box drawers and two hinged door storage compartments. Silverware organizer for use in any box drawer, black. One adjustable shelf in each hinged door compartment. Pull-out trash container (24 qt. capacity) in lower left compartment, black. Non-locking.	\$3968
24½"	73"	35½"	CR2472CB	Four box drawers and three hinged door storage compartments. Silverware organizer for use in any box drawer, black. One adjustable shelf in each hinged door compartment. Pull-out trash container (24 qt. capacity) in lower left compartment, black. Non-locking.	\$4803

Kimball Office Tables

GSA SIN 711-9

▶ See page

Finishes & Materials 103

Specifying Tips:

- Knife (S) and reverse knife (RS) rim profiles are on the front edge only; sides and back are flat. All other rim profiles are on all four sides of top.

How to Specify:

- ① Model
- ② Material:
W = Wood
LW = Laminate with wood rim
- ③ Finish option (omit for laminate):
N = Satin
R = Gloss
- ④ Rim profile:
▶ See options at left.
- ⑤ Pull number and designator:
▶ See page 96 for designators.
- ⑥ Finish price group:
STD = 1 **STD2** = 2 (+20%)
- ⑦ Finish designator
- ⑧ Rim finish price group (omit for wood top):
STD = 1 **STD2** = 2 (+20%)
- ⑨ Rim finish designator (omit for wood top)
- ⑩ Metal corner post finish designator
462 = Cinder
501 = Platinum Metallic
503 = Satin Nickel

Sample (base model underlined):

① ② ③ ④ ⑤ ⑥

CR2454CBW R M 10MB STD

⑦ ⑩

MW 462

Complementary Furniture



Specifying Tips:

- Knife (S) and reverse knife (RS) rim profiles are on the front edge only on utility/AV and hospitality carts; sides and back are flat. All other rim profiles are on all four sides of top.
- Serving cart and telephone stand are standard with a flat edge profile.

Carts and Telephone Stands

D	W	H	Model	Description	Price
Utility/AV Cart					
24 ¹ / ₄ "	36 ⁷ / ₈ "	35"	CR2436MUC	Includes cut-out in back panel for cable management. Two hinged door compartments with one adjustable shelf in each. Two locks; one per door. VCR opening interior dimensions = 34 ¹ / ₂ "W x 22"D x 5 ¹ / ₂ "H. Four locking dual wheel casters. Side handle.	\$2734
Serving Cart					
28"	46 ³ / ₄ "	31 ¹ / ₄ "	CR1938MSC	Fixed shelf. Leaves folded up dimensions = 19 ¹ / ₄ "D x 38"W x 36"H. Four locking dual wheel casters. Side handle. Non-locking.	\$2143
Hospitality Cart					
24 ¹ / ₄ "	36 ⁷ / ₈ "	35"	CR2436MHC	Two box drawers; Silverware organizer for use in box drawer, black. One adjustable shelf in lower right hinged door compartment (locking); one lock. Pull-out trash disposal container (24 qt. cap, black) in lower left compartment (non-locking). Power strip with three outlets and 10' cord. Black grommet in back panel. Four locking dual wheel casters. Side handle.	\$3063
Telephone Stand					
18 ³ / ₈ "	18 ³ / ₈ "	27 ³ / ₄ "	CR1717PMT	Hinged drop leaf surface on both sides. Each drop leaf surface extends 7". One adjustable shelf behind hinged door (locking); one lock. Four locking dual wheel casters.	\$1370

Kimball Office Tables

Complementary Furniture

GSA SIN 711-9

▶ See page

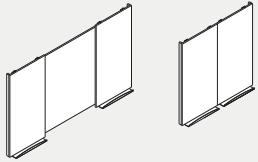
Finishes & Materials	103
Lock Cores	97

How to Specify:

- ① Model
- ② Material:
W = Wood
LW = Laminate with wood rim (not available on serving cart)
- ③ Finish option: (omit for laminate):
N = Satin
R = Gloss
- ④ Rim profile (omit for serving cart and telephone stand):
▶ See page 96 for designators.
- ⑤ Pull number and finish designator (omit for serving cart):
▶ See page 96 for designators.
- ⑥ Lock option (omit for serving cart):
KRB = Key random
KSB = Key specific (-\$21 per lock); specify lock core(s) separately
- ⑦ Finish price group:
STD = 1 **STD2** = 2 (+20%)
- ⑧ Finish designator
- ⑨ Rim finish price group (omit for wood top):
STD = 1 **STD2** = 2 (+20%)
- ⑩ Rim finish designator (omit for wood top)
- ⑪ Metal corner post, side handle (if applicable), and caster finish designator:
462 = Cinder
501 = Platinum metallic
503 = Satin Nickel metallic

Sample (base model underlined):
 ① ② ④ ⑤ ⑥
CR2436MUCLW D 10MB KRB
 ⑦ ⑧ ⑨ ⑩ ⑪
 STD 480 STD MW 462

Complementary Furniture



Visual Boards

<i>D</i>	<i>W</i>	<i>H</i>	<i>Model</i>	<i>Description</i>	<i>Price</i>
Visual Board with Sliding Wood Doors					
23½"	50"	50"	CR5050VBW	White HPL writing surface. Door handles and marker tray are metal. 98"W when door are fully open.	\$2731

Specifying Tips:

- For use in wall mount applications and with dry-erase markers only.
- Expo or Expo2 dry erase markers are recommended for use on marker boards. Low-odor dry erase markers are not recommended, as they may leave undesirable results when erased.

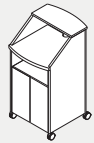
How to Specify:

- ① Model
- ② Finish price group:
STD = Group 1
STD2 = Group 2 (+20%)
- ③ Finish designator
- ④ Metal finish designator:
462 = Cinder
501 = Platinum metallic
503 = Satin Nickel metallic

Sample (base model underlined):

① ② ③ ④
CR5050VBW STD MW 462

Complementary Furniture



Lecterns

<i>D</i>	<i>W</i>	<i>H</i>	<i>Model</i>	<i>Price</i>
Floor Lectern				
26¼"	24½"	48"	CR2448LCW	\$2933

Standard:

- Adjustable shelf behind hinged door in lower compartment
- Presentation surface with cut-out for cable management
- Four locking dual-wheel casters
- Wood top and chassis with metal corner posts
- Non-locking lower compartment

Kimball Office Tables

Complementary Furniture

GSA SIN 711-9

▶ See page

Finishes & Materials 103

How to Specify:

- ① Model
- ② Finish price group:
STD = Group 1
STD2 = Group 2 (+20%)
- ③ Finish designator
- ④ Metal support/corner posts finish designator:
462 = Cinder
501 = Platinum metallic
503 = Satin Nickel metallic

Sample (base model underlined):

① ② ③ ④
CR2448LCW STD MW 462

Complementary
Furniture