

Frames, Connectors, and 3" Extender

Tools Required

- Cordless Drill/Driver
- 3/8" Allen Bit
- Tape Measure
- Level
- Pry Bar (for leveling)

Installation

Frame:

1. Locate the high spot of the floor in area where frames are to be assembled. Frame assembly should start at a directional connector (L, T, X, V, Y).
2. Using 2" connector/end trim bolts connect frames to connector using the number of bolts shown. (Figures A & B).
3. Level assembly of frames and connector.
4. Connect additional frames to assembly using 2 3/4" frame-to-frame alignment bolts in the locations shown. (Figure B). Level each frame, ensuring that each glide is touching the floor.

Figure A

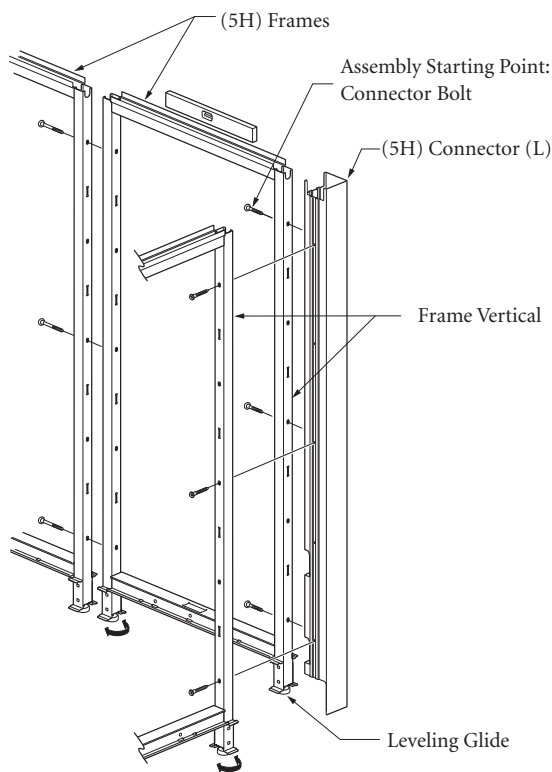
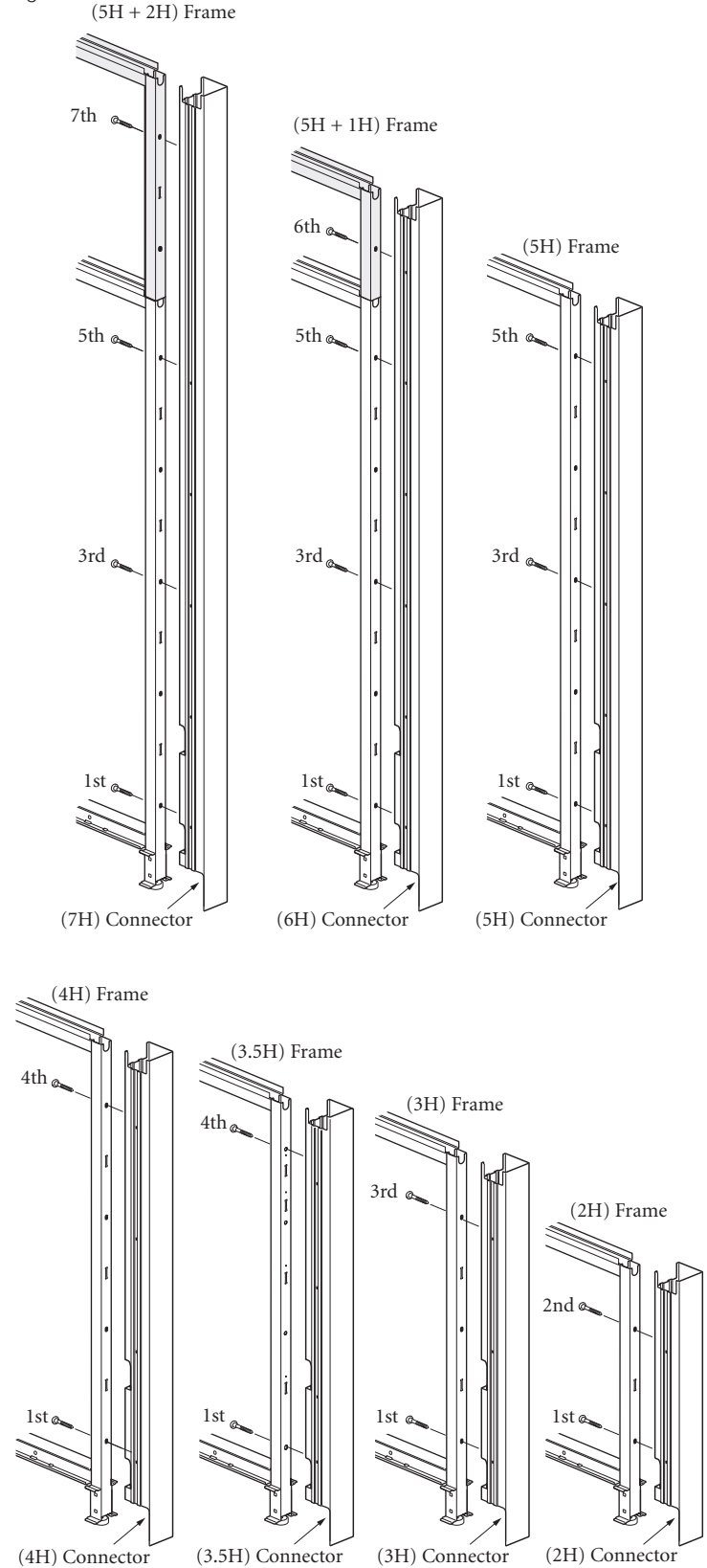


Figure B



Proper product installation, in accordance with these instructions, is the responsibility of the installing agent. If you have any questions concerning these instructions, please call Kimball Office Customer Service.

Kimball®Office

Installation (continued)

3" Extender:

Note: 3" extender may be used between frames, between a frame and a connector, or at the end of a frame.

1. To connect the 3" extender between frames, 5 3/4" extender frame-to-frame alignment bolts are used at the locations shown. (Figure C).
2. To connect the 3" extender to the end of a frame, 5" extender connector/end trim bolts are used at the locations shown. (Figure C). In this application the end trim must be installed at the same time as the 3" extender.

Figure C

