

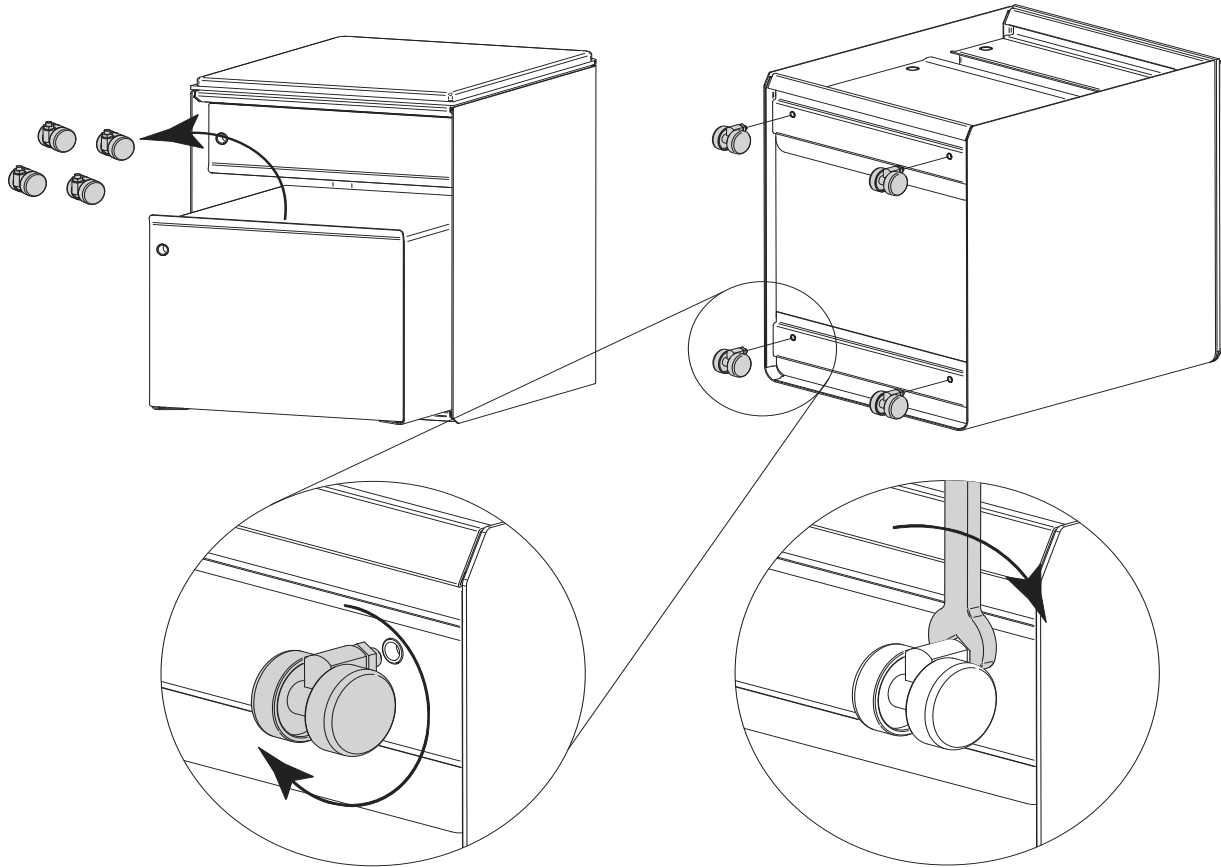
# Attach Casters to Mobile Pedestal

## Tools Required

- 1/2" Wrench

## Installation

Figure A

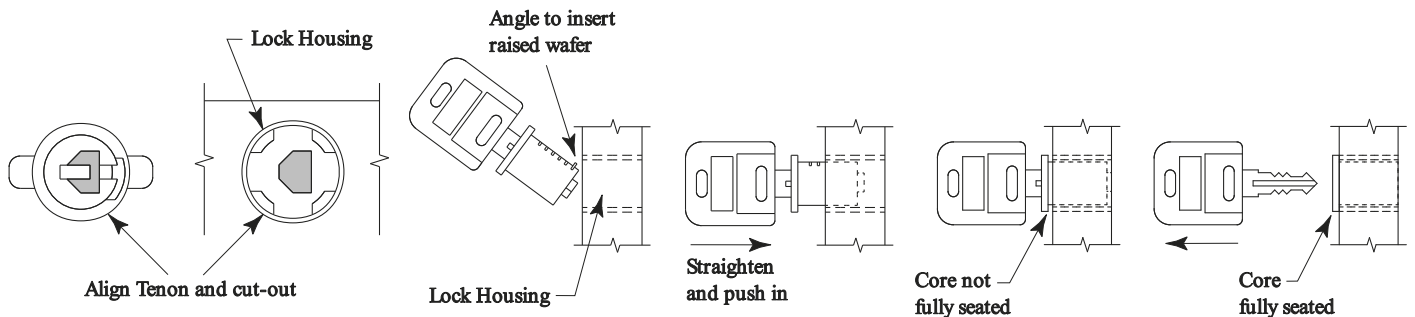


# Lock Core Installation

## Tools Required

- None

Figure B



Proper product installation, in accordance with these instructions, is the responsibility of the installing agent. If you have any questions concerning these instructions, please call Kimball Office Customer Care.

Kimball® Office