

Mid-Frame Support

Tools Required

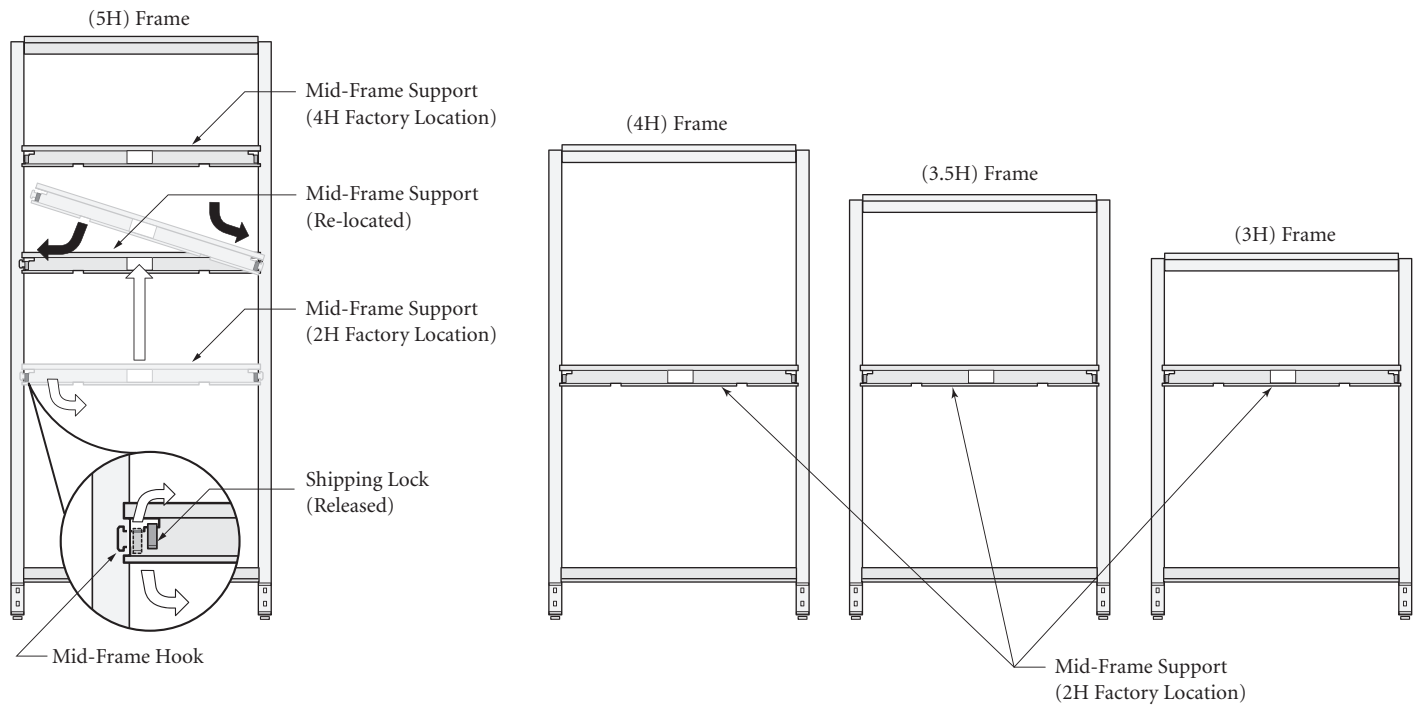
- None

Note: Mid-frame supports will be factory installed at the 2 high and 4 high positions for a 5 high frame; and at the 2 high position for 3 high, 3.5 high, and 4 high frames. Factory installed mid-frame supports can be removed and relocated. To do this, the plastic ship locks near the frame verticals must be removed. Ship locks can be removed by separating the bottom ends and lifting upward.

Installation

1. Angle the mid-frame support so that it will fit between the frame verticals. (Figure A).
2. Slide lower end into the frame vertical slot until it stops.
3. Line up the other end with the slot on the opposite side.
4. Slide the mid-frame support over to engage the opposite hook into the vertical.

Figure A



Printed in U.S.A. © 2010 Kimball International, Inc. T 800.482.1818 F 812.482.8300

Proper product installation, in accordance with these instructions, is the responsibility of the installing agent. If you have any questions concerning these instructions, please call Kimball Office Customer Service.

Kimball®Office