

# Definition®

## 108" Highback Organizer

### Tools Required

- Phillips Screwdriver
- Tape Measure or Ruler
- or Allen Wrench
- Scissors or Utility Knife

### Package Contents

- Double-sided Adhesive Tape
  - Connecting Bolts
- Tape

### Installation

**Note:** The 108" Highback Organizer is shipped as two pieces: a right and a left.

**Note:** It is recommended that more than one person be used to assemble and install this unit.

1. Lay both organizer halves on their backs. Cut a piece of double-sided adhesive tape for each outer end panel. Peel off one side of the protective backing and attach the tape to the underside of each end panel. (Figure A).
2. Lift the first highback half into its desired location on the worksurface. Lift the second highback half into position against the first unit. Make sure units align and are flush on all sides. (Figure B).

**Caution:** Make sure first unit is held steady while locating second unit.

3. Align connecting holes in highbacks and attach highbacks together using the six (6) provided connecting bolts. Insert half of a connector bolt into one connecting hole, and insert the other half into the opposite connecting hole. Tighten all bolts securely, making sure both highback halves are flush against each other with no gaps. (Figure C).

Figure A

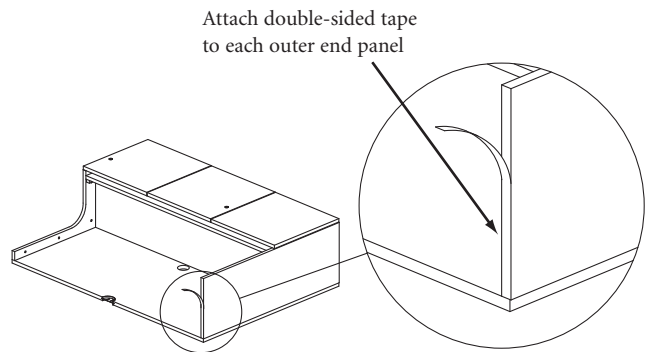


Figure B

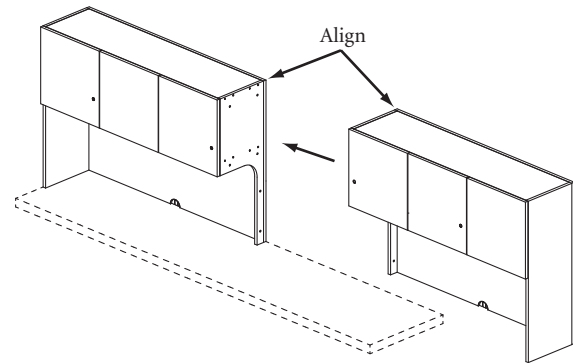
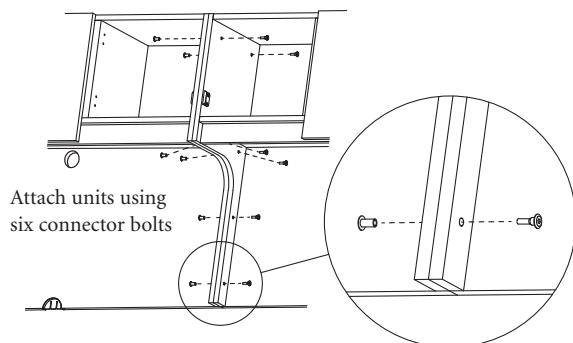


Figure C



# Definition

## Installation (continued)

4. Make sure assembled unit is in its final desired position. Carefully tilt unit forward and remove remaining protective backing from each piece of double-sided adhesive tape. (Figure D).
  5. Set unit upright and press down to ensure good bond with adhesive. (Figure E).
- Caution:** *Double-sided tape has a powerful adhesive which permanently bonds to any surface.*

Figure D

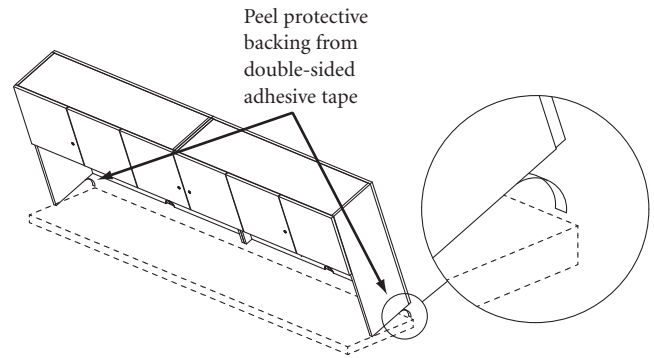
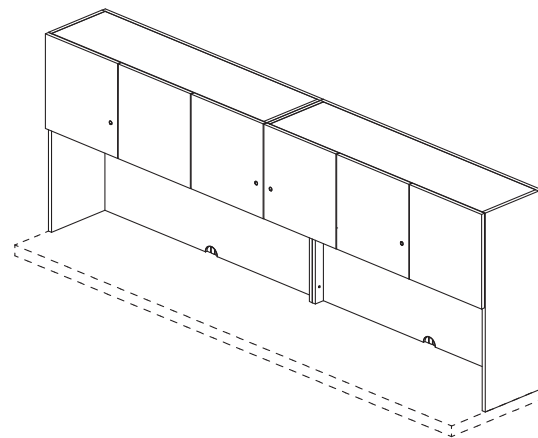


Figure E



Printed in U.S.A. © 2010 Kimball International, Inc. T 800.482.1818 F 812.482.8300

Proper product installation, in accordance with these instructions, is the responsibility of the installing agent. If you have any questions concerning these instructions, please call Kimball Office Customer Service.

Kimball<sup>®</sup>Office