

Beo

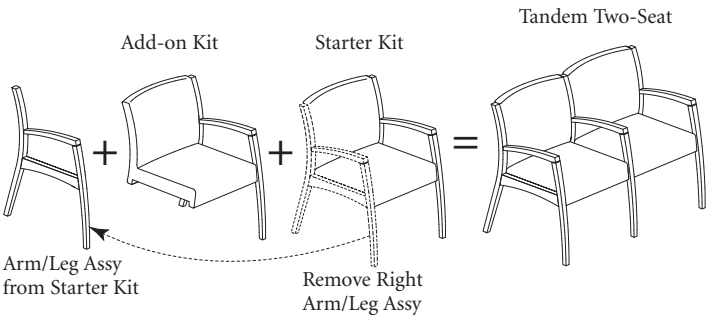
Add-On Kit

Tools Required

- Wrench
- Utility Knife
- Staple Gun

Description

To build a tandem guest seat run, the right arm & leg assembly on the starter kit needs to be removed and added to the end of last add-on kit.

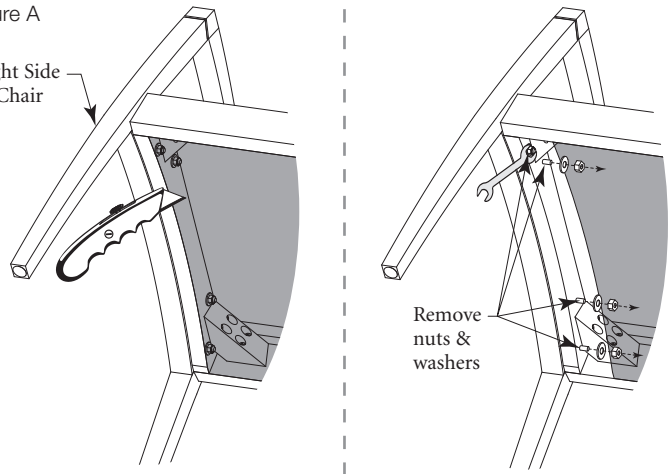


Installation

1. On right underside of chair/starter kit, cut slit in black bottom fabric near right side rail to reveal nuts used to attach right arm/leg assembly to seat frame. Remove nuts & washers using wrench provided. (Figure A).
2. Remove upholstered back panel by pulling it off with your hands to reveal nuts used to attach right arm/leg assembly to back frame. Remove nuts & washers using wrench provided. (Figure B).
3. With all fasteners removed, carefully pull right arm/leg assembly away from chair/starter kit. Set arm/leg assembly off to side for later use. (Figure C).

Figure A

Right Side of Chair



Remove nuts & washers

Figure B

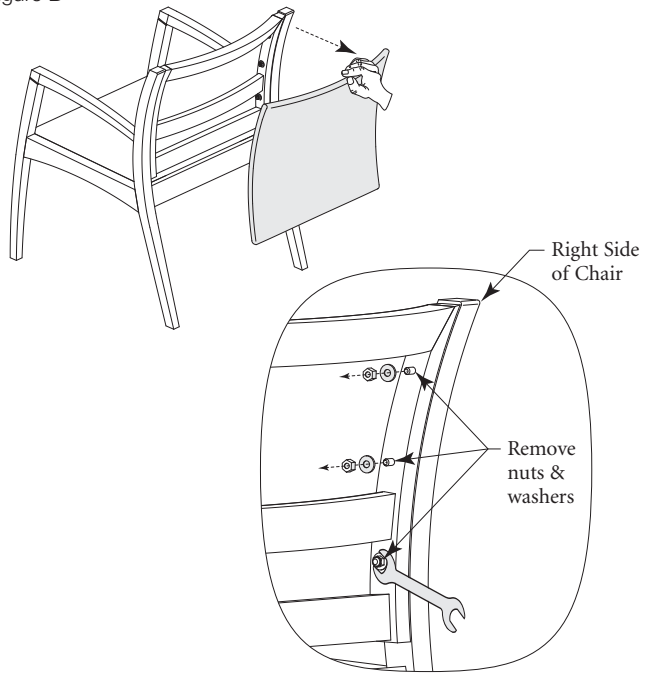
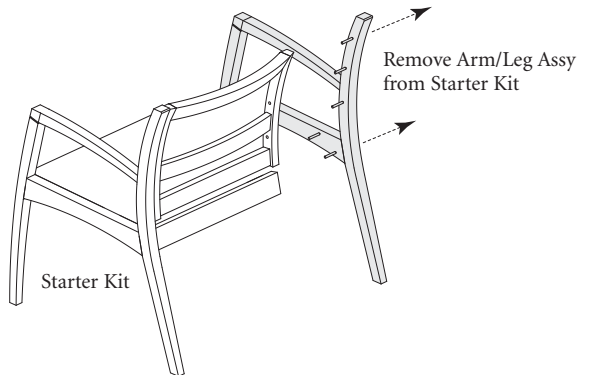


Figure C



Beo

Installation (continued)

- 4. Align lag bolts on starter kit to holes on add-on kit frame and mate the chairs together. Insert washers and nuts onto lag bolts and tighten using wrench. (Figure D).
Note: You can attach as many add-on kits as you'd like at this point.
- 5. Align lag bolts on right arm/leg assembly to holes on add-on kit frame and mate together. Insert washers and nuts onto lag bolts and tighten using wrench. (Figure E).
- 6. Staple bottom fabric back to side rail of chair. (Figure F).
- 7. Reattach upholstered back by aligning fasteners up to the holes on back of chair and pushing together firmly. (Figure G).

Figure D

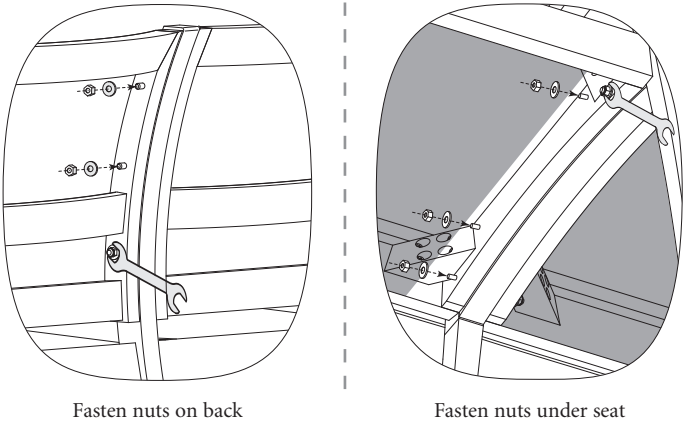
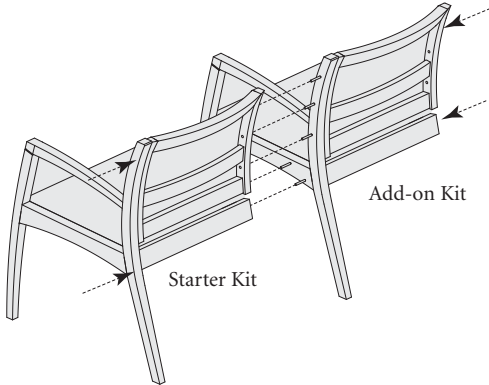


Figure E

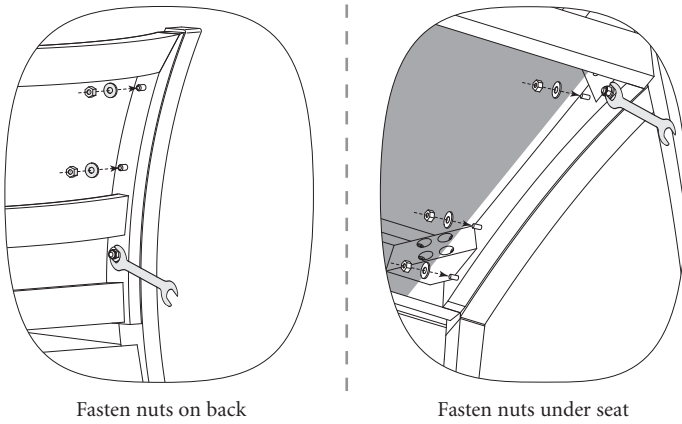
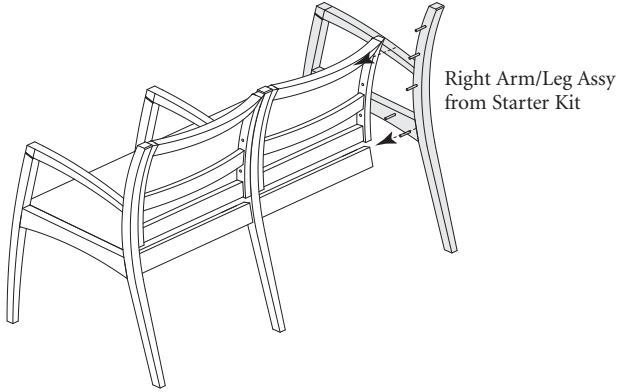


Figure F

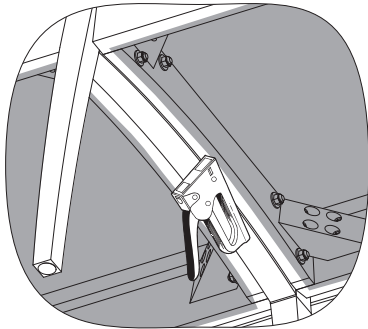
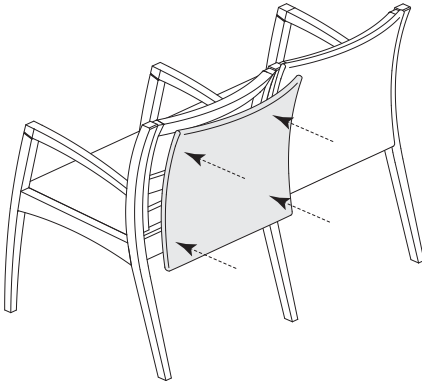


Figure G



Printed in U.S.A. © 2010 Kimball International, Inc. T 800.482.1818 F 812.482.8300

Proper product installation, in accordance with these instructions, is the responsibility of the installing agent. If you have any questions concerning these instructions, please call Kimball Customer Service.

Kimball®Office