

Statement of Line

Campos is a sleek task chair made for day-long flexible support and healthy sitting. Each Campos comes with the essential ergonomic adjustments — synchronous mechanism and back tension adjustment, with comfortable T-armrests.



Upholstered-Back Desk Chairs

► See page 279 to specify.

Height	39 ³ / ₄ "–49 ³ / ₈ "
Width	25 ³ / ₄ "–27"
Depth	25"
Arm height	23 ⁷ / ₈ "–35 ¹ / ₈ "
Seat height	15 ⁷ / ₈ "–23"
Seat width	19 ³ / ₄ "
Seat depth	16 ⁵ / ₈ "
Kneespace	19 ³ / ₄ "



Mesh-Back Desk Chairs

► See page 279 to specify.

Height	40 ¹ / ₈ "–50 ¹ / ₂ "
Width	26"–26 ³ / ₄ "
Depth	25"
Arm height	24"–36 ¹ / ₄ "
Seat height	15 ⁷ / ₈ "–23"
Seat width	19 ⁵ / ₈ "
Seat depth	16 ¹ / ₂ "
Kneespace	19 ³ / ₄ "

Note: Measurements were obtained using the ANSI/BIFMA accepted chair measurement device and process.

Overview	278
Finishes & Materials	325

Height Ranges:

Patented twist/threaded column allows pneumatic cylinder to be adjusted, resulting in varying ranges for overall, seat, and arm heights.

Upholstered-Back Desk Chairs

Lowest Column Position

Overall height	39 ³ / ₄ "–47 ¹ / ₂ "
Arm height	23 ⁷ / ₈ "–33 ³ / ₈ "
Seat height	15 ⁷ / ₈ "–21 ¹ / ₄ "

Highest Column Position

Overall height	41 ¹ / ₂ "–49 ³ / ₈ "
Arm height	25 ¹ / ₂ "–35 ¹ / ₈ "
Seat height	17 ⁵ / ₈ "–23"

Mesh-Back Desk Chairs

Lowest Column Position

Overall height	40 ¹ / ₈ "–48"
Arm height	24"–33 ¹ / ₂ "
Seat height	15 ⁷ / ₈ "–21 ¹ / ₄ "

Highest Column Position

Overall height	42 ³ / ₄ "–50 ¹ / ₂ "
Arm height	26 ¹ / ₂ "–36 ¹ / ₄ "
Seat height	17 ⁵ / ₈ "–23"

Note: Chairs are shipped with the column set at a mid-point between the lowest and highest positions.

Campos

Overview

Options:

Adjustable lumbar support for mesh-back desk chairs utilizes air-pressure technology integrated into the mesh back.

Adjustable lumbar support for upholstered-back chairs features a molded polyurethane lumbar pad that can be manually adjusted by turning a small knob.

Seat slider is available on task chairs to adjust the seat depth for comfort. Seat depth is adjusted by grasping the left lever below the seat, pulling upward, and sliding forward or rearward; locks within a 2" range.

4-D arm option enables the user to make front-to-back adjustment within a 2" range (6 positions), side-to-side adjustment (5 positions), and pivots inward and outward 10° with two stops.

Shipping & Assembly:

Chair is shipped knocked down in four parts and can be assembled without tools.

► See assembly instructions at www.kimballoffice.com

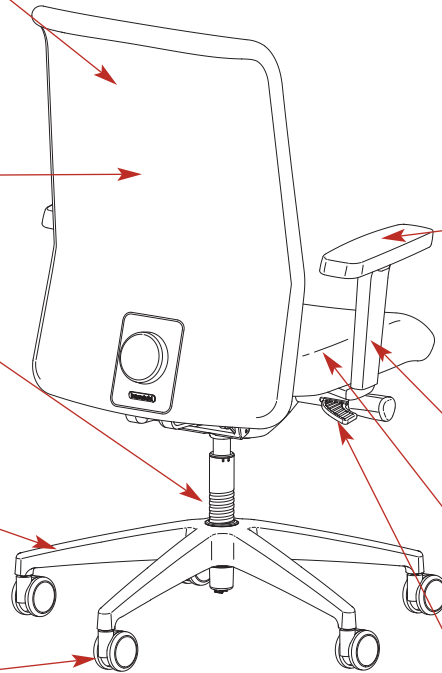
Upholstered-back models feature a nine-layer molded plywood shell surrounded by molded, CFC- and CHC-free foam and upholstery.

Back features a three-position lock with release mechanism.

Seat height adjusts from 15⁷/₈"–23" via a patented twist/threaded column adjustment feature and pneumatic (gas) cylinder.

Five-star base is 30% glass-filled nylon, black plastic or cast aluminum with a polished finish.

Black, dual-wheel casters on desk chairs are 65mm in diameter. Specify hard casters (802) for use on carpet (standard) or soft casters (801) for use on hard floors (upcharge applies).



Mesh-back models incorporate a mesh design perfectly proportioned to give ergonomically correct, flexible support in all upright or reclined positions. Available in three colors. The mesh is pulled over a structural, black metal tubular frame.

T-shaped arm rests are standard with 2D adjustability. User can adjust the arm vertically within a 4¹/₄" range (11 positions) and horizontally within a 2¹/₂" range. Arm caps are black polyurethane.

Arm structure consists of a steel upright covered in black nylon.

Seat cushions are 2¹/₈" thick—1³/₄" CFC- and CHC-free molded foam, over a seven-layer molded plywood shell.

Synchro mechanism provides fully synchronized seat-to-back movement. Allows user to lock the chair in multiple positions within the range of movement using a single lever.

Adjustability Features:

Synchro-tilt	•
Pneumatic height	•
Swivel	•
Lumbar	○
Seat slider	○
Anti-kick back	•
Tilt tension	•
Back tilt lock	•
2-D arms	•
4-D arms	○

• = standard ○ = option

Anti-kick back feature controls forward movement of the back rest when the lock is disengaged.

Tilt tension control adjusts the amount of resistance the user feels when leaning back.


Weight Rating:



Campos desk chairs are user rated up to 275 lbs.

Campos



Desk Chairs

 = Kwik Office model available.
 ▶ See the Kwik Office Price List.

Model	Price
Mid-Back with Upholstered Back and Seat	
K15C27 	\$770
Mid-Back with Mesh Back and Upholstered Seat	
K17C27 	\$853

Specifying Tips:

- Lucia is the only upholstery fabric currently available on Campos.
- TB133 fire code treatment is available on both models.
 ▶ See page 327 for upholstery.
 ▶ See page 332 for TB133 pricing.

Options:

Description	How to Specify	Add \$ to Price
Adjustable lumbar support	Specify 604	+\$125
4-D adjustable arms	Specify 709	+\$50
Seat slider	Specify 601	+\$50
Polished aluminum base finish	Specify 521304	+\$125
Soft casters	Specify 801	+\$23

▶ See page

Overview	278
Finishes & Materials	325

How to Specify:

- Model
 - Back:**
 Upholstery pattern name (omit for mesh back model):
LUCIA
 Mesh or upholstery color designator:
8140 = Black mesh
8146 = Red mesh
8147 = Beige mesh
 ▶ See page 328 for Lucia upholstery designators.
 - Seat:**
 Upholstery pattern name:
LUCIA
 Upholstery color designator:
 ▶ See page 328 for Lucia upholstery designators.
 - Lumbar support option:
604 = Adjustable (+\$)
X = None
 - Arm style:
703 = 2D **709** = 4D (+\$)
 - Seat slider option:
601 = Adjustable (+\$)
X = None
 - Base finish designator:
532217 = Black plastic
521304 = Polished aluminum (+\$)
 - Castors:
802 = Hard (for use on carpet)
801 = Soft (for hard floors) (+\$)
- Sample (base model underlined):
- K15C27 ^① ^② ^③ ^④ LUCIA 5800 LUCIA
^⑤ ^⑥ ^⑦ ^⑧ ^⑨ ^⑩
 5800 X 703 X 532217 802

