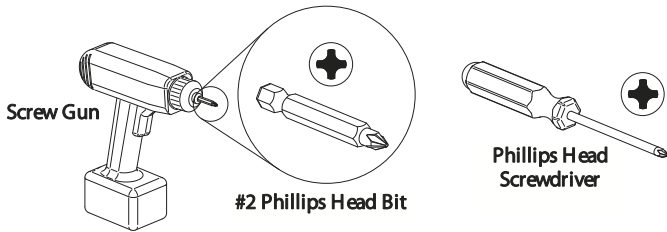
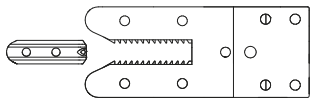


Ganging Bracket

Tools Required



Package Contents



Ganging Brackets - Model K60GB

Note: Two Ganging Brackets are required to gang two units together.

Installation

1. Each side of every Villa unit must use two ganging brackets.
2. Villa Youth: Whenever possible, each one or two seat Villa Youth unit should have at least one side with the larger 'teeth' ganging bracket installed on that unit.
3. Ganging Villa: Place one ganging bracket set each at the front most and rear most predrilled holes found on the underside of each Villa unit. For the large ganging bracket, remove all four screws and reuse them to attach the bracket. The smaller bracket is to be placed on the connecting Villa unit by removing two screws from the corresponding set of predrilled holes and placing the bracket in the center two holes. See Bottom View.
4. Ganging Villa to Villa Youth: Attach the ganging brackets to the Villa Youth unit per step two and three. For adult Villa units, use the predrilled middle set of holes. These holes align with Villa Youth and attach the other part of the ganging bracket. If your adult Villa unit doesn't have the middle predrilled holes, then attach the bracket by aligning it with Villa Youth holes and driving the screws found in the front set of holes.
5. Customer then aligns units and slides them together to engage brackets. (Figure B). To separate units, customer must lift up on unit with smaller mating piece.

Figure A

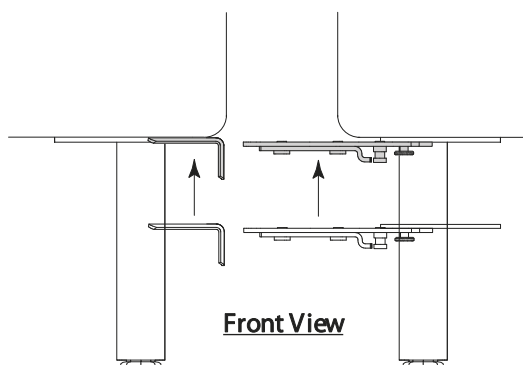
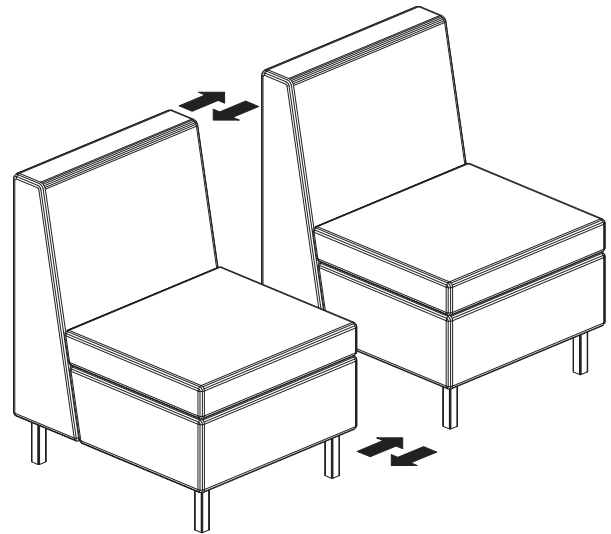


Figure B



Bottom View

