

Seat Replacement

Tools Required

- None

Installation

1. Villa seat cushions are designed to be removed for easy cleaning or replacement if necessary. Seat cushions are aligned and attached to frame with a tapered positioning pin and hook & loop velcro fasteners. (Figure A).
2. To remove seat cushion, simply pull up and away from frame. (Figure B).
3. To re-apply seat, align tapered positioning pin on bottom of cushion to hole on frame and lower onto frame. (Figure C).

Figure A

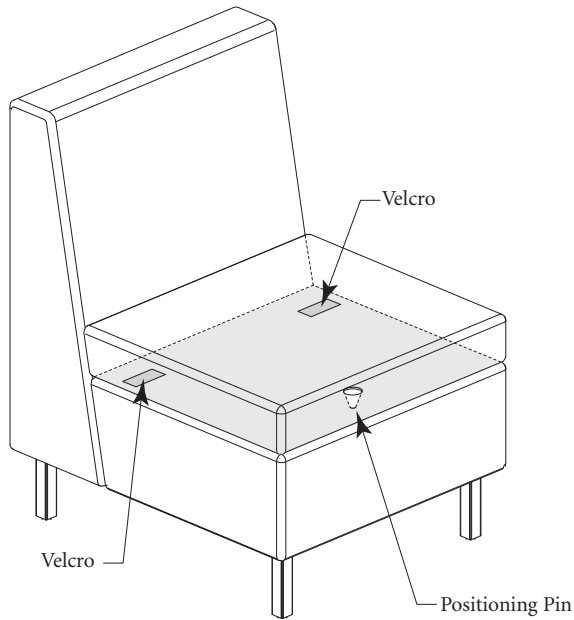


Figure B

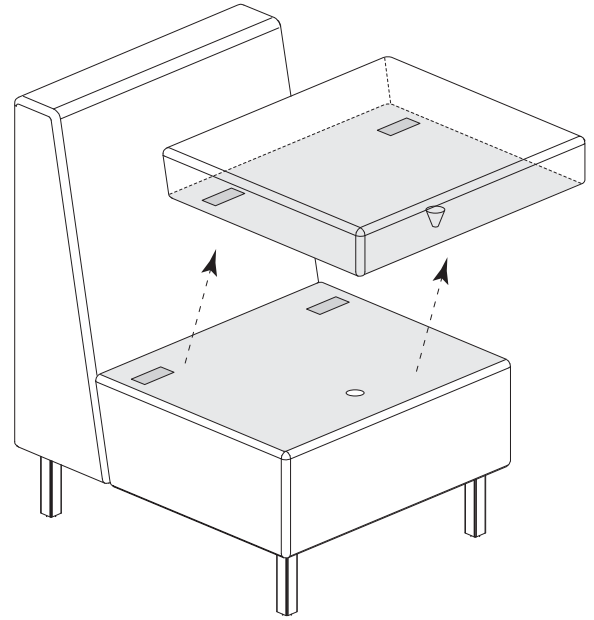


Figure C

