

Xsite®

Xsite Traxx® and Lock Bracket

Tools Required

- Tape Measure
- Rubber Mallet
- Flat Blade Screwdriver

Installation

Note: Each frame of 18"-48" requires two brackets per Traxx location.

Note: Each mid-frame support has two locations for lock brackets. (Figure A).

1. Traxx at the top of frame should be positioned against edge of the connector.
2. Hook back of Xsite Traxx over top channel or mid-frame supports as required. Repeat on opposite side. (Figure B).
3. Engage ridge on inside of Xsite Traxx lock bracket over recess on bottom of Xsite Traxx. Swing up and snap into ridge on opposite Xsite Traxx. (Figure B).

Note: Traxx lock brackets must be installed near the ends of each frame top channel or mid-frame support that supports Xsite Traxx (approximately 6" from the vertical). Maximum distances between lock brackets should not exceed 32".

4. If Xsite Traxx is located on one side only, engage ridge over recess on bottom of Xsite Traxx, swing up and slide over mid-frame support. Repeat for all lock brackets. (Figure C).

Note: Since Traxx lock brackets will not attach to top channels, Traxx must be located on both sides or neither side of a top channel when stacking is used.

5. Carefully tap Xsite Traxx left or right with mallet and flat blade screwdriver for final adjustment.

Note: To remove Traxx lock brackets, slide a screwdriver behind the vertical edge and pry out.

Figure A

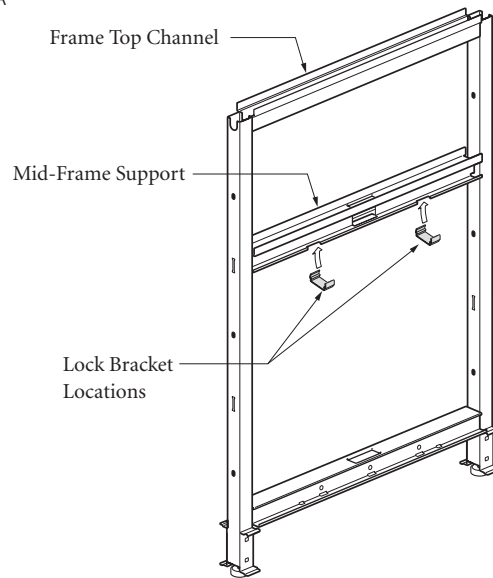


Figure B

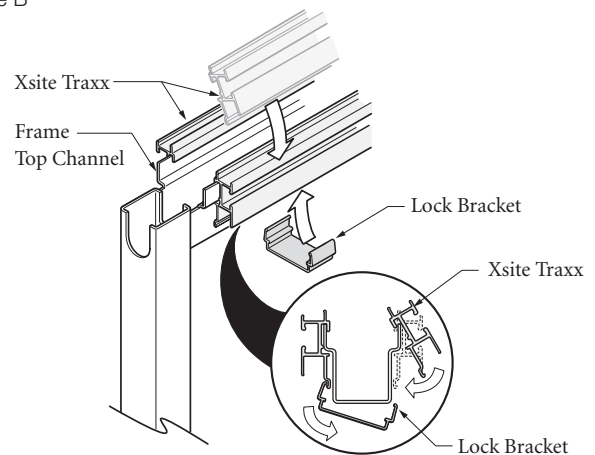


Figure C

