

Cetra®

Attach Privacy Panel to Cetra

Tools Required

- Level
- Flat Screwdriver
- Needle-nose Pliers
- Rubber Mallet

Package Contents

- Caster
- Attachment Bracket
- Double-sided Adhesive Tape
- Base Pivot Bracket with Carpet Gripper

Installation

Note: The privacy panel can only be installed on the end of a Cetra panel.

1. Remove the top cap from the Cetra panel. (Figure A).
2. When the privacy panel will mount to an acoustical or hardsurface tile Cetra panel, press the attachment bracket onto the top of the Cetra panel so that the spur on the attachment bracket is against the top bracket of the Cetra panel. (Figure B). Press the attachment bracket to the side and down to ensure it is tight against the top bracket and firmly seated on the acoustical or hardsurface tile. (Figure C).
3. When the privacy panel will mount to a glass tile, the pivot bracket must be altered. Use needle-nose pliers to bend down the two tabs on the top of the attachment bracket. (Figure D).

Figure A

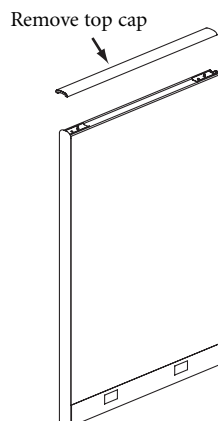


Figure B

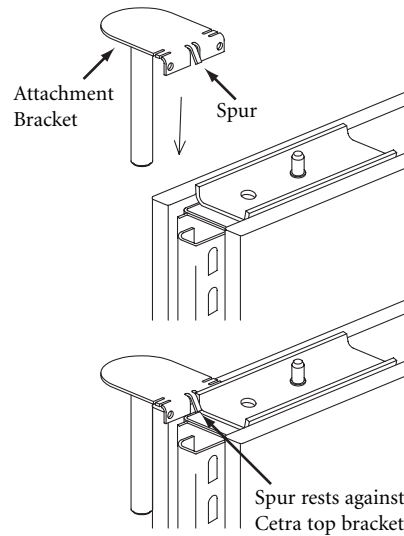


Figure C

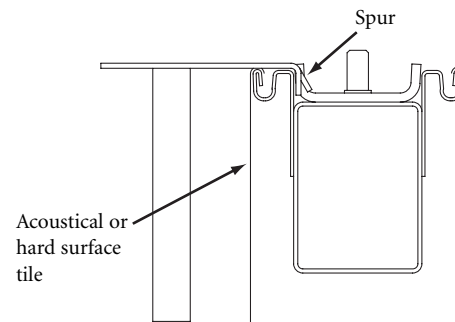
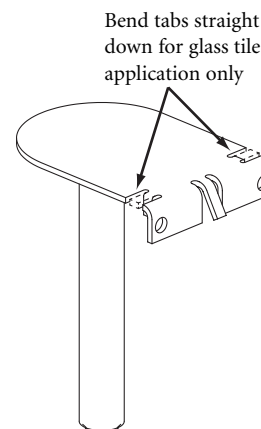


Figure D



Proper product installation, in accordance with these instructions, is the responsibility of the installing agent. If you have any questions concerning these instructions, please call Kimball Office Customer Care.

Kimball®Office

Cetra

Installation (continued)

4. Press the modified attachment bracket onto the top of the Cetra panel so that the spur on the attachment bracket is against the top bracket of the Cetra panel and the bent-down tabs are against the inside edge of the glass tile. (Figure E). Press the attachment bracket to the side and down to ensure it is tight against the top bracket and firmly seated on the glass tile. (Figure F).
5. Re-attach the top cap. Use rubber mallet with minimal force and only if necessary, to firmly seat top cap. (Figure G).
6. Insert base pivot bracket and caster into openings in bottom of the posts on privacy panel. Make sure bracket and caster fully seat. (Figure H).

Figure E

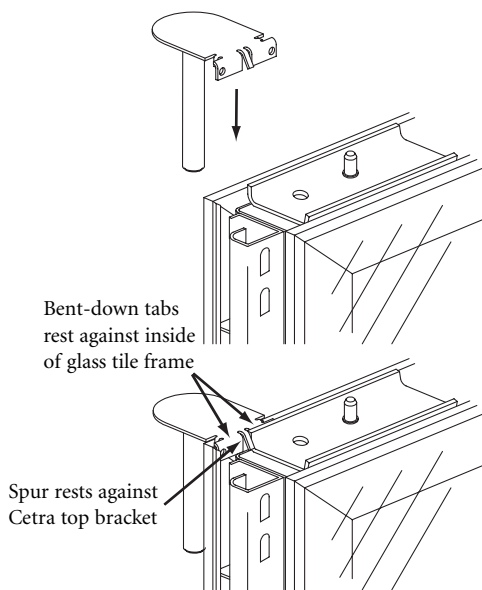


Figure F

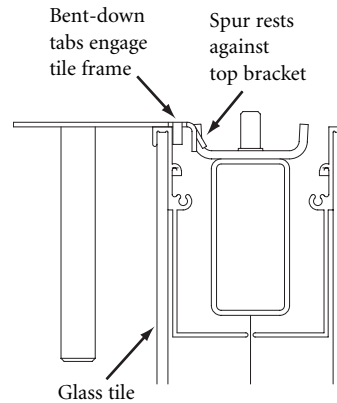


Figure G

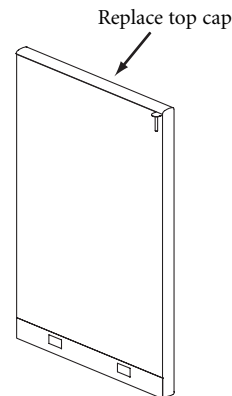
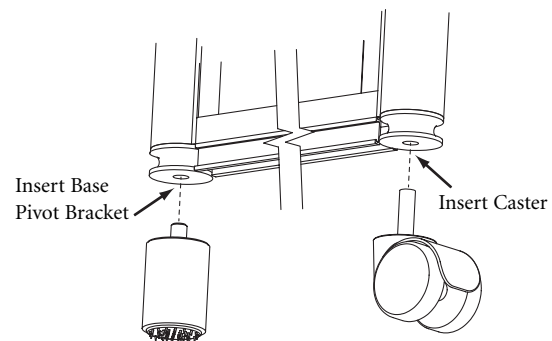


Figure H



Cetra

Installation (continued)

7. In situations where the base pivot bracket will sit on a non-carpeted floor, remove the carpet gripper from the bottom of the base pivot bracket and attach a piece of the double-sided adhesive tape provided. (Figure I).
8. Tilt the top of the privacy panel towards the Cetra panel and insert the attachment bracket into the hole in top of the same post on the privacy panel where base pivot bracket is installed. Rotate the bottom of the privacy panel inward toward the Cetra panel. (Figure J).
9. For correct operation the privacy panel must be level. You can adjust the location of the base pivot bracket, top attachment bracket and caster to position panel correctly. Ensure that the panel is level in the open and closed positions. When leveled, press down slightly on panel to engage the carpet gripper or double-sided tape on bottom of base pivot bracket. (Figure K).

Figure I

For non-carpeted situations:

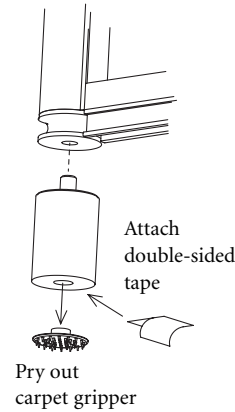


Figure J

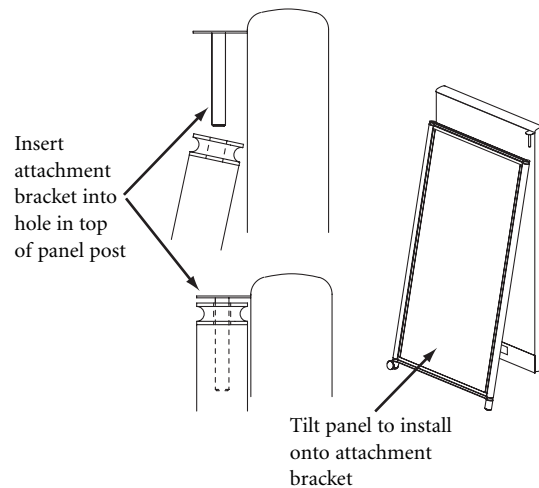


Figure K

