

## Support Block Attachment

### Tools Required

- Tape Measure

### Hardware Required

- Support Blocks

### Installation

1. Attach Support Blocks to each vertical frame members that will be behind the storage cubby after final installation.
2. Peel back off of the adhesive tape and attach it to the frame 7" down from the track edge to the bottom of the block.
3. Make sure the blocks are facing in the direction the cubby will rest. (Figure A).
4. Install Xsite tiles (Figure B).
5. Install Cubby.

Figure B

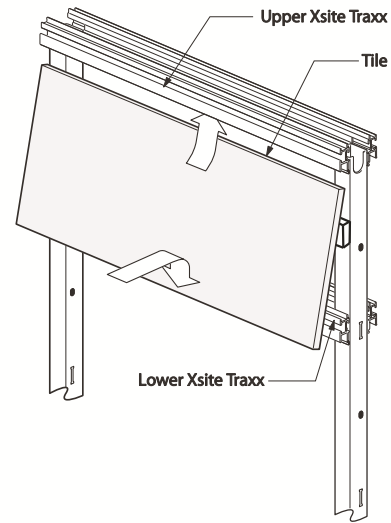


Figure A

