

Hi-Lo Trim

Tools Required

- Socket wrench
- Rubber mallet

Package Contents

- Hi-Lo trim kit
- Panel end bracket

Installation

Note: This Assembly Instruction Sheet covers four (4) typical configurations for installing Hi-Lo Trim.

1. **Panel-to-Panel:** Slide the “hook” end of the Hi-Lo trim bracket down over the “J” channel of the taller panel and attach to the lower panel bracket using the nut provided. (Figure A)
2. Attach the Hi-Lo trim to the taller panel using the panel end bracket and nut provided (Figure B).
3. Attach a panel top cap to the taller panel by carefully tapping with a rubber mallet until fully seated. Align ends with the vertical edges of the panel. Add the Hi-Lo top cap for the lower panel in the same manner by sliding notched end under the Hi-Lo Trim (Figure C).

Note: Hi-lo top caps with Thin Square Profile are not notched on the ends. These will fit snug against the vertical trim.

4. **Panel-to-Panel Connector:** Slide the “hook” end of the Hi-Lo trim bracket down over the “J” channel of the taller panel and attach to the lower panel bracket using the nut provided (Figure D).

Figure A

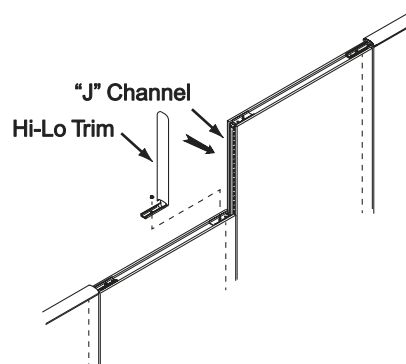


Figure B

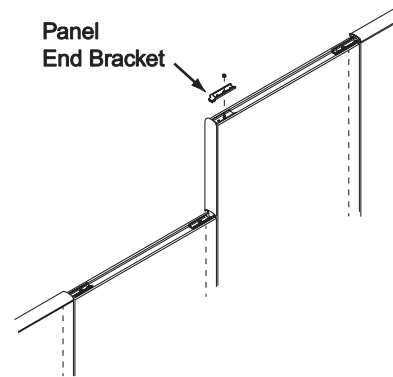


Figure C

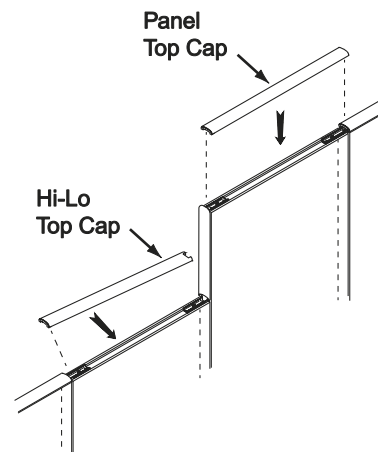
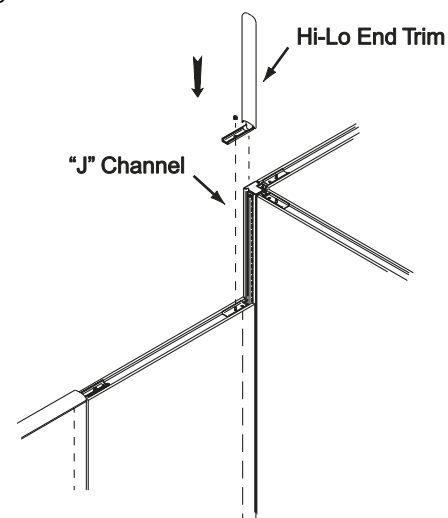


Figure D



Hi-Lo Trim

5. Attach the Hi-Lo top cap to the lower panel as shown and described in Step 3 above (Figure E).
6. **Stackable Panels:** Place the bottom of the Hi-Lo trim channel in between panel bracket extension making sure "J" channels interlock (Figure F).
7. Attach the Hi-Lo trim to the taller panel using the panel end bracket and nut provided (Figure G).
8. Attach the panel top cap and Hi-Lo top cap as shown and described in Step 3 (Figure H).

Figure E

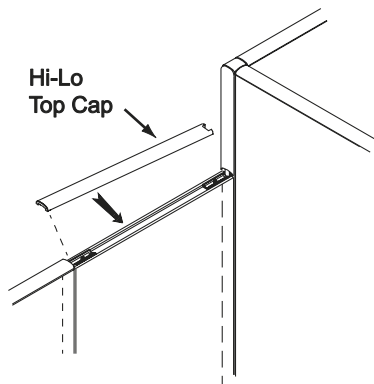


Figure F

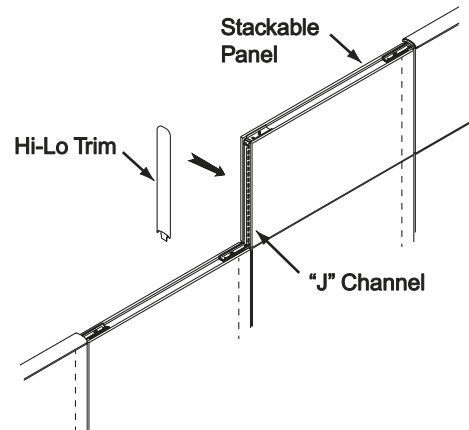


Figure G

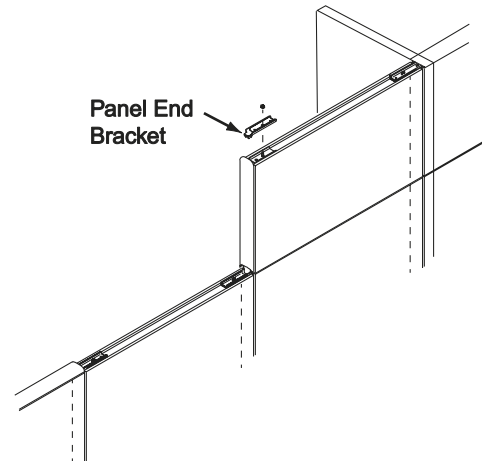
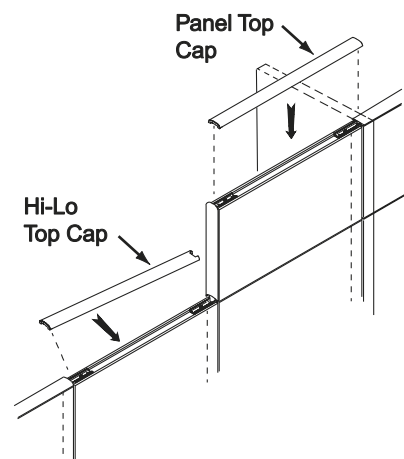


Figure H



Hi-Lo Trim

9. **Panel-to-Stackable Panel:** When using a Hi-Lo that is the same height as two stacking panels, slide hook bracket (provided with panel) down J-channel of Hi-Lo Trim and attach to lower panel using nut provided (Figure I). Attach top stacking panel next following instructions for "Add a Panel".
10. **Stackable Panels:** Place the bottom of the Hi-Lo trim channel in between panel bracket extension making sure "J" channels interlock (Figure J).
11. Attach the Hi-Lo trim to the taller panel using the panel end bracket and nut provided (Figure K).
12. Attach the panel top cap and Hi-Lo top cap as shown and described in Step 3 (Figure L).

Figure I

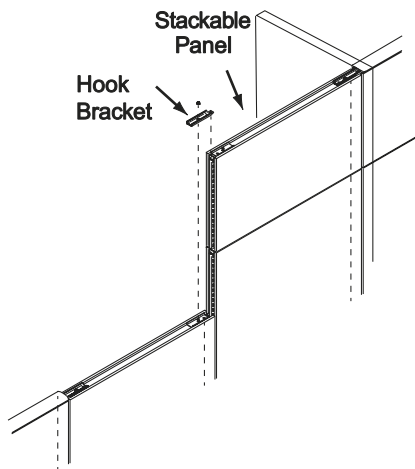


Figure J

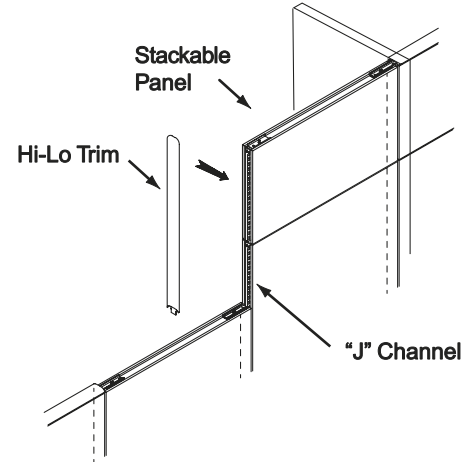


Figure K

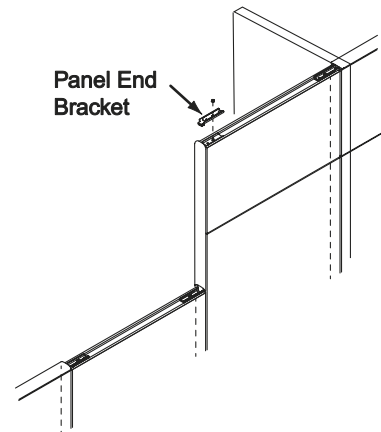


Figure L

