

These instructions provide the basic information for installing Cetra Door Panels. Each Door Panel is either Left or Right hinged. Door panels ship with the door already installed into panel frame. Door knob or lever is packaged separately and must be installed per manufacturer's instructions provided. Door panel may be installed in Straight Configuration (Figure A), Corner Configuration (Figure B), or "T" Configuration (Figure C).

1 Install door knob or lever onto door using manufacturer's instructions. Shut and lock door to prevent it from opening during installation. Insert glides on bottom of door into openings in Threshold (Figure A).

2 Slide door panel into position next to adjacent panel. Lift adjacent panel and seat "J" member onto NAAB clamp on door frame. Ensure "J" member seats fully on NAAB clamp (use rubber mallet or bend NAAB slightly using slotted screwdriver). It may be necessary to adjust the glides on the bottom of the door frame to achieve a solid fit. Level the panel and door.

3 Install top bracket and connector nuts to finish connection of panel to door (Figure A). Repeat process to connect next panel in run.

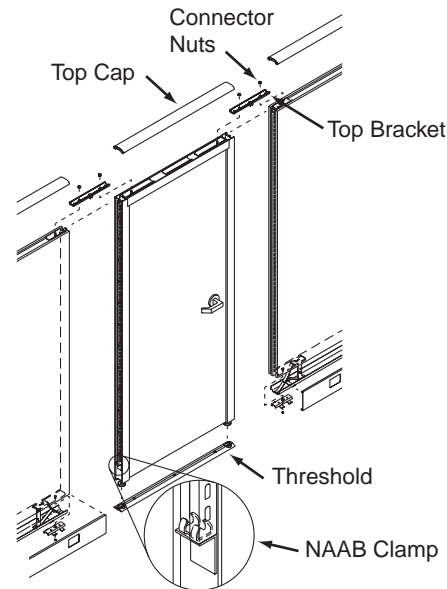
4 To assemble a corner configuration, follow Steps 1 and 2 to attach door panel to panel run.

5 Attach "L" connector post to door panel by seating "J" member of "L" connector post onto NAAB clamp of door panel. Make sure "L" connector post seats fully.

6 Move next panel into position. Next panel must have bottom door bracket (ABD) attached (Figure B). Slightly lift the "L" connector post and insert the post "J" member into the NAAB clamp on the bottom bracket of the next panel.

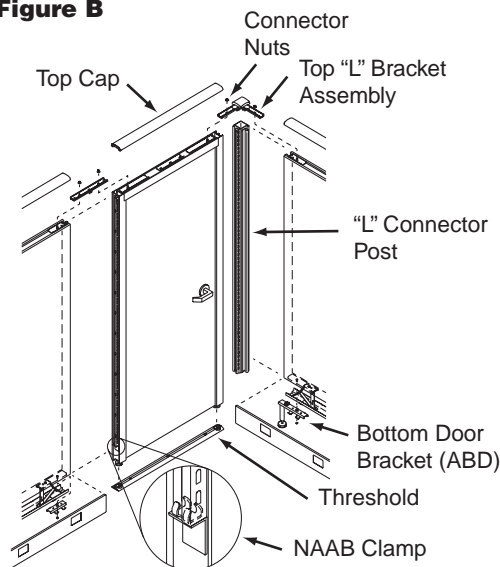
7 When door panel, post and panel are fully seated, attach top "L" bracket with connector nuts. If necessary, use rubber mallet to fully seat "L" bracket (Figure B). Do not hit wood top cap.

Figure A



Straight Configuration

Figure B



Corner Configuration

Note: To ensure sufficient support, a Door Panel must not be placed more than one 36-inch panel width from a directional connector or a support post.

Cetra®

Assembly Instructions

Door Panel Installation

Recommended Tools

- Level
- 7/16" Socket
- Ratchet
- Rubber Mallet
- Wrench
- Tape Measure
- Drill
- 5/32" Drill Bit
- Slotted Screwdriver

Package Contents

Package Contents	Qty.
• Door Unit	1
• Threshold	1
• Knob or Lever	1
• Doorstop	1



Telephone 800.482.1818
 Fax 812.482.8300
www.furniture.kimball.com

Form #AICEPA003-99
 #1399235

Printed in U.S.A.
 © 1999 Kimball International, Inc.

Proper product installation, in accordance with these instructions, is the responsibility of the installing agent. If you have any questions concerning these instructions, please call your Kimball Customer Care Team.

Cetra®

Assembly Instructions

Door Panel Installation

8 To assemble a "T" configuration, follow Steps 1 and 2 to attach door panel to panel run. Attach "T" connector post to door panel by seating "J" member of "T" connector post onto NAAB clamp of door panel (Figure C). The adjacent panels must be connected with a bottom "L" bracket in the illustrated configuration.

9 Move connected panels into position near "T" connector post. Slightly lift the "T" connector post and insert "J" members of both remaining sides into NAAB clamps in bottom "L" bracket.

10 When door panel post and adjacent panels are fully seated, attach top "T" bracket with connector nuts (Figure C). If necessary, use rubber mallet to fully seat "T" bracket.

11 To install the doorstop, open door and find the desired location approximately 18" from panel edge. Mark the location 1" from the bottom of the panel, NOT from the bottom of the wireway. Bore 3/4" deep with the 5/32" drill bit. Thread in doorstop until flush with panel (Figure D).

Note: To ensure sufficient support, a Door Panel must not be placed more than one 36-inch panel width from a directional connector or a support post.

Figure C

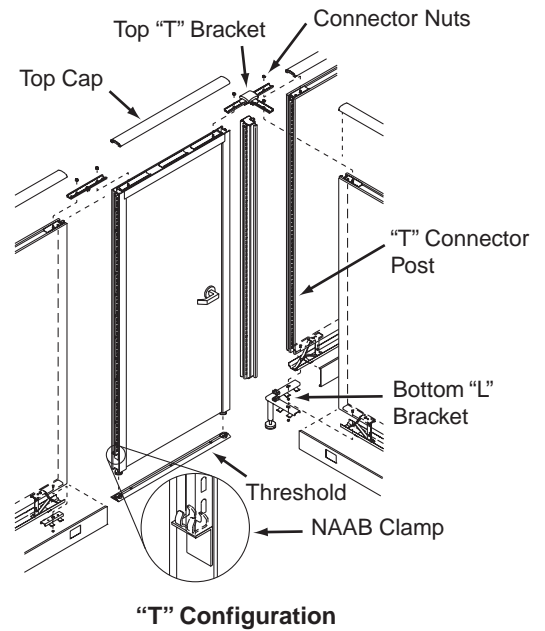


Figure D

