

Statement of Line

*Itsa task chairs—
simplicity, unique design,
comfort, performance,
and exceptional value to
satisfy any organizational
requirement. Itsa task
seating: the line you've
been waiting for.*



Itsa 1.0

Available in knee-tilt and synchro-tilt models.

▶ See page 122 to specify.



Itsa 2.0

Available in knee-tilt and synchro-tilt models.

▶ See page 122 to specify.

▶ See page

Finishes & Materials	211
Overview	120
Actual Dimensions	121

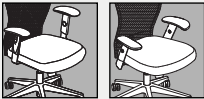
Itsa

Overview

Design Variations:



Itsa 1.0 1.0 with TB133 Ita 2.0



Itsa 1.0 Ita 2.0

Seat cushion and armrest design on 1.0 models make it ideal for users of all sizes. Seat cushion and armrest design on 2.0 models, along with a lower seat height range, make it ideal for users of smaller stature.
▶ See description at right for cushion construction details.

Options:

Seat slider is available on all models to adjust the seat depth, providing additional comfort for users with long legs. Seat depth is adjusted via a single lever and locks in one of 6 positions within a 2" range. Upcharge applies.

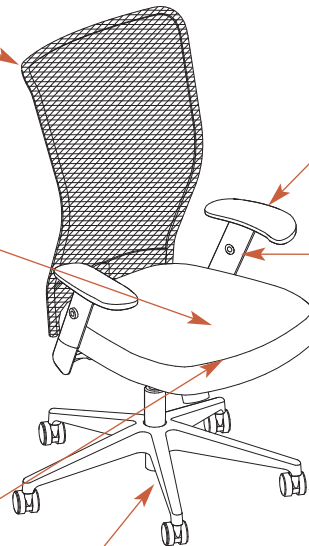
TB133 is available. 1.0 models with TB133 will feature a different armcap profile than the standard model.

Mesh back is 84% texturized polyester and 16% elastin. The mesh is pulled over a metal frame and stapled into a plastic insert at the bottom.

Seat cushions feature a seamless, pull-over style upholstery. 1.0 models have 2½" of molded, CFC-free, urethane foam applied over a recycled plastic seat shell. 2.0 models (shown) have 1" slab foam with a ½" foam overlay topper and a ½" foam bottom (to give contour to seat) applied over a plywood seat shell.

Contoured "sit spot" and waterfall front edge provides optimal seated support and prevents undue pressure in the lower thigh/knee area.

5-prong base is constructed of extremely rigid, glass-filled nylon. Black surface is textured for scuff resistance.



Arm caps are soft, self-skinning polyurethane foam molded over a steel core for strength.

Arms are height adjustable within a 2¼" range by the push of a button. 1.0 models lock into one of 7 positions. 2.0 models (shown) lock into one of 5 positions.

Black, hard dual-wheel casters are standard.

Adjustability Features:

Knee tilt or synchro tilt	•
Swivel	•
Pneumatic height	•
Side tension	•
Seat slider	○
Back tilt lock	•
Arm height	•

• = standard ○ = option

Knee tilt control provides minimal rise of the front seat edge when reclining, allowing the user's feet to remain firmly on the floor. Back may be locked in a full upright position by pushing in pneumatic height adjustment lever.

Synchro-tilt mechanism provides fully synchronized seat-to-back movement, plus:

- Free-float movement allows user to lock the chair in one of multiple positions within the range of movement using a single lever.
- Anti-kickback clutch controls forward movement of backrest when the lock is disengaged.
- Reclining tension adjustment is user friendly and accommodates a wide range of weights via a single lever on the left side of the chair (as seated).

Pneumatic height adjustment allows user to raise or lower the seat while seated. Upward movement of control lever located beneath the seat activates a gas cylinder to quickly adjust the chair.

Actual Dimensions

Notes:

Itsa chairs are dimensionally consistent. Measurements were obtained using the ANSI/BIFMA accepted chair measurement device and process.



Itsa 1.0
Knee Tilt



Itsa 2.0
Knee Tilt

	Itsa 1.0 Knee Tilt	Synchro Tilt	Itsa 2.0 Knee Tilt	Synchro Tilt
Height	38½"-43"	38½"-43"	38½"-43"	38½"-43"
Width	27¾"	27¾"	27½"	27½"
Depth	25½"	25½"	26½"	26½"
Arm height (from seat)	8¼"-10½"	8¼"-10½"	8¼"-10½"	8¼"-10½"
Arm height (from floor)	26¼"-33"	26¼"-33"	24¼"-31"	24¼"-31"
Distance between arm caps/arm supports	19"	19"	18½"	18½"
Seat height (from floor)	18"-22½"	18"-22½"	16"-20½"	16"-20½"
Seat width	20½"	20½"	18¾"	18¾"
Seat depth without seat slider option	16½"	16½"	17"	17"
Seat depth with seat slider option	16¾"-18½"	16¾"-18½"	16¼"-18¼"	16¼"-18¼"
Seat angle	7.1°	4.2°	7.8°	4.9°
Kneespace	21½"	21½"	18¾"	18¾"

Task Chairs



K = Kwik Office model available.
 ▶ See the Kwik Office Price List.

▶ See page

Finishes & Materials	211
Alliance Program Pricing	123

Kimball Office Upholstery Price Grade

Model	1 or COM	2	3 or COL	4	5	6	7	L7	L8
Itsa 1.0									
<i>Knee-Tilt Control</i>									
K38AA K	\$675	\$701	\$717	\$734	\$758	\$783	\$808	\$912	\$970
<i>Synchro-Tilt Control</i>									
K38BB K	\$775	\$801	\$817	\$834	\$858	\$883	\$908	\$1012	\$1070
Itsa 2.0									
<i>Knee-Tilt Control</i>									
K38CC K	\$675	\$701	\$717	\$734	\$758	\$783	\$808	\$912	\$970
<i>Synchro-Tilt Control</i>									
K38DD K	\$775	\$801	\$817	\$834	\$858	\$883	\$908	\$1012	\$1070

Specifying Tips:

- TB133 fire code treatment is available on select upholstery.
 - ▶ See page 219 for upholstery.
 - ▶ See page 260 for TB133 pricing.
 - ▶ See page 267 for COM or COL.

How to Specify:

① Model

Seat:

- ② Upholstery grade
- ③ Upholstery number
- ④ Seat slider:

SL = Seat slider (+\$)

X = None

Sample (base model underlined):

① ② ③ ④
K38AA 2 20200 SL

Options:

Description	How to Specify	Add \$ to Price
Seat slider	Specify SL	+\$100

IMPORTANT: Orders cannot be cancelled for chairs specified with Alliance Program upholstery.

Alliance Upholstery Price Grade

Model	A	B	C	D	E	F	G	H	I
	J	K	L	M	N	O	P	Q	R
K38AA	\$715	\$732	\$747	761	\$778	\$796	\$807	\$826	\$844
	860	888	945	981	986	995	1004	1013	1050
K38BB	815	832	847	861	878	896	907	926	944
	960	988	1045	1081	1086	1095	1104	1113	1150
K38CC	715	732	747	761	778	796	807	826	844
	860	888	945	981	986	995	1004	1013	1050
K38DD	815	832	847	861	878	896	907	926	944
	960	988	1045	1081	1086	1095	1104	1113	1150

Options:

Description	How to Specify	Add \$ to Price
Seat slider	Specify SL	+\$100

Specifying Tips:

- Matched directional fabrics may not be aligned due to chair shape and contour.

How to Specify:

- ① Model
- ② **Seat:** Alliance partner designator and upholstery grade:
CAR[grade] = Carnegie
KNL[grade] = KnollTextiles
MHM[grade] = Maharam
MAF[grade] = Mayer Fabrics
- ③ Upholstery number
- ④ Seat slider:
SL = With seat slider (+\$)
X = None

Sample (base model underlined):

① ② ③ ④
K38AA CARJ 6136_10 X

