

These instructions provide the basic information for installing door frames. A door frame may be installed in Straight Configuration (Figure A), Corner Configuration (Figure B), or "T" Configuration (Figure C).

**1** Insert glides on bottom of door frame into openings in threshold (Figure A).

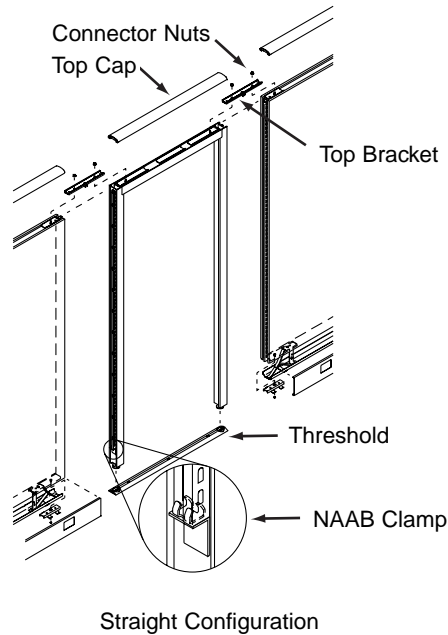
**2** Slide Door Frame into position next to adjacent panel. Lift adjacent panel and seat "J" member onto NAAB clamp on Door Frame. Ensure "J" member seats fully on NAAB clamp. (Use rubber mallet or bend NAAB slightly using slotted screwdriver). It may be necessary to adjust the glides on the bottom of the Door Frame to achieve a solid fit. Level the panel and Door Frame.

**3** Install top bracket and connector nuts to finish connection of panel to door frame (Figure A). Repeat process to connect next panel in run.

**4** To assemble a corner configuration, follow Steps 1 and 2 to attach door frame to panel run.

**5** Attach "L" connector post to door frame by seating "J" member of "L" connector post onto NAAB clamp of door frame. Make sure "L" connector post seats fully.

**Figure A**



# Cetra<sup>®</sup> \ Footprint<sup>®</sup>

Assembly Instructions

## Door Frame Installation

### Recommended Tools

- Level
- 7/16" Socket
- Ratchet
- Rubber Mallet
- Wrench
- Tape Measure
- Slotted Screwdriver

### Package Contents

	Qty.
• Frame Unit	1
• Threshold	1



Telephone 800.482.1818  
 Fax 812.482.8300  
[www.furniture.kimball.com](http://www.furniture.kimball.com)

Form #AICEPA005-00  
 #1477315

Printed in U.S.A.  
 © 2000 Kimball International, Inc.

Proper product installation, in accordance with these instructions, is the responsibility of the installing agent. If you have any questions concerning these instructions, please call Kimball Customer Care Teams.

# Cetra<sup>®</sup> \ Footprint<sup>®</sup>

Assembly Instructions

## Door Frame Installation

**6** Move next panel into position. Next panel must have bottom door bracket (ABD) attached (Figure B). Slightly lift the “L” connector post and insert the post “J” member into the NAAB clamp on the bottom bracket of the next panel.

**7** When door frame, post and panel are fully seated, attach top “L” Bracket with connector nuts. If necessary, use rubber mallet to fully seat “L” bracket (Figure B). Do not hit wood top cap.

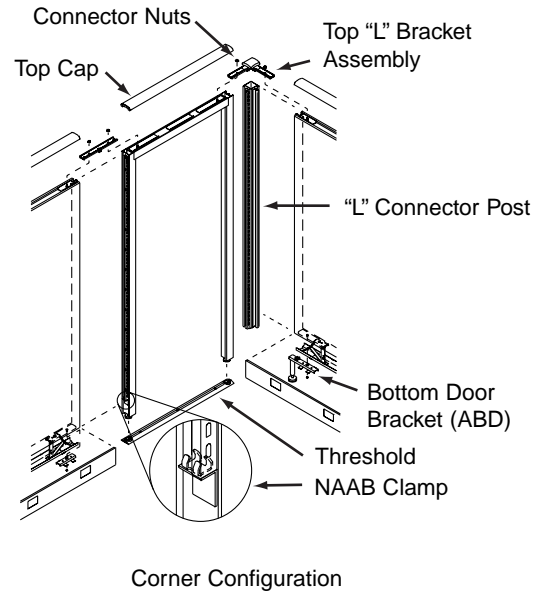
**Note:** To ensure sufficient support, a door frame must not be placed more than one 36-inch panel width from a directional connector or a support post.

**8** To assemble a “T” configuration, follow Steps 1 and 2 to attach door frame to panel run. Attach “T” connector post to door frame by seating “J” member of “T” connector post onto NAAB clamp on door frame (Figure C). The adjacent panels must be connected with a bottom “L” bracket in the integrated configuration.

**9** Move connected panels into position near “T” connector post. Slightly lift the “T” connector post and insert “J” members of both remaining sides into NAAB clamps in bottom “L” bracket.

When door frame, post and adjacent panels are fully seated, attach top “T” bracket with connector nuts (Figure C). If necessary, use rubber mallet to fully seat “T” bracket.

**Figure B**



**Figure C**

