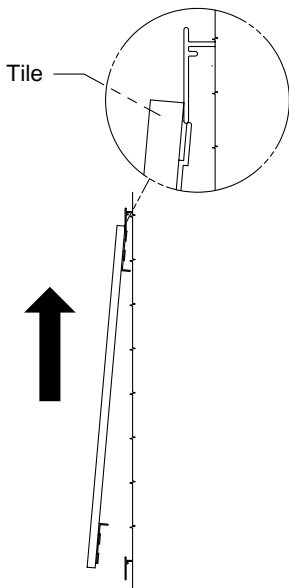


**1** Fabric, paint, and wood sectional tile inserts are secured to the sectional panel frames by the horizontal mounting brackets attached to the back of the tile. The product label indicates the top of the tile (Figure A).

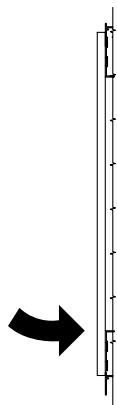
Insert the bottom tile on the panel and continue up to the top tile. To reconfigure, begin with the top tile and continue down to the bottom tile.

**Note:** When installing or removing tiles the top cap and wireway covers should not be installed.

**2** Insert the bracket on the top side of the tile onto the upper rail on the panel frame (Figure B).



**Figure B**

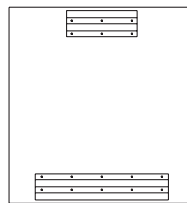


**Figure C**

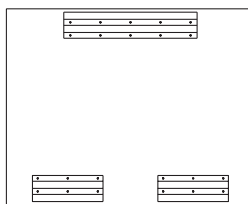
**3** Push bottom of tile inward and lift upward until tile stops (Figure C).

**4** Push tile downward until fully seated (Figure D).

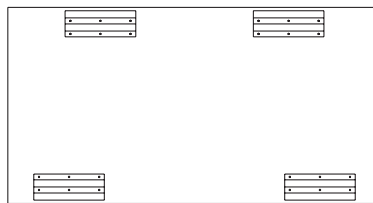
**Figure A**



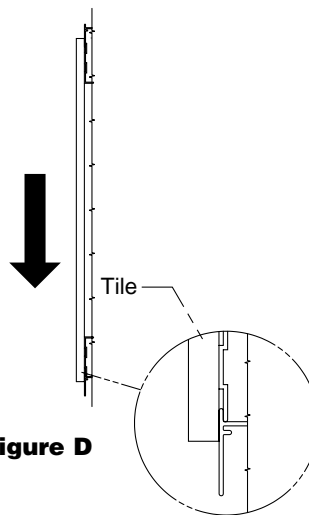
18" Wide Panel



24" Wide Panel



30" - 48" Wide Panel



**Figure D**

**See other side for Glazed, Pass-thru and Ventilated Sectional Tile Installation.**

# Cetra<sup>®</sup> Footprint<sup>®</sup>

Assembly Instructions

## Fabric, Paint and Wood Veneer Sectional Tile Installation

### Recommended Tools

- None required



Telephone 800.482.1818  
Fax 812.482.8300  
www.furniture.kimball.com

Form #AISYCE003B-01  
#1170364

Printed in U.S.A.  
© 2001 Kimball International, Inc.

Proper product installation, in accordance with these instructions, is the responsibility of the installing agent. If you have any questions concerning these instructions, please call Kimball Customer Care Teams.

# Cetra\ Footprint

Assembly Instructions

## Glazed, Pass-Thru and Ventilated Sectional Tile Installation

### Recommended Tools

- None required

### Package Contents

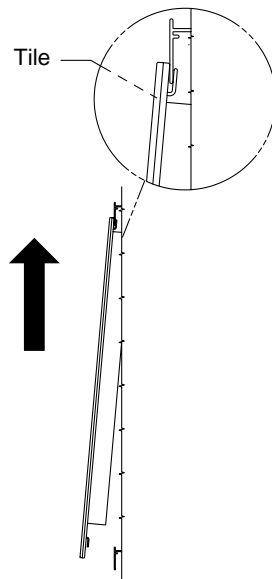
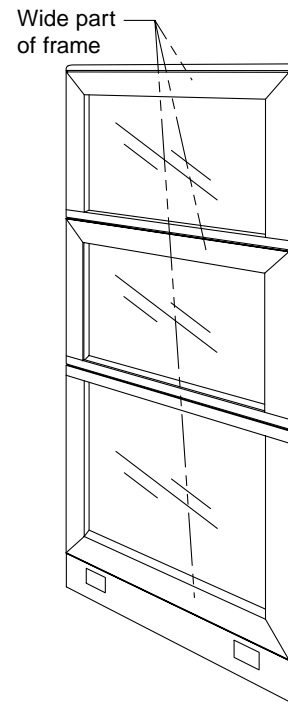
- Sectional Tile(s) 1 or 2

**1**

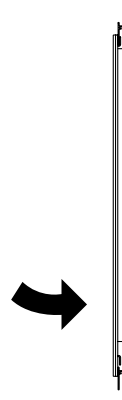
Glazed, pass-thru and ventilated sectional tiles are secured to the sectional panel frame by horizontal clips attached to the back of the tile. If the tile is located on the bottom of the panel you will be required to use an ABFU bracket reference Form #AISYCE009. The ABFU bracket is packaged separately. Bottom tiles must be installed with the wide part of the tile frame at the bottom. Middle tiles can be installed with the widest part of the tile frame at either the top or bottom. Top tiles must be installed with wide part of the tile frame at the top (Figure A). Pass-thru tiles can only be installed in the middle positions. Glazed and ventilated tiles cannot be installed on 30" high panel frames. Insert the bottom tile and continue up to the top tile. To reconfigure, begin with the top tile and continue down to the bottom tile.

**Note:** When installing or removing tiles the top cap and wireway covers should not be installed.

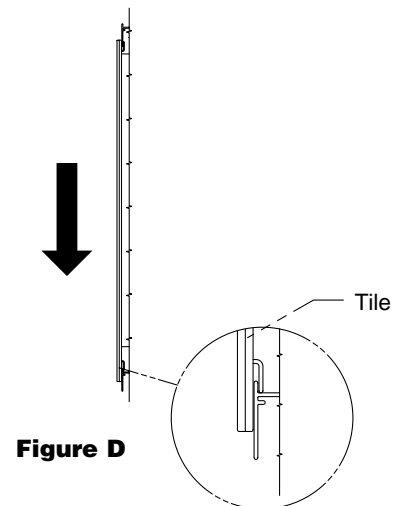
**Figure A**



**Figure B**



**Figure C**



**Figure D**

**2**

Insert top tile bracket onto the upper rail on the panel (Figure B).

**3**

Push bottom inward and lift upward until tile stops (Figure C).

**4**

Push tile downward until fully seated (Figure D).

**2**

Proper product installation, in accordance with these instructions, is the responsibility of the installing agent. If you have any questions concerning these instructions, please call Kimball Customer Care Teams.