

Figure A

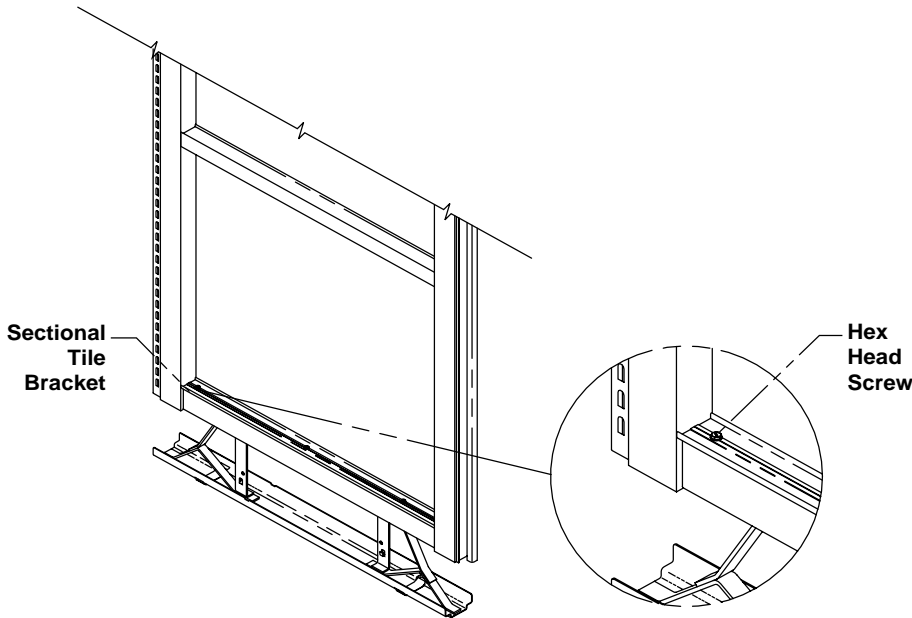
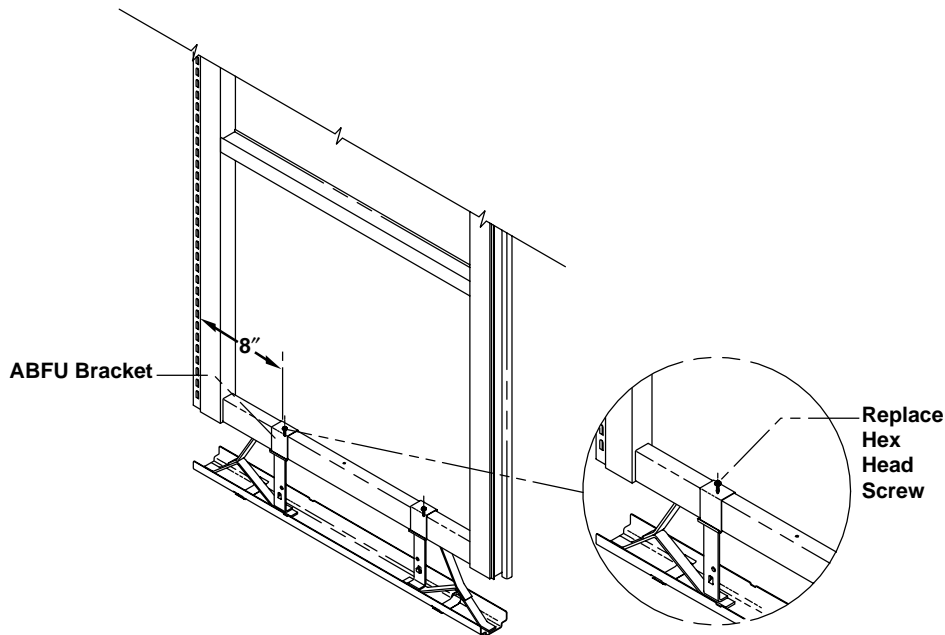


Figure B



Note:

The ABFU brackets are only required when using a glazed or ventilated tile on the bottom of a sectional panel frame.

1

Remove the current sectional tile bracket by removing all the hex head screws on the bracket (Figure A).

2

Place the ABFU bracket 8" from the outside edge of the panel frame and attach with the screws removed in Step 1 (Figure B).

Note:

Two brackets are required for 18", 24", 30", and 36" wide tiles. Three brackets are required for 42" and 48" wide tiles.

Cetra®

Assembly Instructions

ABFU Bracket Installation

Recommended Tools

Screw Gun

1/4" Socket

KIMBALL®

Telephone 800.482.1818
Fax 812.482.8300

Form #AISYCE009-96

Printed in U.S.A.

© Kimball International, Inc. 1995

Proper product installation, in accordance with these instructions, is the responsibility of the installing agent. If you have any questions concerning these instructions, please call Kimball Customer Service.