

## Top Cap Installation

### Installation

1. Install top caps progressing away from connectors (figure A)
2. Apply pressure on one side of the top cap (figure B).
3. Push down on opposite side and continue until the top cap's "U" channel snaps into panel "U" channel (figure B).

**Note:** Be sure to control gaps over reveals.

Figure A

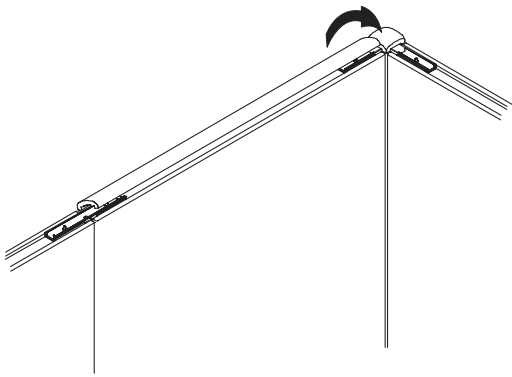


Figure B

