

Starter Panel Installation

Tools Required

- Tape Measure
- Level 4 ft. or greater
- Philips screwdriver
- Wall fastener
- Fastener tool

Package Contents

- U channel
- Starter Panel
- 1/4" X 20 X 1/2" Phillips pan head screw
- 1/4" X 20 weld nuts

Installation

1. Install the 1/4" X 20 X 1/2" Phillips pan head screws through the holes on the inside of the "U" channel (figure A)

Note: For Panels Less than upper Traxx height use secondary fastening (figure A1)

Note: Wall fasteners and hole location are the responsibility of the Installer

2. Hand turn the 1/2" x 20 weld nuts onto the screws (figure A). Orient weld nut horizontally to allow insertion into Traxx. Do not tighten.
3. Position the starter panel "U" channel against Traxx at desired location (figure B).
4. Level/plumb the "U" channel (figure B).
5. Tighten screws until the "U" channel is tight against the Traxx (figure B).

Note: The top edge of the "U" channel should be even with the top of the upper Traxx when the panel is the same height of the upper Traxx.

Recommended Fasteners

Dry Wall: Must be at least 5/8" thick. Use 3/16" hollow wall fasteners or 3/16" toggle bolts with countersunk flat head machine screws.

Wood Studs: Must be nominal 2" x 4" size, on no more than 24" center with maximum height of 14 feet restrained at floor and ceiling. Use #10x2" countersunk flat head screws.

Metal Studs: Must be "C" channel, 20 gauge, on no more than 24" center. Maximum height of 14 feet restrained at floor and ceiling. Use 3/16" hollow wall fasteners or 3/16" toggle bolts with countersunk flat head machine screws.

Concrete: Use concrete wall anchors with #10x1 1/2" countersunk flat head machine screws.

Figure A

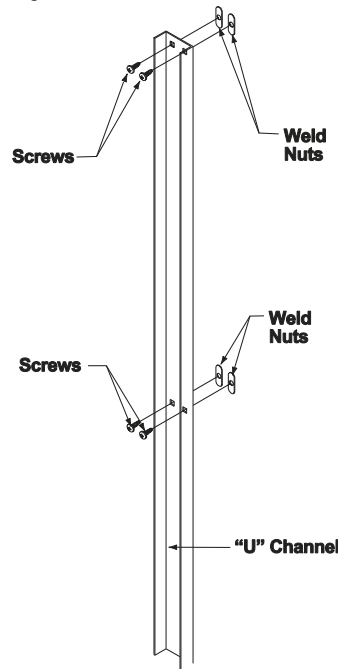


Figure A1

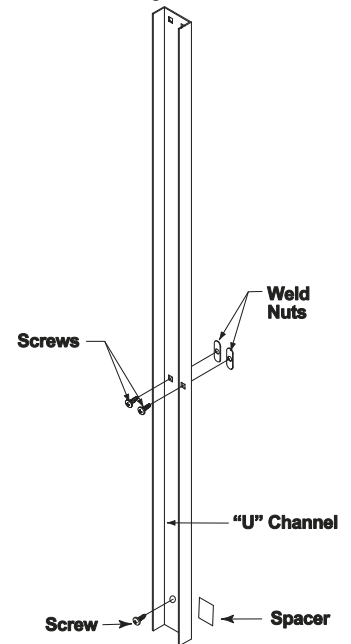
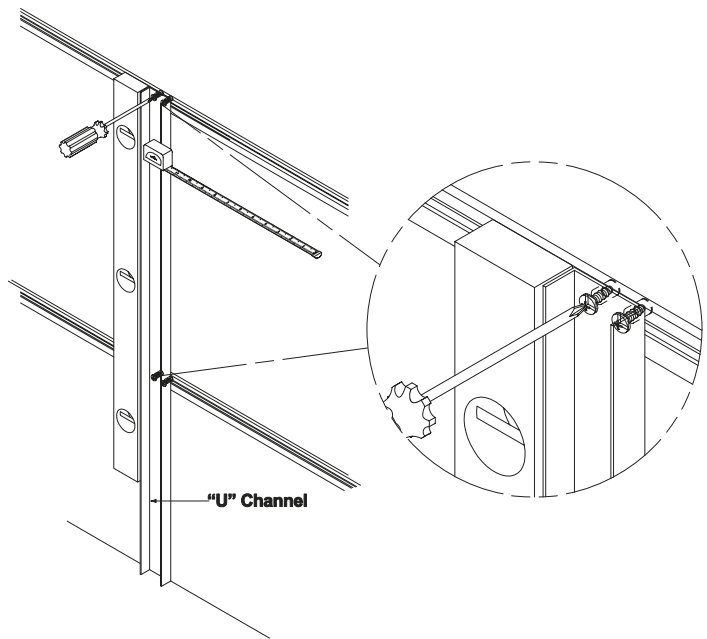


Figure B



Starter Panel Installation

6. Attach bottom panel to panel bracket to starter panel (figure C).
7. Insert the starter panel into “U” channel (figure D).
8. Level/plumb starter panel.

Note: The top edge of the starter panel should be even with the top of the “U” channel.

Figure C

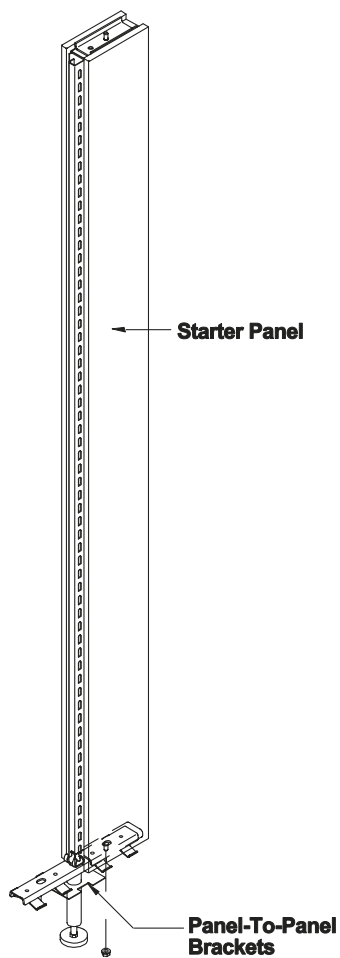


Figure D

