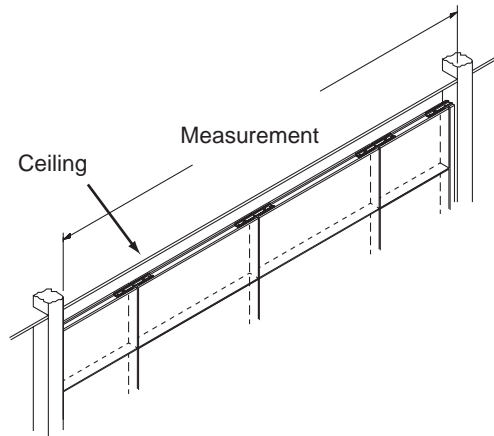


**Note:** The Floor-to-Ceiling Top Channel is supplied in two twelve (12) foot lengths.

**1** Straight Length:  
Measure length of panel run close to the ceiling. Cut Top Channel to appropriate length for panel run. A table saw is recommended to get Top Channel Floor-to-Ceiling as square as possible for best fit (Figure A).

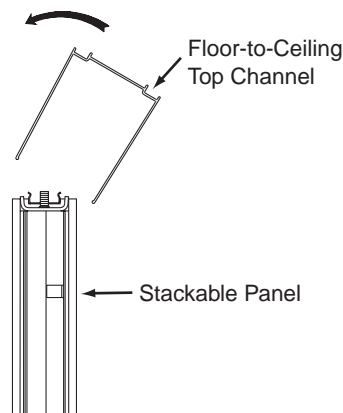
**Hint:** Where cost effective, align butt joints of channels with vertical edges of panels.

**Figure A**



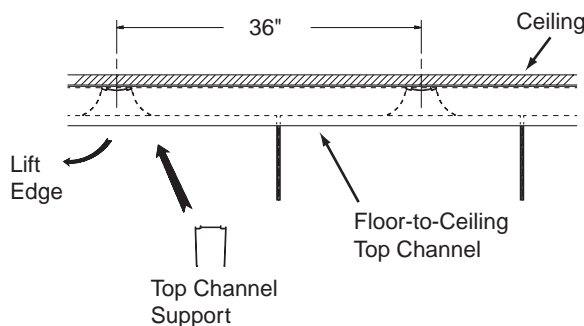
**2** Hold channel at slight angle and “roll” over top edge of panel as shown (Figure B).

**Figure B**



**3** Lift edge of Top Channel and insert Top Channel Support as shown to raise Channel to ceiling. Place Top Channel Supports approximately 36" apart (Figure C).

**Figure C**



# Cetra®

Assembly Instructions

## Stackable Panel

### Floor-to-Ceiling Top Channel

#### Recommended Tools

- Tape measure
- Table saw

#### Package Contents

	Qty.
• Floor-to-Ceiling Top Channel	2
• Top Channel Support	8



Telephone 800.482.1818  
Fax 812.482.8300  
www.furniture.kimball.com

Form #AICEFC001-99  
#1395503

Printed in U.S.A.  
© 1999 Kimball International, Inc.

Proper product installation, in accordance with these instructions, is the responsibility of the installing agent. If you have any questions concerning these instructions, please call your Kimball Customer Care Team.

# Cetra®

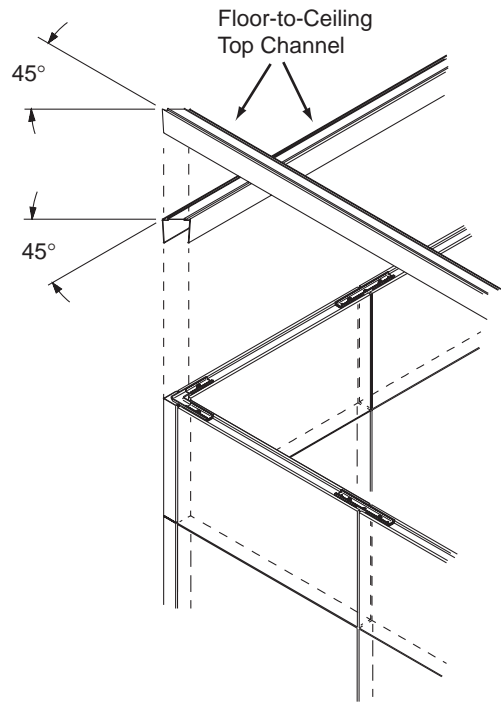
Assembly Instructions

## Stackable Panel

### Floor-to-Ceiling Top Channel

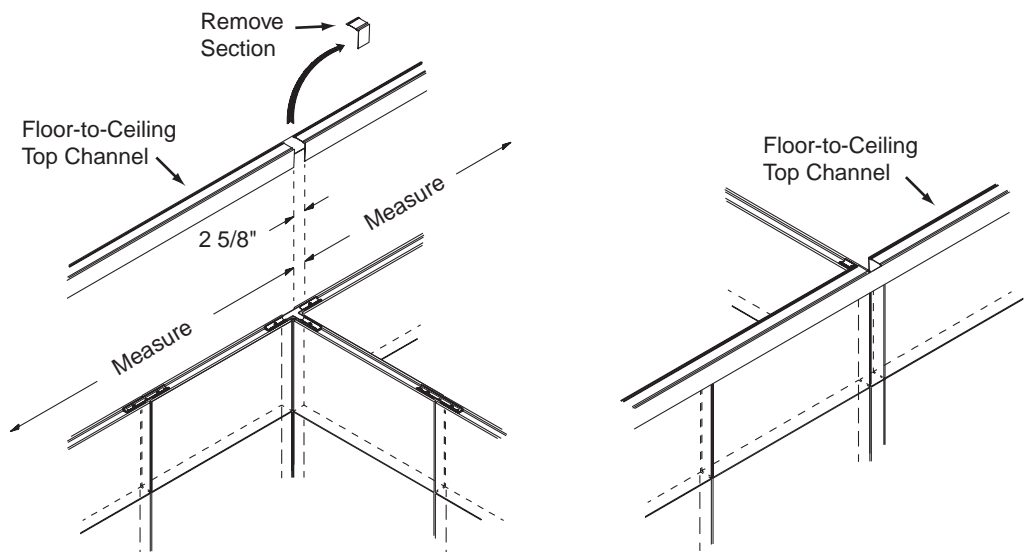
- 4** “L” Configuration:  
Start at corner of panel connector and miter 2 lengths of Channel at 45° as shown (Figure D). Add straight lengths of Channels as required to complete run. Repeat Steps 2 and 3.

**Figure D**



- 5** “T” Configuration:  
Measure distances required from each direction of the “T” Connector. Remove a section of the Channel 2 5/8" wide as shown. DO NOT CUT thru outer leg of Channel. Repeat Steps 2 and 3 (Figure E).

**Figure E**



Proper product installation, in accordance with these instructions, is the responsibility of the installing agent. If you have any questions concerning these instructions, please call your Kimball Customer Care Team.