

Vertical Trim—End and Hi-Lo

Tools Required

- Cordless Drill/Driver
- 3/16" Hex Head Driver/Bit

Installation

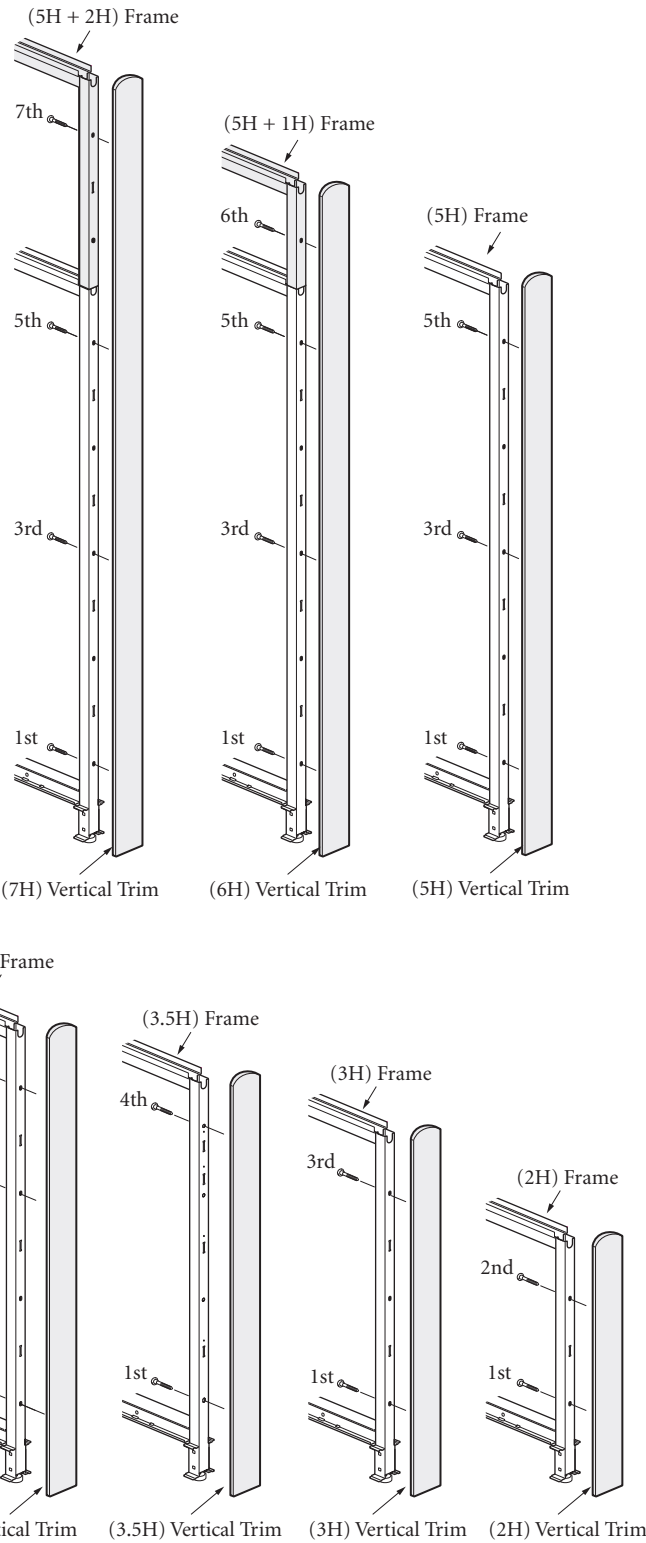
Vertical Trim—End:

Note: End trims are attached to the frame verticals with bolts. (Figure A).

1. Align the fasteners on the back side of the end trims with the holes in the verticals.
2. Using 2" connector/end trim bolts connect end trim to frame using the number of bolts shown. (Figure A).

Important: When installing flat profile end trims, turn torque to lowest setting.

Figure A



Proper product installation, in accordance with these instructions, is the responsibility of the installing agent. If you have any questions concerning these instructions, please call Kimball Office Customer Service.

Installation (continued)

Hi-Low Trim (1H, 2H, H06, H07, H18 & H19):

1. Hook the top hi-lo bracket into the top of the frame vertical or connector. (Figures B & C).
2. Insert screw provided through bottom hi-lo bracket and into the frame vertical or connector. The bottom bracket is slotted for vertical adjustment, if needed. (Figures B & C).

Hi-Low Trim (3H, 4H & 5H):

Note: 3H, 4H and 5H hi-lo trims have 3M Dual Lock to prevent bowing in the middle.

1. Peel the backing off of the 3M Dual Lock material near the middle of the backside of the trim.
2. Hook the top hi-lo bracket into the top of the frame vertical or connector (Figures B & C) being careful not to touch the adhesive until the trim is fully seated in its final position. (Figure D).
3. Once the trim is positioned, press firmly against the trim to ensure the adhesive bonds to either the frame vertical or connector.
4. Insert screw provided through bottom hi-lo bracket and into frame vertical or connector. The bottom bracket is slotted for vertical adjustment, if needed. (Figure D).

Figure B

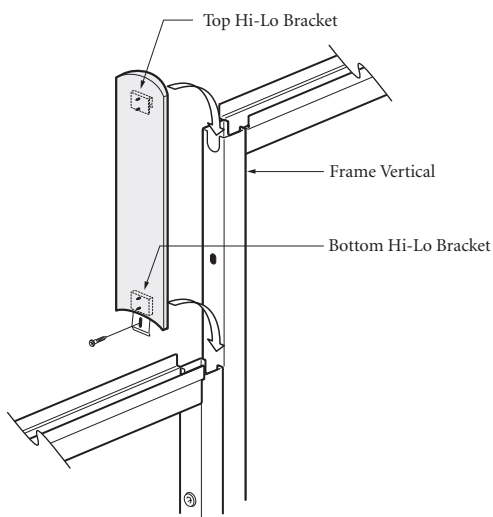


Figure C

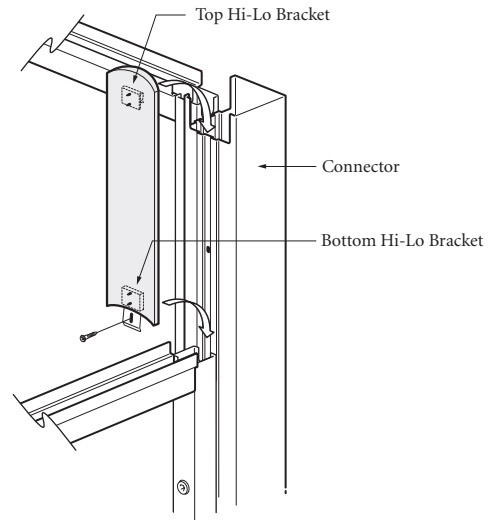


Figure D

