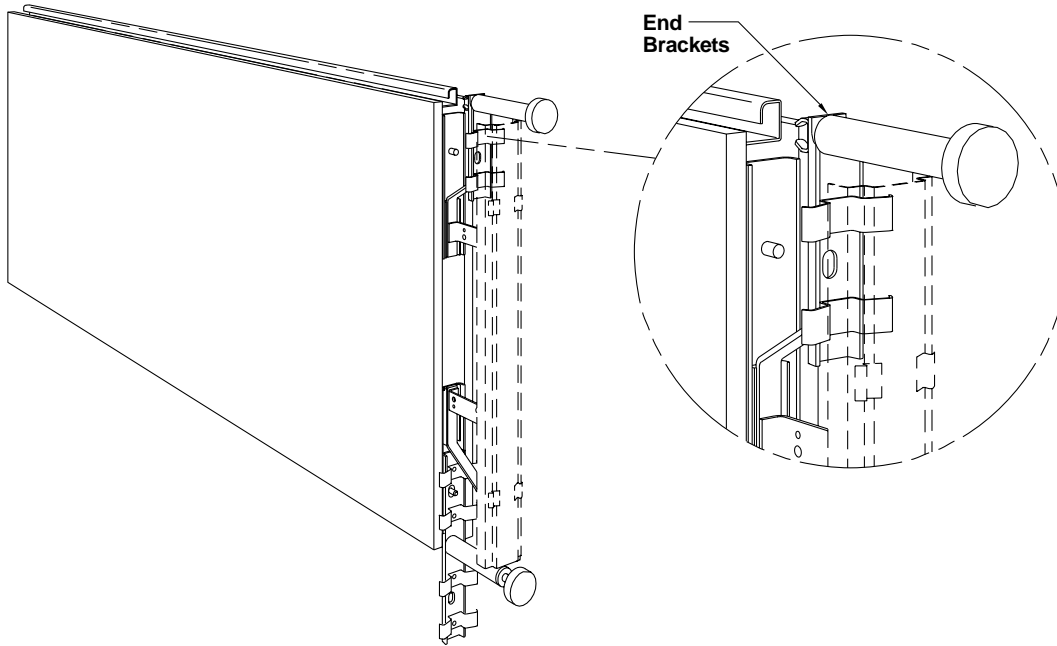


Figure A



1

Attach end bracket to correct panel, reference Panel Assembly Instruction form # AISYCE001 (Figure A).

2

Attach wall mount connector post to first panel in run, reference Panel Assembly Instruction Sheet form # AISYCE001 (Figure B).

Figure B

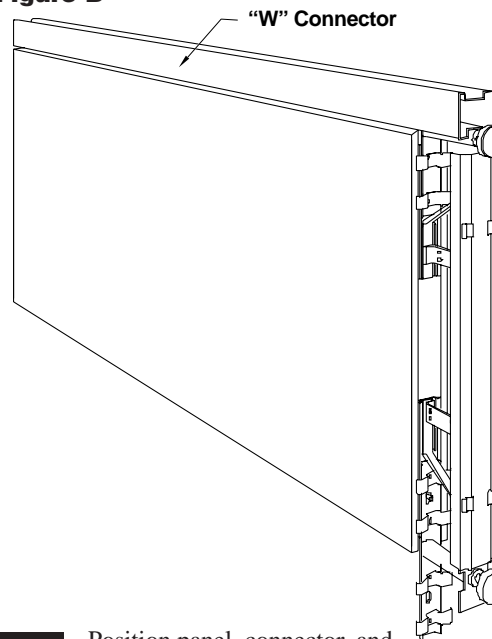
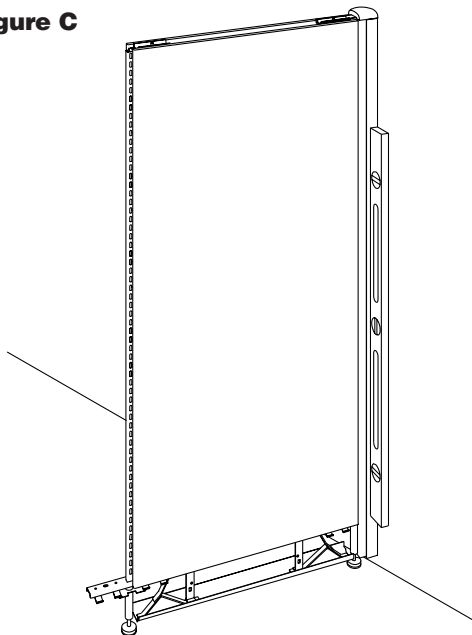


Figure C



3

Position panel, connector, and "U" channel at correct starting point on wall. Plumb and level panel/connector assembly. A shim may be required to make wall mount plumb with the wall. If attaching wall mount next to TRAXX, level top of wall mount with top of Traxx. Mark the location of wall mount (Figure C&D).

Cetra®

Assembly Instructions

"W" Wall Mount Connector Installation

Recommended Tools

- Level (4 ft. or greater)
- Variable Speed Drill with Torque Option
- Drill Bits
- Tape Measure
- Additional tools may be required depending on type of fastener.



Telephone 800.482.1818
Fax 812.482.8300

Form #AISYCE026

Printed in U.S.A.

© Kimball International, Inc. 1996

Proper product installation, in accordance with these instructions, is the responsibility of the installing agent. If you have any questions concerning these instructions, please call Kimball Customer Service.

Cetra®

Assembly Instructions

**"W" Wall
Mount
Connector
Installation**

- 4** Determine wall construction and anchoring method for proper load support. Select the appropriate fasteners for type of structural wall.

Notice:

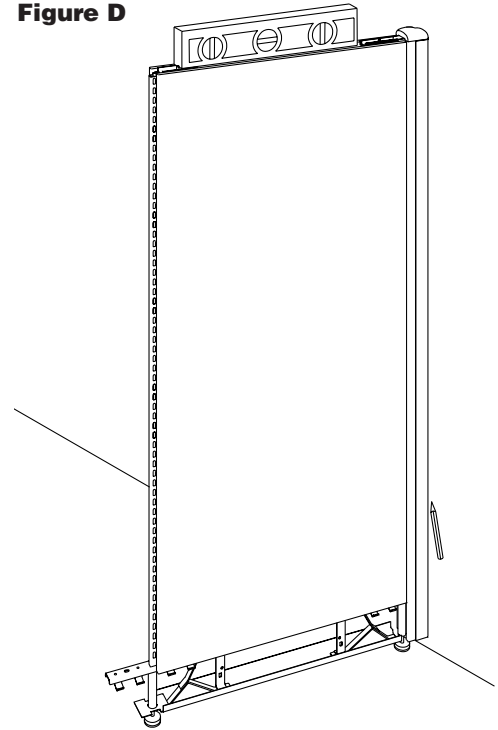
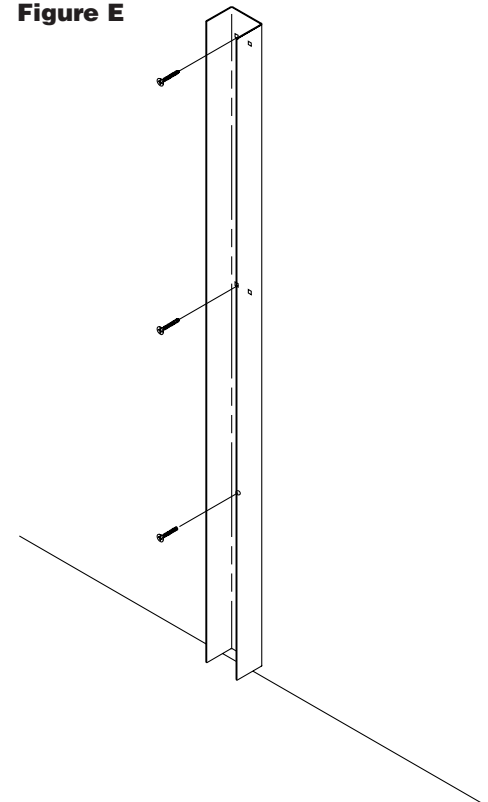
It is the responsibility of the installer and/or the contractor to select and install the proper fasteners in the structural wall. Kimball International does not furnish fasteners or assume liability for their use.

- 5** Prepare wall for the "U" channel attachment by pre-drilling for and/or installing fasteners per manufacturer's guidelines.

- 6** Drill the appropriate diameter hole in "U" channel per the fastener manufacturer's guidelines (Figure E).

- 7** Secure "U" channel to wall using appropriate fasteners. Minimum of two fasteners required.

- 8** Insert the connector and panel into the "U" channel (Figure E).

Figure D**Figure E**

Proper product installation, in accordance with these instructions, is the responsibility of the installing agent. If you have any questions concerning these instructions, please call Kimball Customer Service.