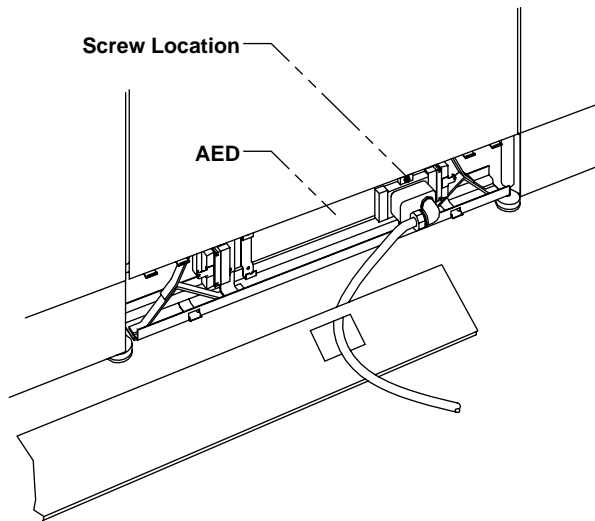
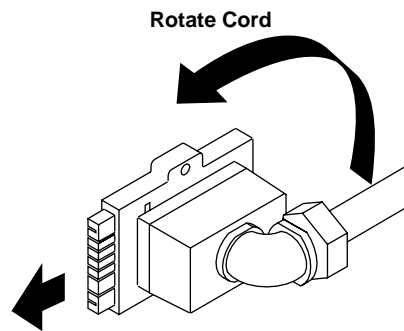


**Figure A**



**Figure B**



**Note:**

Power entry connections must be made by a licensed electrician only. Installation must be in accordance with the National Electrical Code and Local Codes. See the following pages for ten-wire wiring schematic instructions for circuit connection options.

- 1** Locate floor power entry according to electrical plan. Insert floor power entry (AEF14L/R) into receptacle location of the power distribution assembly (AED) (Figure A).

Ten-wire floor power entry will only plug into one side of the power distribution assembly (AED). Left/right is determined by which side of the power distribution (AED) the floor power entry (AEF14L/R) is located. Cord direction can be changed by rotating the cord 180 degrees (Figure B).

- 2** Extend power cable through wireway cover. This must be done before the power connections are made (Figure A).

- 3** Plug unit securely into power distribution assembly (AED) and fasten with screws provided.

- 4** Connect power leads to building branch circuit according to wiring schematic installation sheets.

**Warning:**

Do not interconnect panels powered from different feed units. This can cause shock and fire hazard.

This panel system may be connected to more than one source of supply. All sources must be disconnected prior to any servicing. No single circuit may be powered by more than one source.

**See other side for additional steps.**

**Cetra®**

Assembly Instructions

**Enhanced  
10-Wire Floor  
Power Entry  
Installation  
(AEF14L/R)**

**Recommended Tools**

Phillips Screwdriver

**Package  
Contents**

	<b>Qty.</b>
Floor Power Entry Assembly (AEF14L/R)	1
Phillips Head #10 X 3/4" Thread Forming Screws	2

Proper product installation, in accordance with these instructions, is the responsibility of the installing agent. If you have any questions concerning these instructions, please call Kimball Customer Service.



Telephone 800.482.1818  
Fax 812.482.8300

Form #AISYCE006  
#1181231

Printed in U.S.A.  
© Kimball International, Inc. 1995

# Cetra®

Assembly Instructions

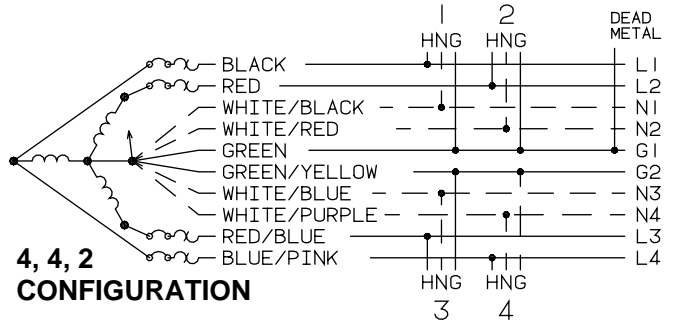
## Enhanced 10-Wire Wiring Schematic 4, 4, 2 Configuration

### 4, 4, 2 CONFIGURATION RECEPTACLES 1, 2, 3, 4

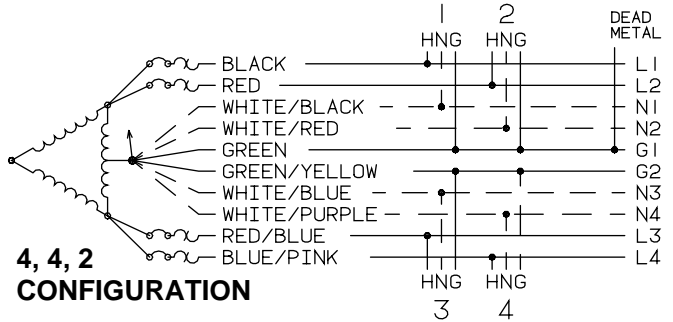
The Cetra enhanced ten-wire electrical system provides up to four circuits using four hot wires, four independent neutrals, a system ground and an isolated ground for circuits three and four.

Circuits 1 and 2 can be wired for general use, using separate neutrals and a common safety ground. Circuits 3 and 4 can be wired for computers using separate neutrals and a shared isolated ground.

### 120/208V WYE 3 PHASE 10-WIRE



### 120/240V DELTA SINGLE PHASE



### 120/240V SINGLE PHASE

