



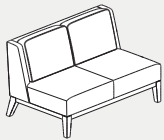
# Overview and Pricing

## Kwik Office Models:



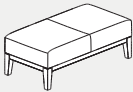
### One-Seat Lounge (QK35AA)

- 34 1/4"D x 29 3/4"W x 35 1/2"H



### Two-Seat Lounge (QK35BB)

- 34 1/4"D x 53 3/4"W x 35 1/2"H



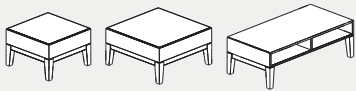
### Bench (QK35KK)

- 24"D x 48"W x 17 1/2"H



### Ottoman (QK35JJ)

- 24"D x 24"W x 17 1/2"H

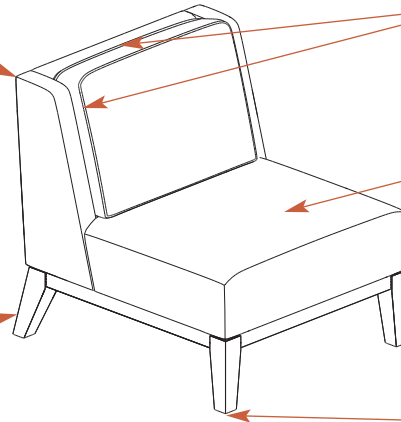


### Tables

- 24"D x 24"W x 16"H (end)
- 30"D x 30"W x 16"H (corner)
- 24"D x 48"W x 16"H (magazine)

**Frame** is constructed of 7/8" plywood, utilizing lap joint construction that is glued and screwed. All upholstered models are standard in kiln-dried maple hardwoods.

**Lounge units** feature a wall-saver back leg.



**Piping** is standard around the entire edge of both the front and back of the back cushion.

**Cushions** are high-resiliency, CFC-free, polyurethane foam.

**Top** of the legs are accented with a decorative reveal.

**Non-skid glides** are 3/4" in diameter and adjustable.

## Features

**Seats** have a high-tension strip webbing suspension that is stapled to the frame.

**Seat cushions** are 5"-thick, high-grade, laminated polyurethane foam that is custom shaped. Seat upholstery features a wrap-around upholstery method and is stapled into place.

**Back** features a non-stretch woven suspension that is stapled to the frame, over which upholstery is placed.

**Back cushions** are 5 1/2"-thick, high-grade polyurethane foam wrapped with 3/4 oz. bonded polyester, which is slipcovered and closed with a zipper.

**Armrest tops and outside panels** are 1/2", high-grade polyurethane foam. The interior arm used 1"-thick, high-grade polyurethane foam. Upholstery is a sewn slipcover that is stapled into place.

**Legs and rails of base frames** are constructed using double dowel and glue constructions with corner blocks which are also glued and screwed to base rails. The rails feature a 1/4" decorative reveal. The base frame is then attached to the

seat frame with wood screws through the corner blocks. Units over 48"L feature additional screws to provide extra support.

**All models are fully upholstered.** Bottom is finished with a black, fabric dust cover prior to the wood frame being attached.

## How to Specify:

- Model:
  - QK35AA** = One-seat lounge
  - QK35BB** = Two-seat lounge
  - QK35KK** = Bench
  - QK35JJ** = Ottoman
  - QK35T242416W** = End table
  - QK35T303016W** = Corner table
  - QK35T244816W** = Mag. table
- Upholstery grade (omit for table)
- Upholstery number (omit for table)
  - ▶ See page 122 for upholstery selections.
- Finish type: **STD** = Group 1
- Finish designator:
  - MC** = Amber **CC** = Cordoba
  - MW** = Midtown **TW** = Tribeca

Sample (base model underlined):

① ② ③ ④ ⑤  
QK35AA 2 20020 STD MW

## Pricing:

Gr	QK35AA	QK35BB
1	\$1763	\$2491
2	\$1897	\$2703
6	\$2315	\$3367
L7	\$2973	\$4411

Gr	QK35KK	QK35JJ
1	\$1555	\$723
2	\$1599	\$764
6	\$1735	\$891
L7	\$1950	\$1091

End	Corner	Mag.
\$1162	\$1374	\$1798