

Interworks® EQ

Panel Set Up and Panel to Panel Connection

Tools Required

Level, 1/2" Wrench or Channel Locks, Screwdriver

Installation

Important: Level panels throughout installation. If stackable panels are to be installed as well, please, review the Stackable Panel Assembly Instruction sheets first for preparation tips.

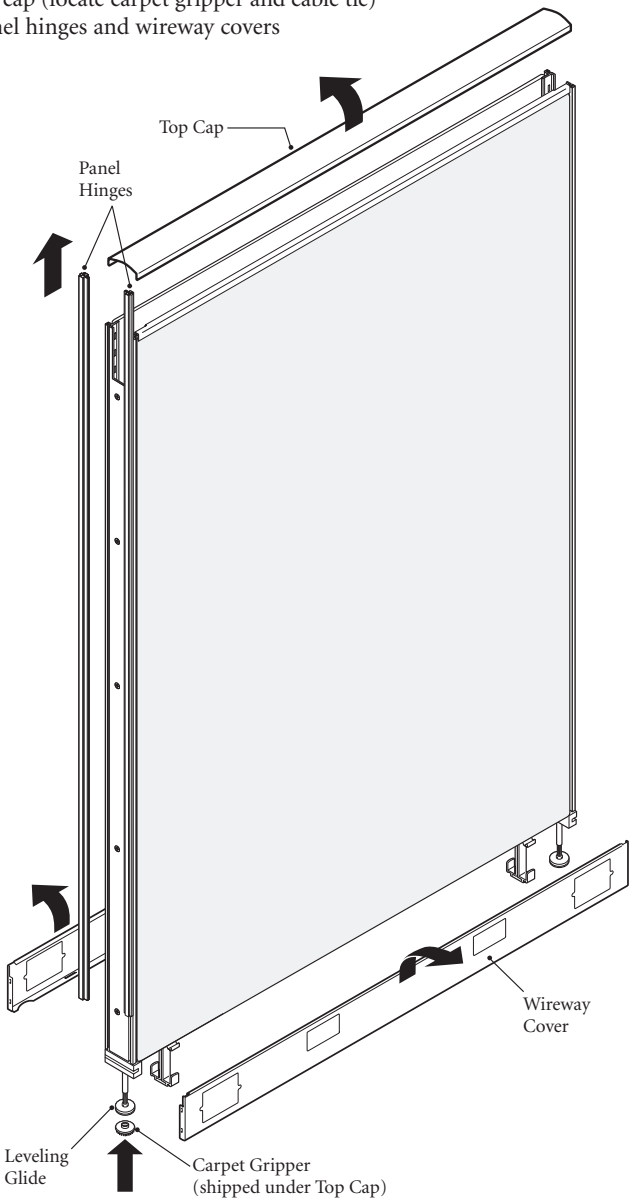
Note: Installation must be in accordance with the National Electrical Code and local codes. Electrically interconnected panels need to be mechanically connected.

These instructions apply to tackable acoustical, glass, and tackable sectional panel. Two people are recommended, start installation at panel intersection at high spot on the floor within layout. If panel configuration includes Traxx®-mounted or wall mounted panel, start installation with that panel.

Step 1

Unpack Panels

- Remove top cap (locate carpet gripper and cable tie)
- Remove panel hinges and wireway covers

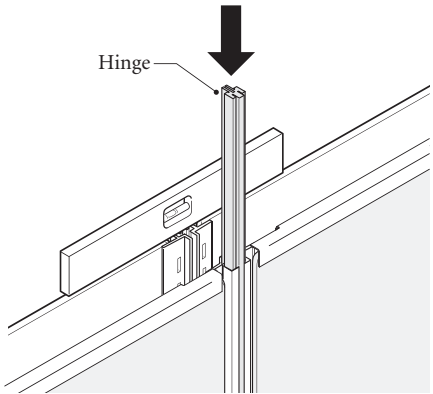


There are two ways to create a 90° panel connection:

Step 2

Hinge

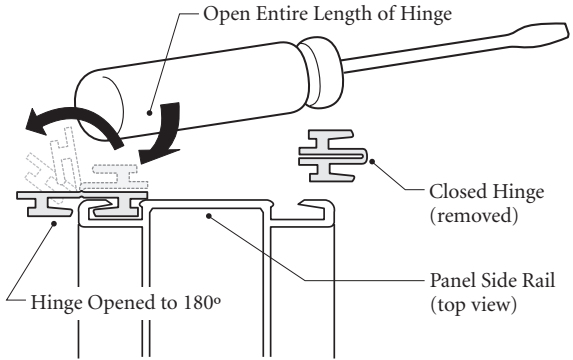
- With panels in a straight line
- Adjust glides; **panels must be level and aligned to each other**
- Connect panels by inserting one hinge



Step 2 Alternate

Open Hinge

- With one hinge in panel side rail, open hinge 180° by running a non-marring object down the entire hinge/panel edge
- Remove hinge from panel side rail



Proper product installation, in accordance with these instructions, is the responsibility of the installing agent. If you have any questions concerning these instructions, please call Kimball Office Customer Service.

Kimball Office

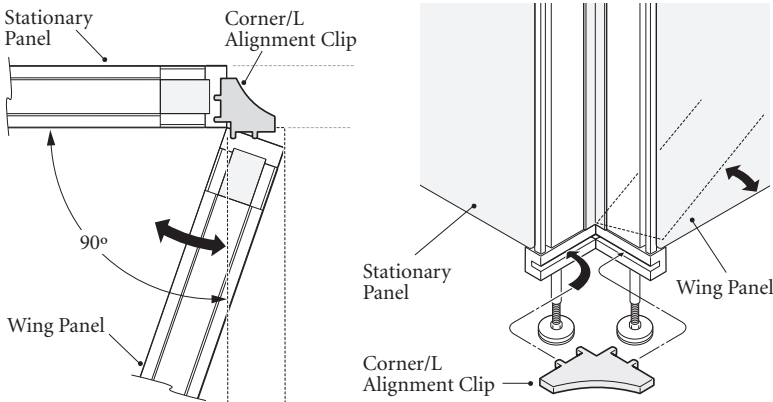
Interworks EQ

Panel Set Up and Panel to Panel Connection, *continued*

Step 3

Hinge/Alignment Clip

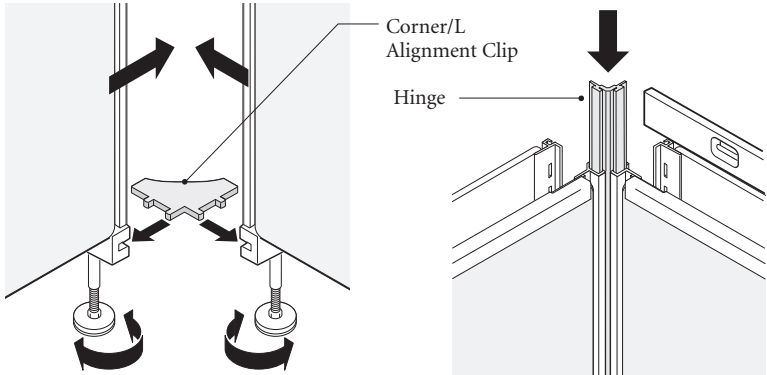
- Swing wing panel beyond 90°
- Insert alignment clip in stationary panel, *gently* tap with mallet, if needed
- Pull wing panel back to 90°, engage alignment clip, *gently* tap with mallet



Step 3 Alternate

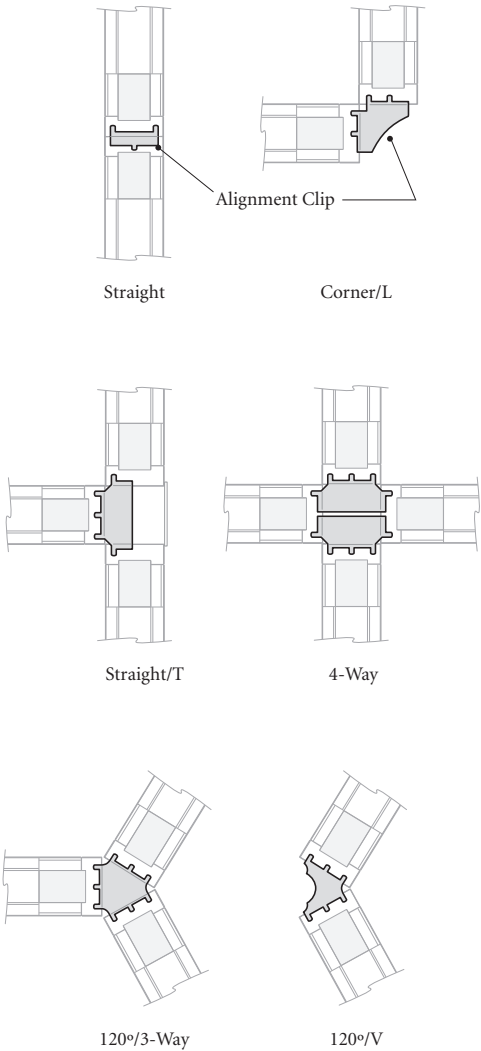
Panels and Alignment Clip

- Align two panels at 90°
- Adjust glides to level panels
- Insert alignment clip into both panels, *gently* tap with rubber mallet if needed
- Fully insert hinge, double check levelness of panels



Panel Connection with Alignment Clip Usage

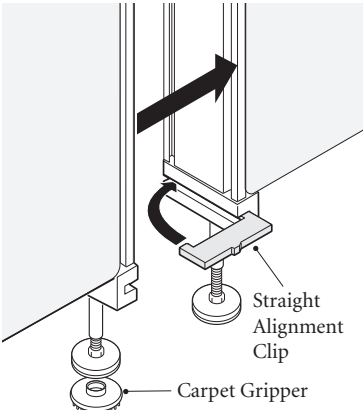
Note: Alignment clips are required for panel stability



Step 4

In-Line Straight Connection

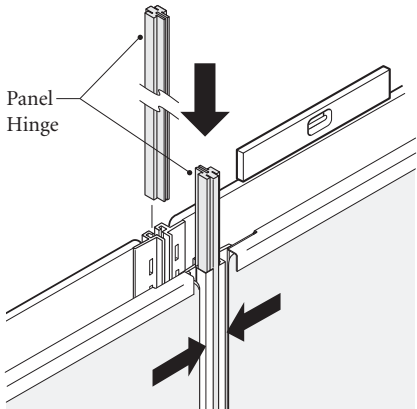
- Insert straight alignment clip
- Adjust leveling glides



Step 5

Connect Panels

- Fully insert panel hinges
- Plumb/level panels
- Install in-line and connector top caps
- Install panel top caps
- Once location of station is approved, install (1) carpet gripper per panel



Proper product installation, in accordance with these instructions, is the responsibility of the installing agent. If you have any questions concerning these instructions, please call Kimball Office Customer Service.

Kimball Office

Interworks EQ

Side Rail Removal

Tools Required
Phillips Screwdriver

Loosening Panel Side Rail

- Remove end trim if installed. (Figure A.)
- Remove side rail screws. (Figure B).
- When re-installing side rail screws, do not over-torque or side rail may deform. (Figure C).

Figure A

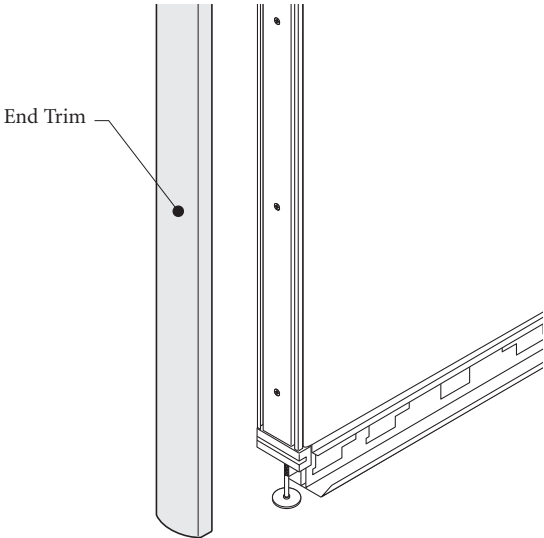


Figure B

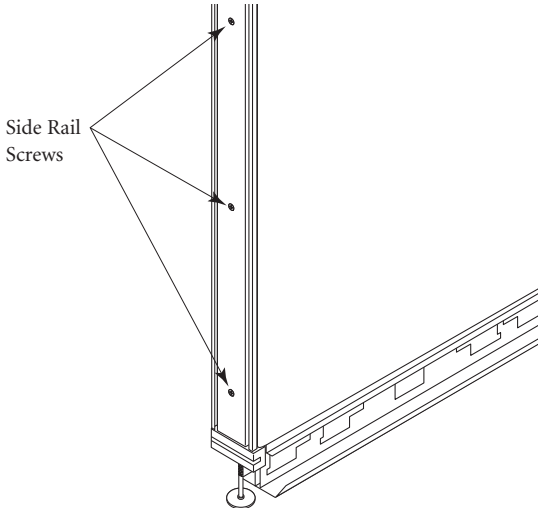
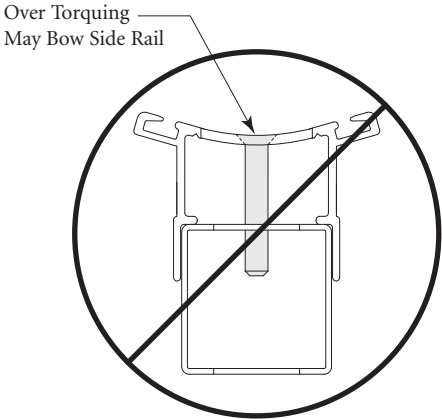
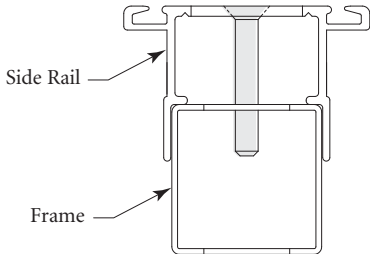


Figure C



Printed in U.S.A. © 2009 Kimball International, Inc. T 800.482.1818 F 812.482.8300

Proper product installation, in accordance with these instructions, is the responsibility of the installing agent. If you have any questions concerning these instructions, please call Kimball Office Customer Service.

Kimball Office