

Off-Module Frame

Tools Required

- Cordless Drill/Driver
- Level
- Tape Measure
- #2 Phillips Screwdriver Bit

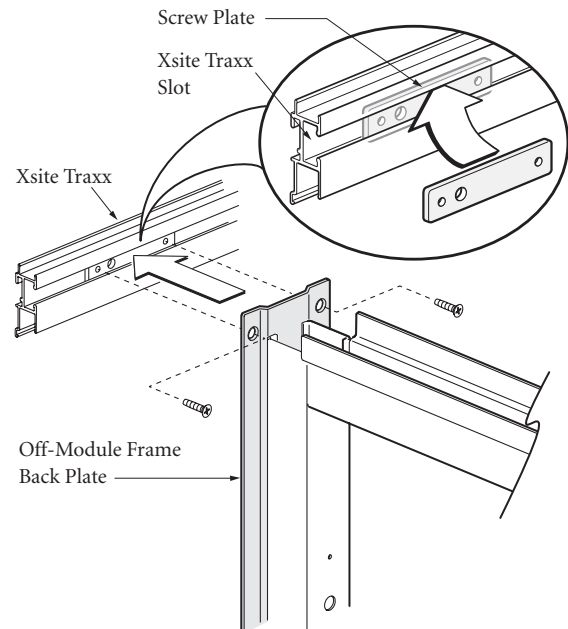
Installation

Note: Off-module frames must be equal to or less than the height of the perpendicular frame or wall mounted Traxx®. Off-module frame must be attached to two separate Xsite Traxx with two screw plates and four screws, or to wall mounted Traxx with four screws.

Installation to Xsite structure:

1. Determine the location where the off-module frame will attach to the perpendicular frame. Mark the location in the slot of the Xsite Traxx.
2. Tilt screw plates up and into slot of Xsite Traxx. Locate the plates to the outside of the mark to maintain accurate dimension for office space. (Figure A).
3. Align holes in off-module frame back plate with holes in screw plate, install screws. (Figure A). Top of off-module frame back plate must align with top of Traxx on perpendicular frame.
4. Check that assembly is plumb and fully tighten screws.

Figure A



Xsite

Installation (continued)

Installation to wall mounted Traxx:

1. Locate wall Traxx and tiles according to assembly instructions included with Traxx and tiles. Install Traxx at heights designated for Cetra and Xsite.
2. Determine the location where the off-module frame will attach to the Traxx. Mark location in slot of Traxx.
3. Pre-drill $\frac{5}{2}$ " hole locations into wall mounted Traxx and wall for placement of off-module frame.

Note: Select appropriate fasteners for your specific application. It is the responsibility of the installer and/or the contractor to select and install the proper fasteners in the structural wall. Kimball International does not furnish fasteners or assume liability for their use. Screws noted below are for drywall applications.

4. Insert two $1\frac{1}{2}$ " #10 flathead sheet metal screws on each side of the back plate on the top of the off-module frame, into pre-drilled holes. (Figure B). The top of the off-module frame back plate must align with the top of the Traxx face.
5. Insert two $1\frac{1}{2}$ " #10 flathead sheet metal screws into the bottom set of holes in the off-module frame back plate at worksurface height to align with lower wall mount Traxx. (Figure B).
6. Check that assembly is plumb and fully tighten all screws.
7. The top of the upper Traxx on the wall will align with the top of the upper Xsite Traxx. The two lower Traxx (wall and Xsite) will be offset by $\frac{9}{16}$ ". (Figure C).
8. Using the appropriate worksurface bracket for each type of Traxx will offset the height difference and provide a level mount for any worksurface.

Figure B

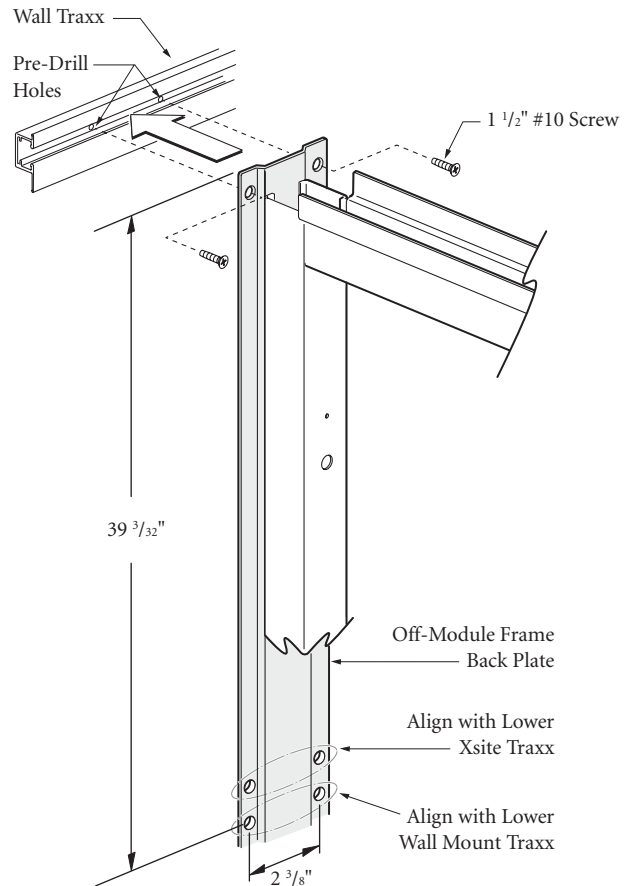
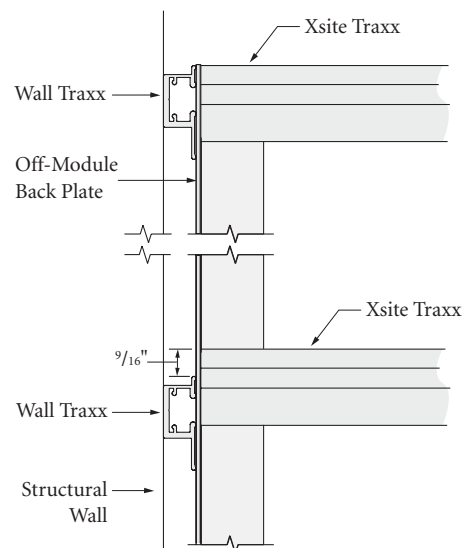


Figure C



Proper product installation, in accordance with these instructions, is the responsibility of the installing agent. If you have any questions concerning these instructions, please call Kimball Office Customer Service.

Kimball[®]Office