

## Half Round Center Drawer

### Tools Required

- Cordless Drill
- #2 Phillips Screwdriver Bit
- 1/8" Drill Bit

### Package Contents

- (2) #10 x 1 1/4" Pan Head Phillips Wood Screws

### Installation

1. Position the front edge of the Center Drawer flush with the front edge of the worksurface. (Figure A)
2. Use the Center Drawer screw holes (in hub) as a locator to drill two 1/8" diameter pilot holes approximately 3/4" deep. (Figure B)
3. Install two #10 x 1 1/4" Pan Head Phillips Wood Screws provided to attach the Center Drawer to the worksurface. Note: Be careful not to over tighten. (Figure C)

Figure B

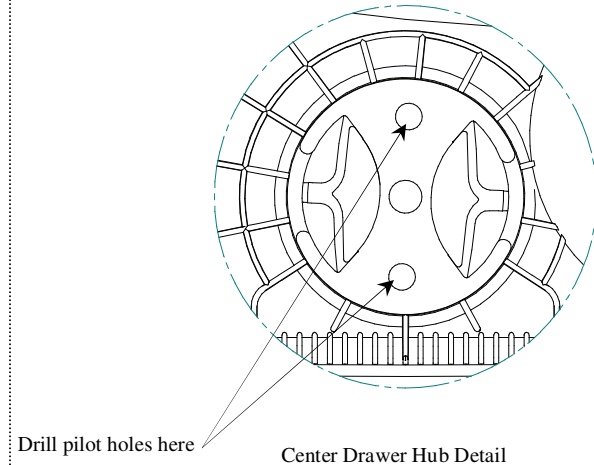


Figure A

Bottom View of Worksurface

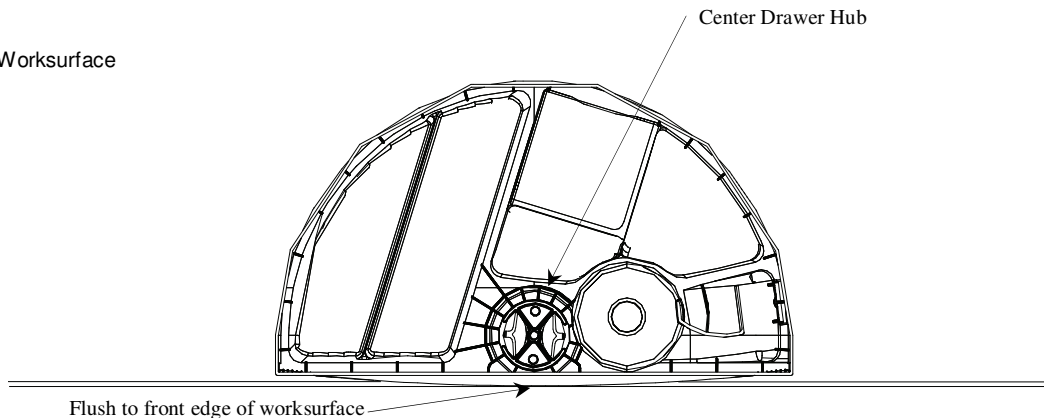
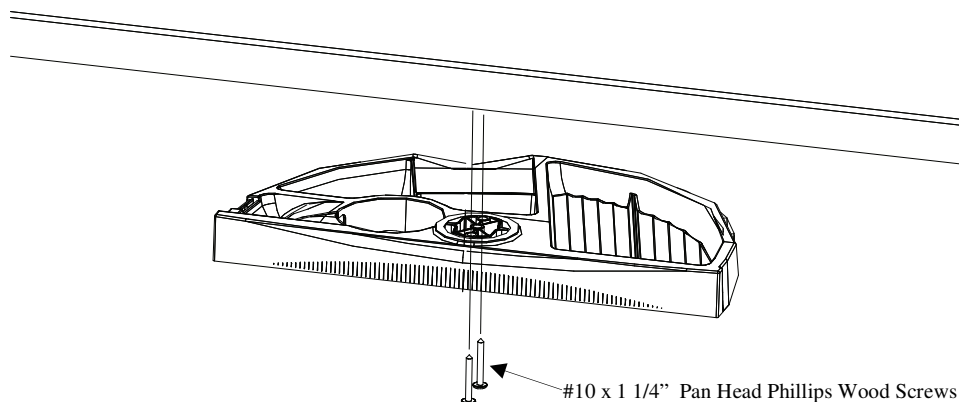


Figure C



Proper product installation, in accordance with these instructions, is the responsibility of the installing agent. If you have any questions concerning these instructions, please call Kimball Office Customer Care.

Kimball® Office