

Interworks®EQ

Panels – Door Panels

Tools Required

Level, Screwdriver, 1/2" Wrench or Channel Locks, Drill-Driver, 1/4" Socket, 4" Extension

Installation

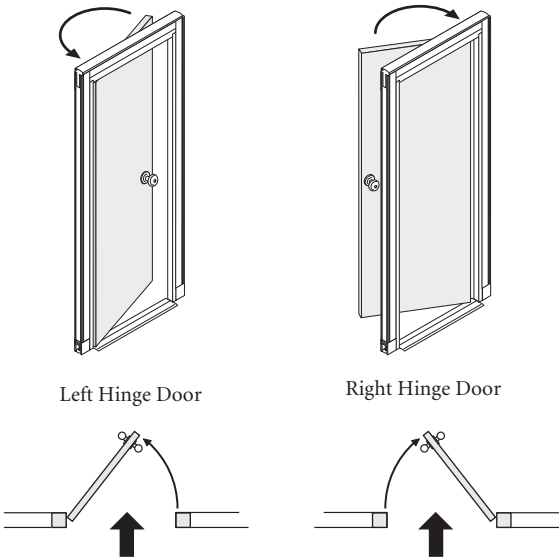
These instructions apply to Interworks EQ hinged doors. Two people are recommended for installation. Door knob must be installed into the door using manufacturer's instructions. Doors cannot be placed adjacent to glass panels.

Double check correct door hinge/swing has been specified: Right hinge, the door will swing away from you to the right. Left hinge, the door will swing away from you to the left.

Step 1

Door Panels

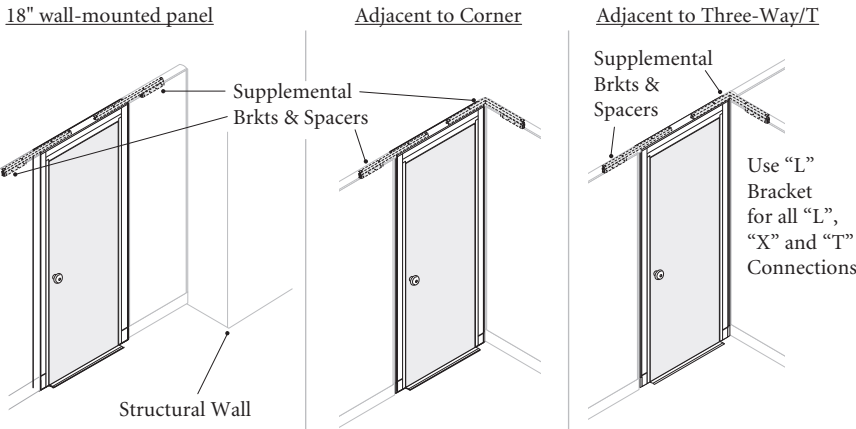
- Install door knob, reference manufacturer's instructions
- Shut and lock door



Step 2

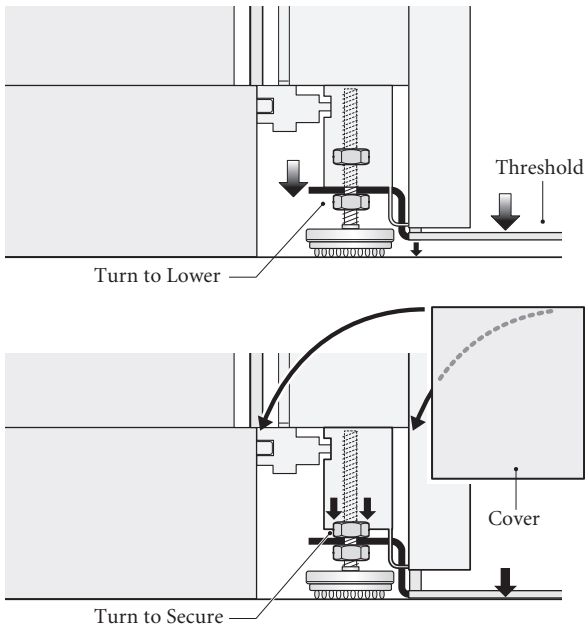
- Adjacent Panels must be level and have carpet grippers installed – if not, doors may not open and close properly
- Connect door panel frame to adjacent panels (see *Panel Set Up Instructions*)
- Level door frame – the reveal around perimeter of door should be even
- Supplemental Brackets and Spacers **MUST BE USED.** (see *Supplemental Brackets and Spacer Instructions, Reference No. 2041394*)

Recommended Hinged Door Configurations



Step 3

- Lower threshold to floor, by adjusting lower hex nut secured to glide
- Secure threshold position with upper hex nut
- Snap cover over glide access area



Proper product installation, in accordance with these instructions, is the responsibility of the installing agent. If you have any questions concerning these instructions, please call Kimball Office Customer Service.

Kimball Office