

# Interworks® EQ

## TRAXX® Starter Kit

### Includes

Wall-mount connector, 60" visual privacy tape, two spacers, weld nut(s) and Traxx screw(s) – two each for 66" and 80"H kits, one for 34" and 62" kits

### Tools Required

Tape Measure, Phillips Screwdriver, Level, Wall Fasteners, Fastener Tools, two Panel Hinges (same height as kit), In-line Fill Cap for gap between Top Cap and Traxx

### Installation

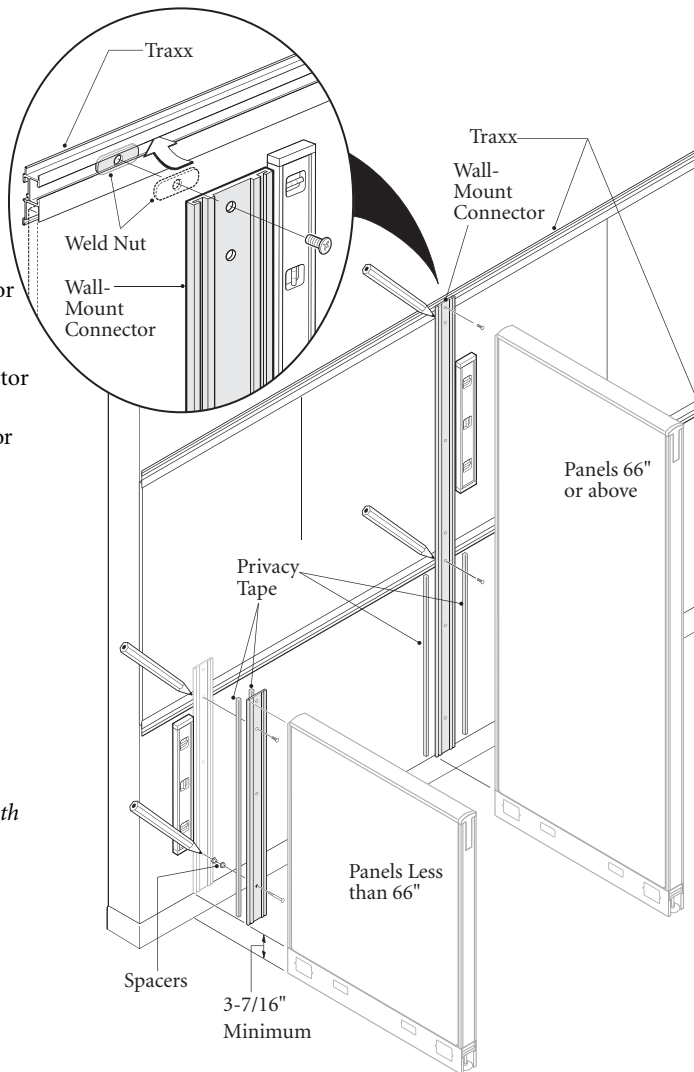
These instructions apply to installation of an Interworks EQ Panel perpendicular to installed Traxx. Attach kit to Traxx and/or wall at minimum of two points. Wall fasteners are Installer's responsibility, see below for fasteners specifications. Kimball does not assume responsibility for their use. To avoid leveling problems, identify high point of floor; adjust panel height to accommodate for the high point of the floor.

#### Step 1A

##### Attach Wall-Mount Connector

For panels less than 66" high or Traxx in lower position only

- Attach wall-mount connector on Traxx so bottom of connector is at least 3<sup>7</sup>/<sub>16</sub>" above floor
  - Cut and attach two strips of privacy tape (approx 28<sup>1</sup>/<sub>2</sub>" ) to connector below Traxx
  - Level wall-mount connector vertically
  - Tighten weld nut
  - Insert fastener through bottom wall mount hole and two spacers
- Note: Wall fasteners are Installer's responsibility.*
- Fasten to wall



#### Step 1B

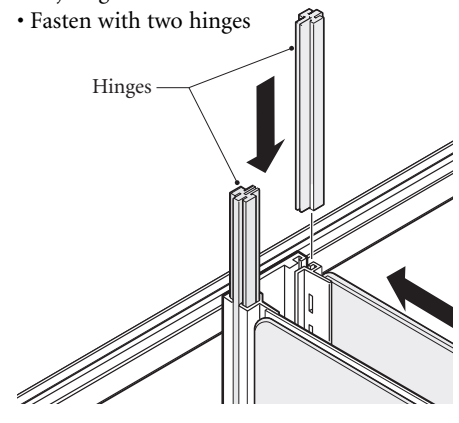
For Panels 66" or higher with Traxx in upper and lower positions

- Follow first four bulleted items in Step 1A
- Fasten weld nut to upper Traxx

#### Step 2

##### Attach Panel

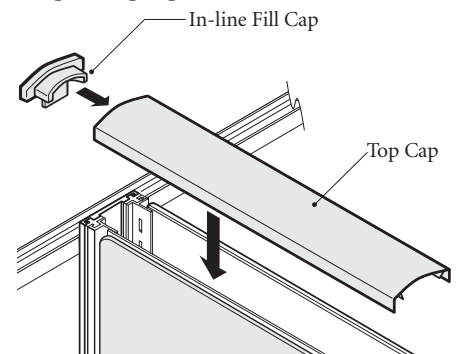
- Remove panel top cap
- Put panel against wall-mount connector
- Adjust glides for level
- Fasten with two hinges



#### Step 3

##### Fill Cap

- Insert in-line fill cap
- Replace top cap



### Recommended Fasteners

- Dry Wall:** Must be at least 5/8" thick. Use 3/16" hollow wall fasteners or 3/16" toggle bolts with countersunk flat head machine screws.
- Wood Studs:** Must be nominal 2" x 4" size, on no more than 24" center with maximum height of 14 feet restrained at floor and ceiling. Use #10x2" countersunk flat head screws.
- Metal Studs:** Must be "C" channel, 20 gauge, on no more than 24" center. Maximum height of 14 feet restrained at floor and ceiling. Use 3/16" hollow wall fasteners or 3/16" toggle bolts with countersunk flat head machine screws.
- Concrete:** Use concrete wall anchors with #10x1 1/2" countersunk flat head machine screws.

Proper product installation, in accordance with these instructions, is the responsibility of the installing agent. If you have any questions concerning these instructions, please call Kimball Office Customer Service.

Kimball Office