

Interworks® EQ

Power Distribution and Receptacles

Tools Required
Level, Screwdriver, Rubber Mallet

Installation
Sectional panel shown with tiles removed for clarity. Instructions apply to both tackable acoustical panels and sectional panels.

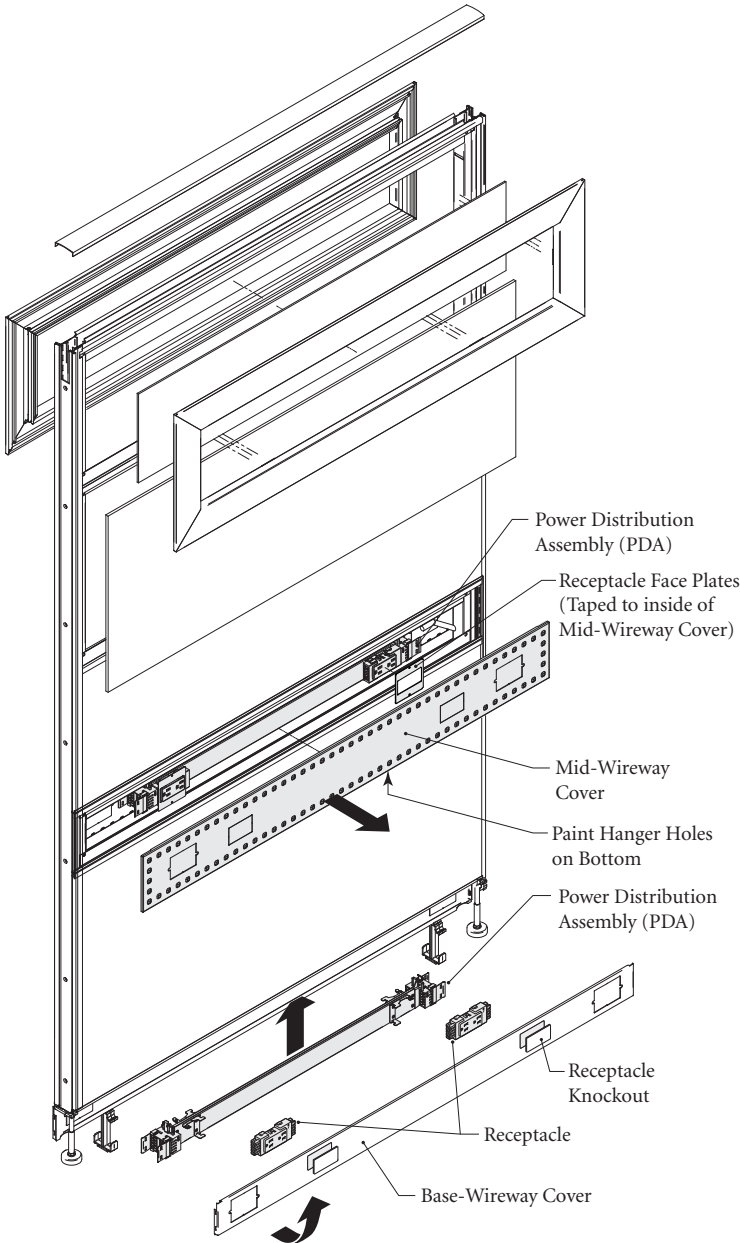
Important: Check to make sure panel run is level, prior to base wireway installation.

Note: Installation must be in accordance with the National Electrical Code and local codes. Electrically interconnected panels need to be mechanically connected.

Step 1

Remove Wireway Covers

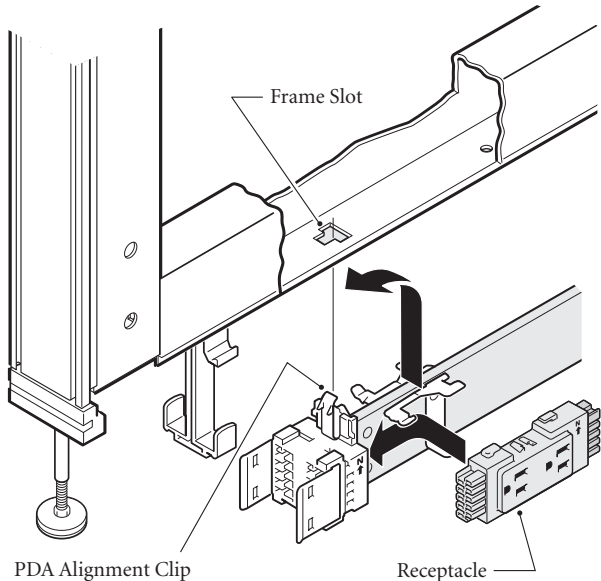
- Bottom Wireway - Grasp covers and firmly pull free
- Mid Wireway - Slide tile up against top rail, tilt bottom out, then pull down
- Re-install after all power and data installations



Step 2

Power Distribution Assembly (PDA), Receptacles

- Insert PDA alignment clip, listen for snap making sure that it is seated firmly, repeat at other end
- Slide receptacle firmly into PDA, listen for snap making sure that it is seated firmly



Proper product installation, in accordance with these instructions, is the responsibility of the installing agent. If you have any questions concerning these instructions, please call Kimball Office Customer Service.

Kimball Office

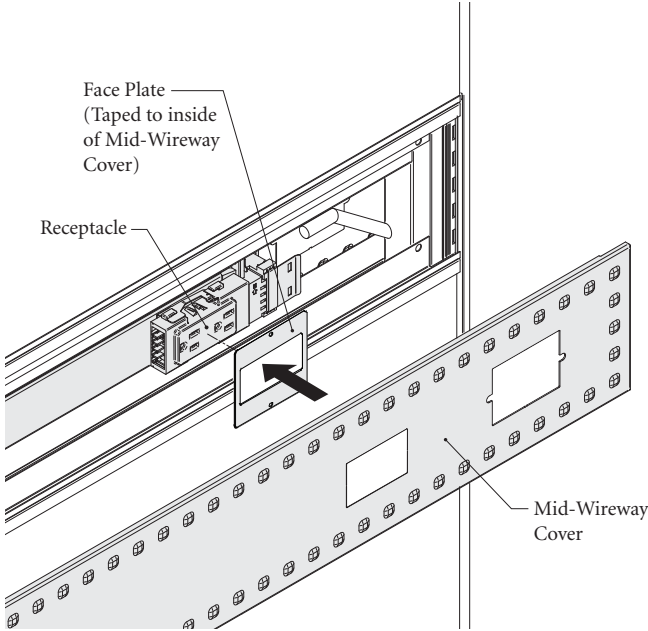
Interworks® EQ

Power Distribution and Receptacles (continued)

Step 3

Receptacle Face Plates (Mid-Wireway Only)

- Remove receptacle face plates taped to inside of metal mid-wireway tiles
- Place face plates on receptacles



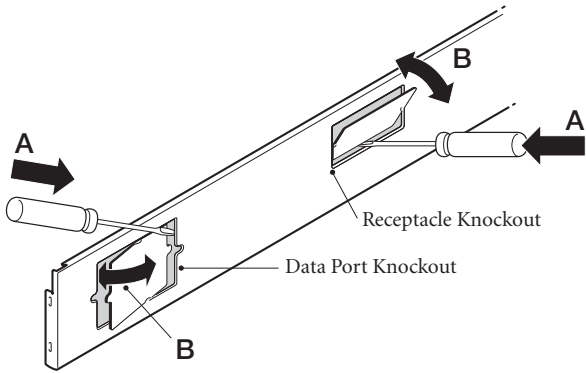
Re-Install Metal Tile

- 2 Holes on edge of tile go on bottom

Step 4

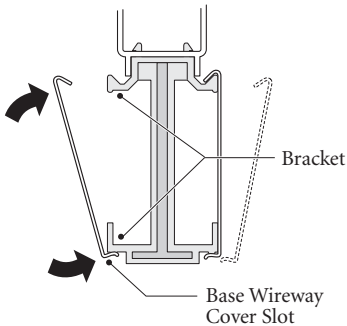
Receptacle and Data Port Knockouts

- Reference layout for receptacle and data access locations
- Firmly tap edges of knockout (A)
- Rotate knockout until free (B)



Re-Install Wireway Cover

- Engage slot in wireway cover to bracket
- Press wireway cover up over bracket



Proper product installation, in accordance with these instructions, is the responsibility of the installing agent. If you have any questions concerning these instructions, please call Kimball Office Customer Service.

Kimball Office