

# Interworks® EQ

## Power Entries: Side, End, Corner and Straight

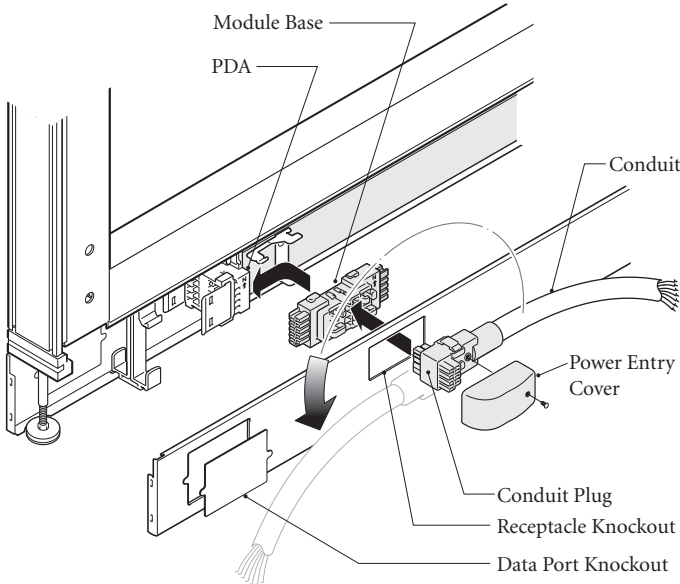
Tools Required  
Screwdriver, Rubber Mallet

Installation  
Base power is available in side, end, corner and straight options to bring power to panel. Installation process will vary depending on panel configuration and electrical requirements. End, corner and straight power entries procedures are similar, end one is shown. Connect to power source in compliance with all local and national electrical codes.

**Note:** Installation must be in accordance with the National Electrical Code and local codes. Electrically interconnected panels need to be mechanically connected. This system may be connected to more than one source of supply. No single circuit may be powered by more than one source. Do not interconnect system electrical power from different feed units. Be certain all sources are disconnected prior to any servicing.

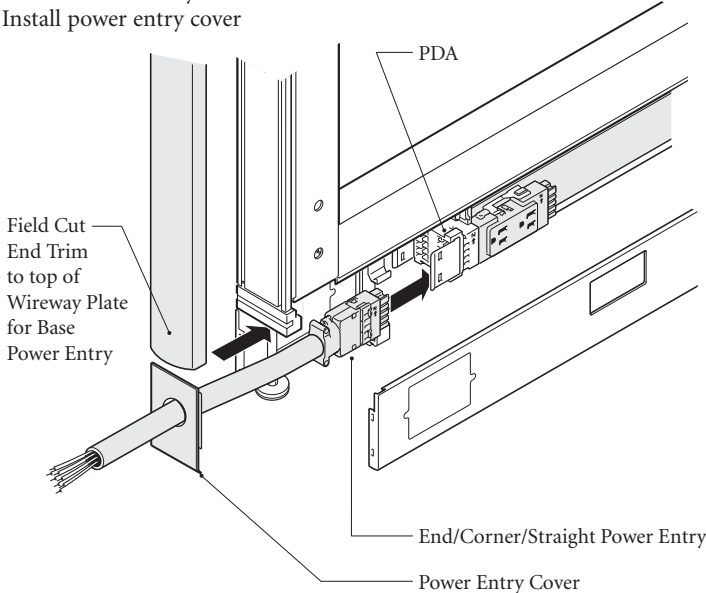
### Step 1 Side Base Power Entry

- Determine proper orientation of conduit
- Remove proper receptacle knockout on base-wireway cover
- If data/communication is to be installed, remove knockouts
- Insert module base into power distribution assembly (PDA) listen for snap making sure it is seated firmly
- **Note:** Occupies one receptacle location
- Install base-wireway cover
- Insert conduit plug through knockout and engage in module-base
- Install power entry cover



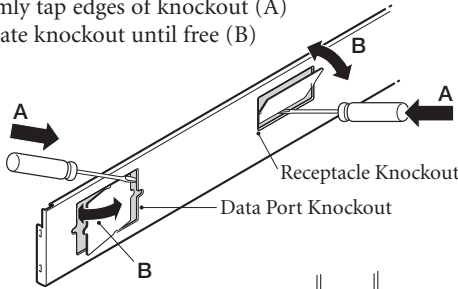
### Step 2 End/Corner/Straight Base Power Entry

- Insert power entry into PDA, listen for snap making sure it is seated firmly
- Install base-wireway cover
- Install power entry cover



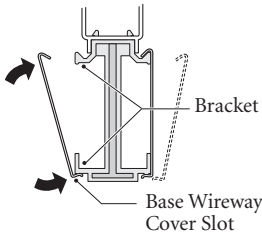
### Step 3 Receptacle and Data Port Knockouts

- Reference layout for receptacle and data access locations
- Firmly tap edges of knockout (A)
- Rotate knockout until free (B)



### Install Wireway Cover

- Engage slot in wireway cover to bracket
- Press wireway cover up over bracket



Proper product installation, in accordance with these instructions, is the responsibility of the installing agent. If you have any questions concerning these instructions, please call Kimball Office Customer Service.

Kimball Office