

Ceiling Power Entry and Power/Data Pole

Tools Required

Phillips-Head Screwdriver, Tape Measure, Drill and Bits, Hammer and Punch, Level, Ladder, Hacksaw, Utility Knife

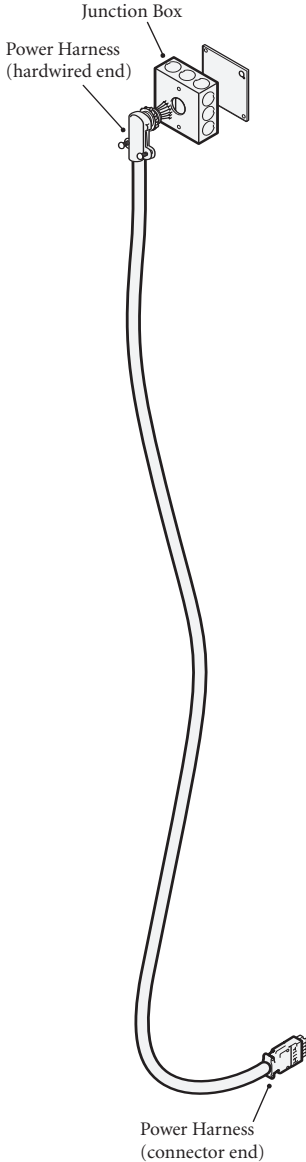
Installation

These instructions apply to installation of: data channels to route wiring vertically between adjacent panels; power/data poles to route wiring from ceiling to panel run; connect power harness to power source in compliance with all local electrical codes.

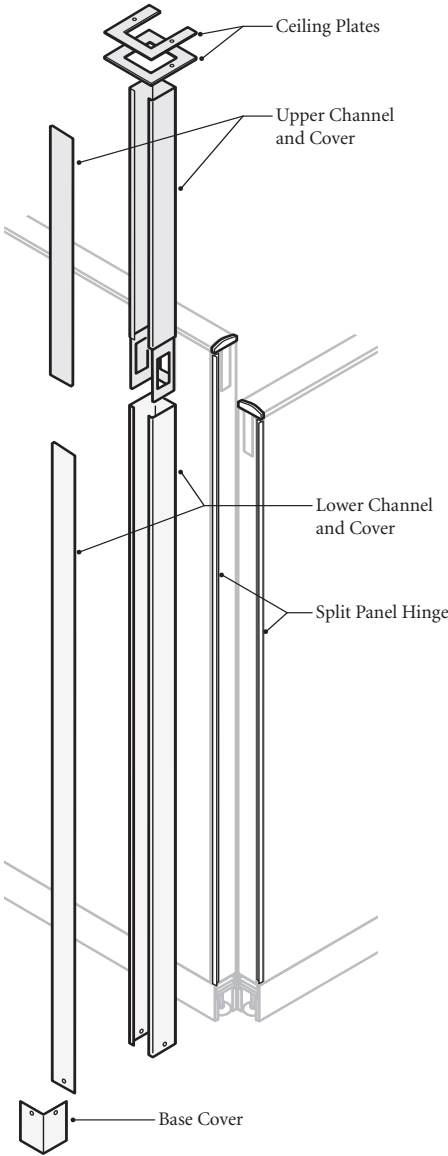
Note: Installation must be in accordance with the National Electrical Code and local codes. Electrically interconnected panels need to be mechanically connected. This system may be connected to more than one source of supply. No single circuit may be powered by more than one source. Do not interconnect system electrical power from different feed units. Be certain all sources are disconnected prior to any servicing.

Vocabulary 1

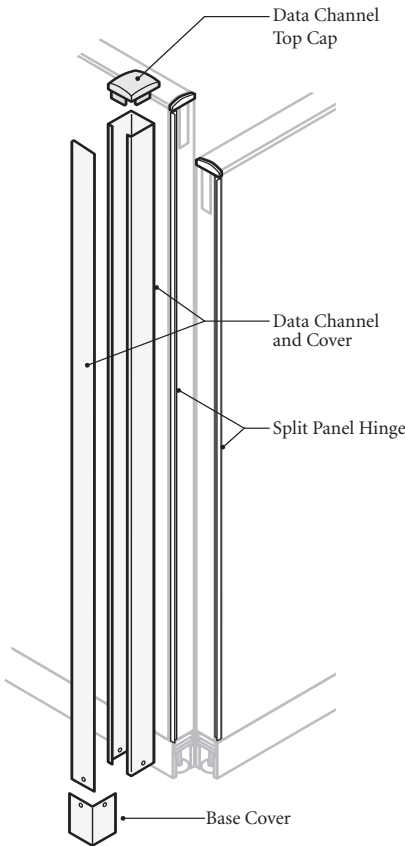
Ceiling Power Entry Harness



Power/Communications Pole



Data Channel



Proper product installation, in accordance with these instructions, is the responsibility of the installing agent. If you have any questions concerning these instructions, please call Kimball Office Customer Service.

Kimball Office

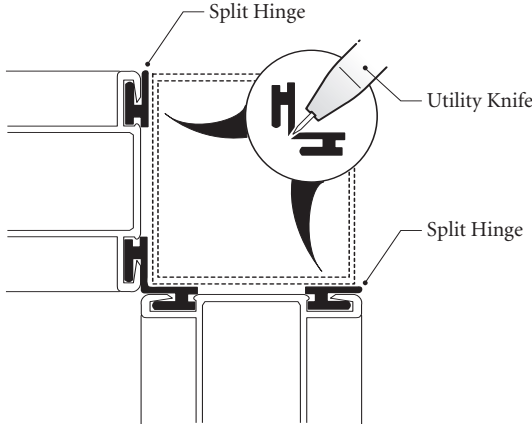
Interworks® EQ

Ceiling Power Entry and Power/Data Pole, *continued*

Step 1

Shim Panel Hinge

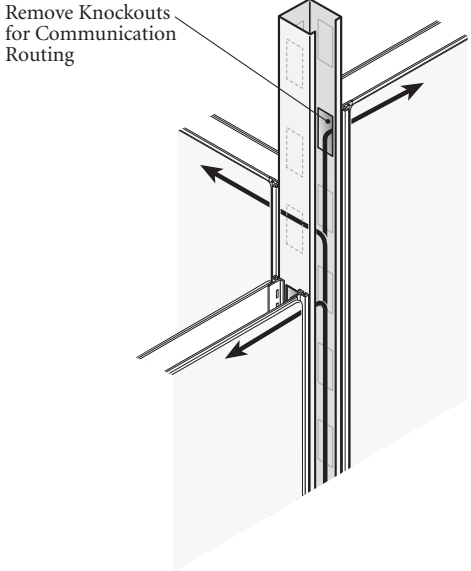
- Take one hinge that matches height of tallest panel in junction
- Use utility knife to split hinge down middle
- Slide hinge halves into open side rail slots
- Install plastic alignment clip to connect panels at the base



Step 2

Open Knockouts

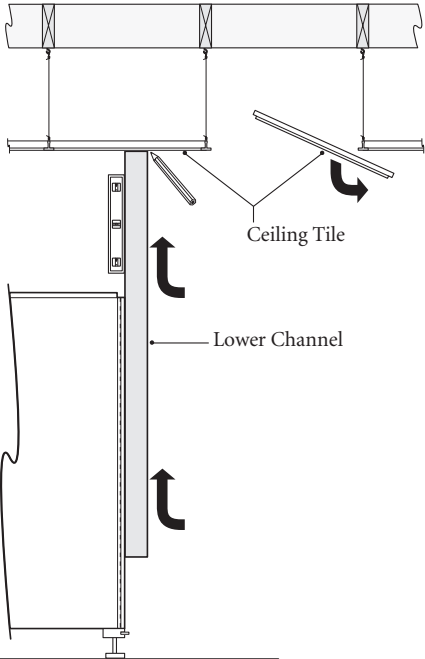
- Put channel or pole into junction to measure where communication knockouts are needed
- Open knockouts



Step 3

Cut Ceiling Tile (Pole Only)

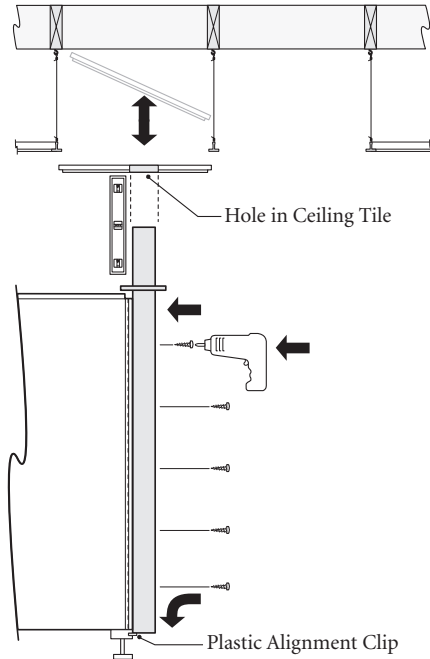
- Put pole against side rail and push up to ceiling
- Level vertically
- Mark ceiling tile and cut at mark



Step 4

Fasten Channel / Pole

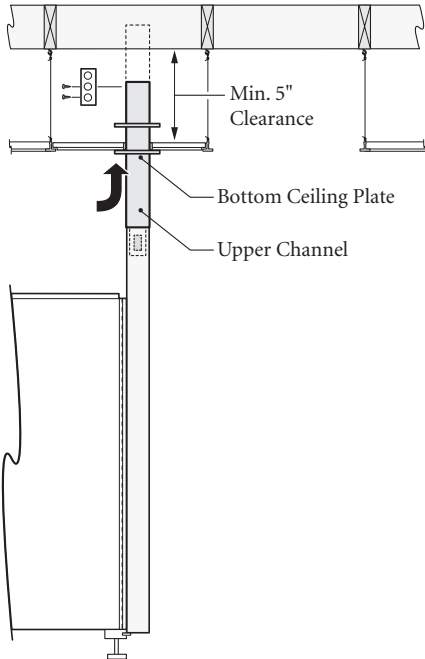
- Push the channel or pole down to sit on alignment clip
- Fasten to side rail with provided #8-32 x 3/8" screws



Step 5

Fasten Upper Channel of Data Pole

- If needed, trim top of channel for 5" minimum overhead clearance
- Put bottom ceiling plate over upper channel
- Push upper channel through ceiling tile hole
- Place upper channel sleeve into lower channel



Proper product installation, in accordance with these instructions, is the responsibility of the installing agent. If you have any questions concerning these instructions, please call Kimball Office Customer Service.

Kimball Office

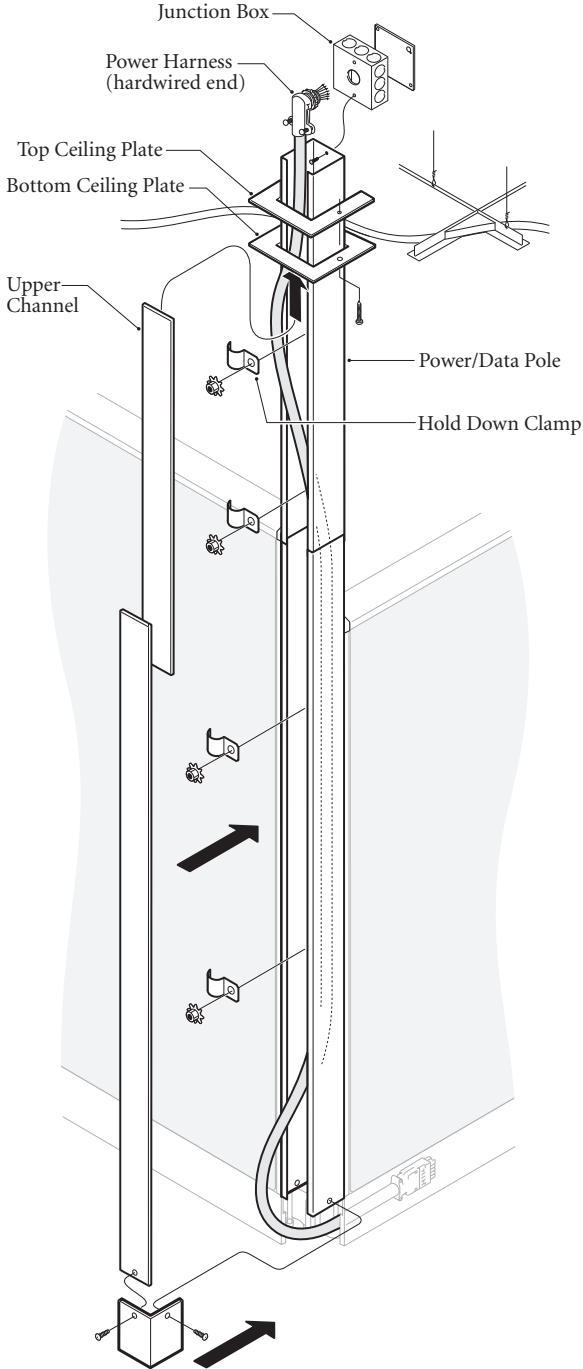
Interworks® EQ

Ceiling Power Entry and Power/Data Pole, *continued*

Step 6

Power Harness (Top)

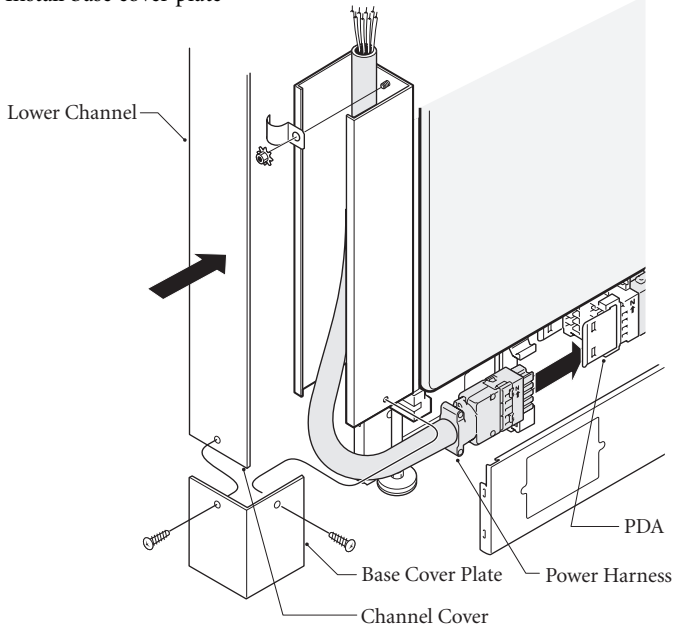
- Above ceiling tile, put top ceiling plate over data pole
- Align top and bottom ceiling plates, fasten with two #8 x 1½" screws
- Attach junction box to top of pole
- Feed power harness through top of pole
- Attach power harness to junction box
- Fasten harness with hold-down clamps
- Trim upper channel cover to length if needed, put through ceiling tile and snap into pole



Step 7

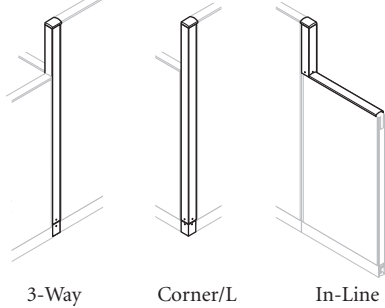
Power Harness (Bottom)

- Fasten power harness into PDA (power distribution assembly)
- Snap lower channel cover into pole
- Install base cover plate

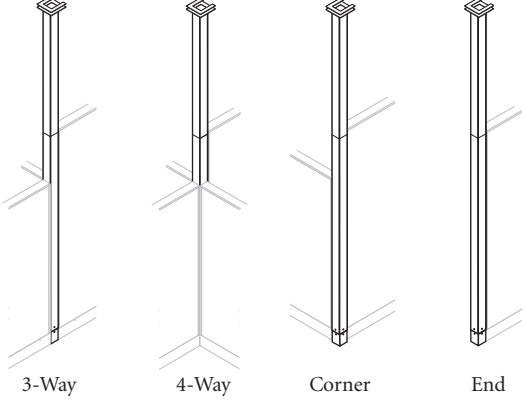


Vocabulary 2

Communication Channels



Power/Communication Poles



Proper product installation, in accordance with these instructions, is the responsibility of the installing agent. If you have any questions concerning these instructions, please call Kimball Office Customer Service.

Kimball Office