

Interworks® EQ

New York City – Compliant Electrical Power

Tools Required

Phillips-Head Screwdriver with #2 bit, Flathead Screwdriver, Rubber Mallet, Punch, Wire Cutters, 12-Gauge Wire Nuts, necessary tools and testing equipment for connecting Interworks system to an original power source, Interworks Raceway Removal Tool (no charge – contact Customer Care team to order)

Hardware Supplied (see drawing on right)

- Electrical cable/harness to match power option specified
- Internal raceway with junction boxes
- Cover plate and end caps
- Two raceway covers, one with power knock-out

Electrical Hardware Required

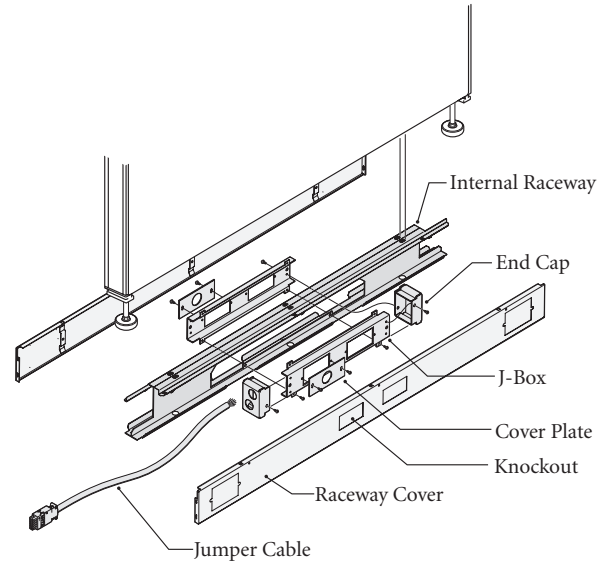
Electrical installer must supply the following materials:

- ¾" O.D. x 18" long liquid tight flex conduit
- Electrical wire, 12 AWG copper, color-coded for circuits and grounding
- ½" conduit, international metal hose AFS ½" trade size or equivalent
- ½" connectors

General Information

New York-compliant electrical power can be added under these conditions:

- Use only the New York Retrofit Kit
 - Only Interworks EQ non-powered in-feed panels can accept the retrofit kit
 - Available in 30"W – 60"W panels only
 - Mid-height access not available
 - Installer must read, understand, and adhere to all appropriate electrical guidelines
- If you have questions concerning these instructions, please call Customer Care team
- A licensed, approved electrician must perform installation

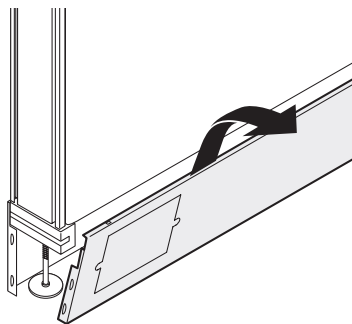


Cautions

- Installation must be in accordance with the National Electrical Code and local codes.
- Disconnect **ALL** power to panels prior to servicing or installation, including removal of raceway cover.
- Electrically interconnected panels need to be mechanically connected.
- **DO NOT** interconnect panels powered from different feed units – this can cause shock and fire hazard.
- This panel system may connect to more than one source of power supply.
- No single circuit may be powered by more than one source.
- A licensed, approved electrician must perform installation.

Step 1

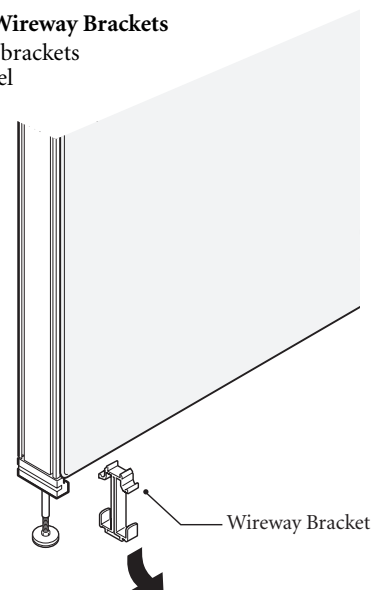
Remove Wireway Cover of Non-Powered Panel



Step 2

Remove Existing Wireway Brackets

- Remove wireway brackets from in-feed panel



Proper product installation, in accordance with these instructions, is the responsibility of the installing agent. If you have any questions concerning these instructions, please call Kimball Office Customer Service.

Kimball Office

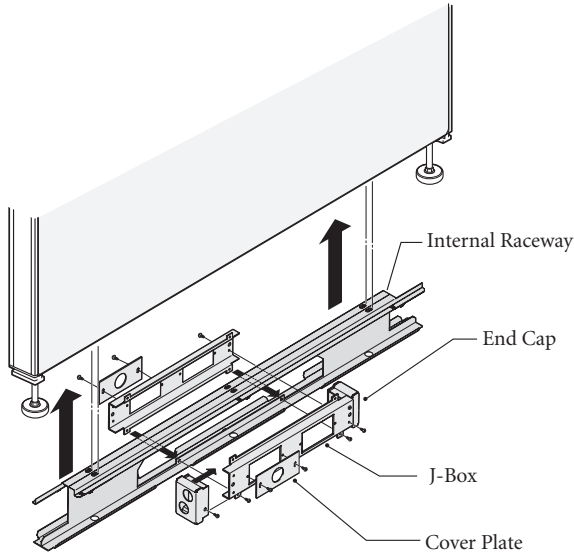
Interworks® EQ

New York City – Compliant Electrical Power, *continued*

Step 3

Assemble Retrofit Raceway

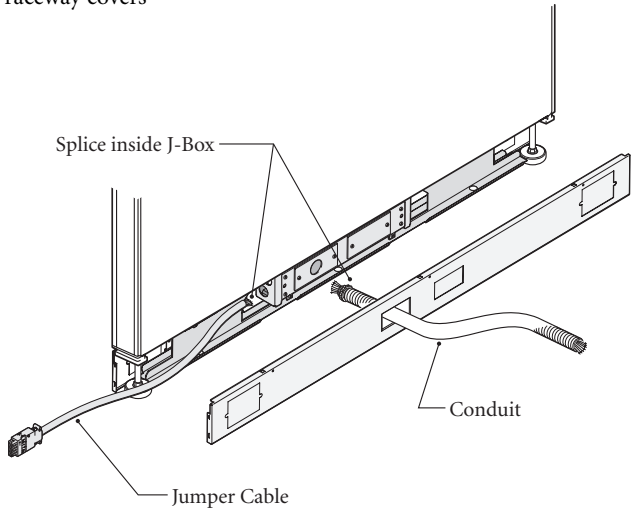
- Decide which raceway side will receive power in-feed
- Attach cover plate to J-box on side that will receive in-feed
- Install J-boxes and end caps into retrofit raceway kit
- Install assembled retrofit raceway onto panel



Step 4

Electrical Junction to Infeed Panel

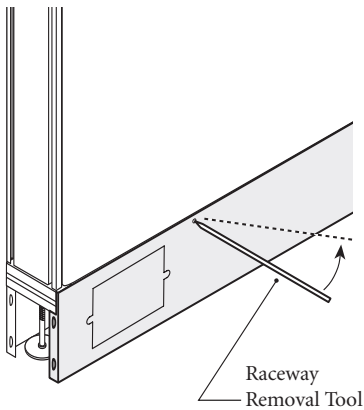
- Insert the 3/4" liquid-tight conduit through raceway cover that has knockout (customer supplied)
- Install conduit into J-box (couplers not provided), tighten fitting
- Insert jumper cable through end cap and into J-box
- Splice conduit wires to matching jumper cable wires (wire nuts not provided)
- Connect to power distribution assemblies (PDAs) and jumper cables in remaining panels
- Replace raceway covers



Step 5

Remove Raceway Cover, if necessary, once installed

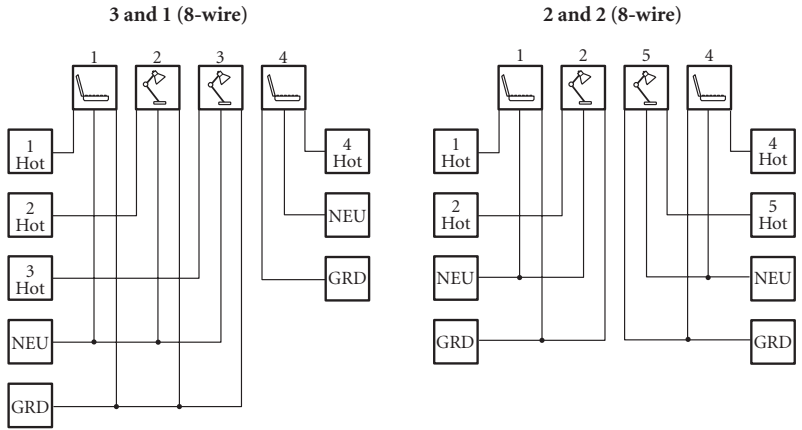
- Insert raceway removal tool into hole at top of cover
- Lift up to release cover lock, repeat at other end of cover
- Hold tool in lock-release position and pull top of cover away from panel



Step 6

Electrical Testing

- **BEFORE CONNECTING** to building electrical power:
- Determine which power option is to be installed – 3 and 1 or 2 and 2
- Test the system for its ability to withstand dielectric-voltage (high-potential) per U.L. 1286 Test #33
- Connect power input cables to power source in compliance with power option and all applicable electrical codes
- Test the entire system for proper operation



Proper product installation, in accordance with these instructions, is the responsibility of the installing agent. If you have any questions concerning these instructions, please call Kimball Office Customer Service.

Kimball Office