

Traxx[®] and Tiles

Tile Installation (Fabric, Slat or Marker Board)

Tools Required

- Putty Knife
- Tape Measure
- Level
- Utility Knife

Installation

1. For fabric tiles only, determine top side of the tile by locating the “Traxx” sticker on the backside of the tile, and orientating the label right side up. (Figure A).
2. Tilt top of tile forward and insert top of tile behind lower lip of upper Traxx. (Figures B and C).
3. Push the bottom of the tile towards the wall until clear of the upper lip of the lower Traxx, and downward until tile is seated. (Figures D and E).
4. Insert all tiles and tighten Traxx fasteners.
5. Using a putty knife and level, adjust the trim channels to fill any gaps between tiles and to ensure channels are plumb. (Figure F). Dependent on layout of worksurface and storage components, the width of tiles may need to be adjusted to ensure proper alignment.

Figure A

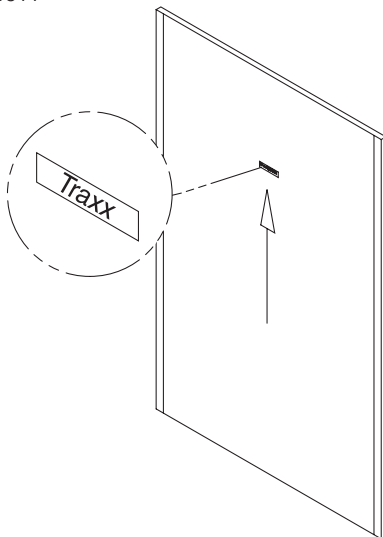
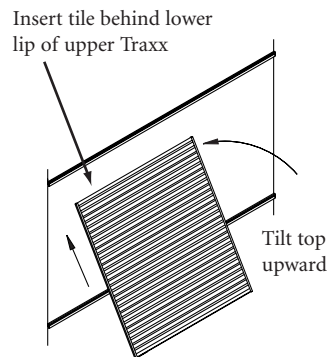


Figure B



Note: Aluminum Slat Tile shown.

Figure C

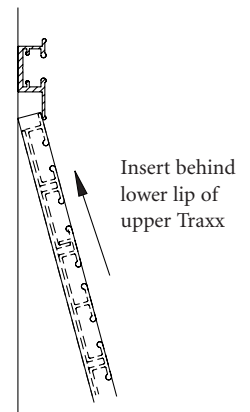


Figure D

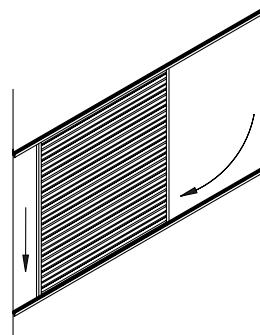


Figure E

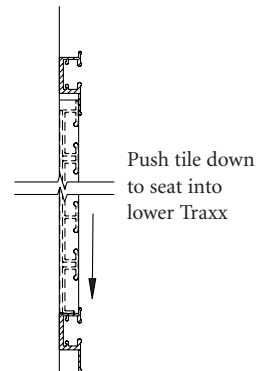
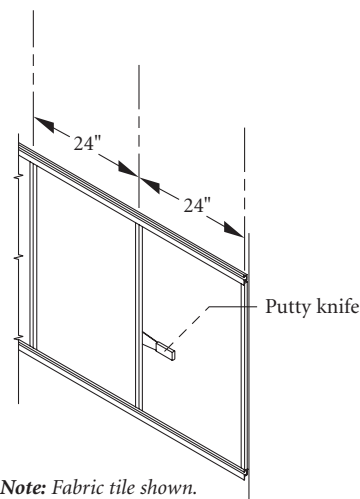


Figure F



Note: Fabric tile shown.

Proper product installation, in accordance with these instructions, is the responsibility of the installing agent. If you have any questions concerning these instructions, please call Kimball Office Customer Service.

Kimball[®]Office

Traxx and Tiles

Installation (continued)

Cutting Acoustic Tile

Tools Required

- Putty Knife
- Straight Edge
- Tape Measure
- Utility Knife

1. Take measurement of space where the tile will be placed to determine the appropriate width. (Figure A). Tiles should be cut $\frac{1}{4}$ " less than measurement.
2. Remove trim channel from end being cut.
3. Place tile on clean, solid surface, backside facing up.
4. Mark measurement near top and bottom of tile. (Figure B). Using a straight edge and utility knife cut the tile to desired width. (Figure C).
5. Replace trim channel and tile is ready to be installed.
6. Follow Steps 1-5 on page 1.

Figure A

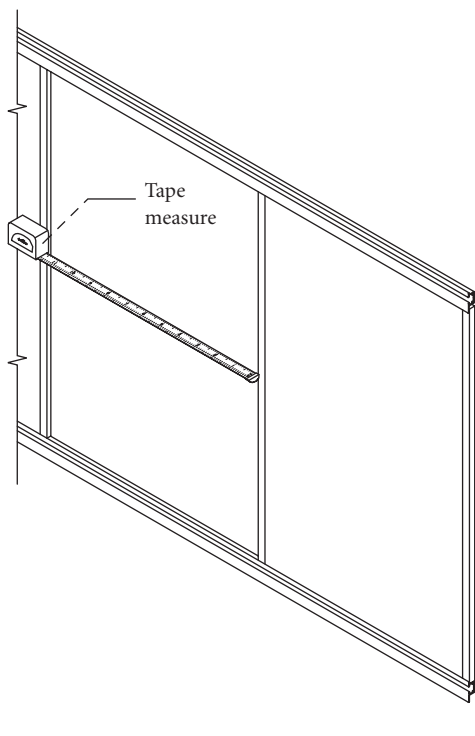


Figure B

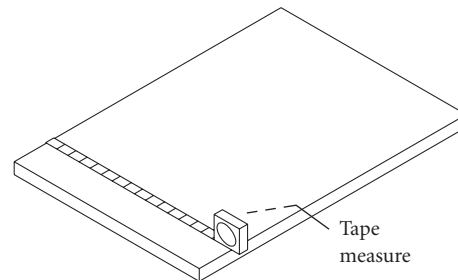


Figure C

