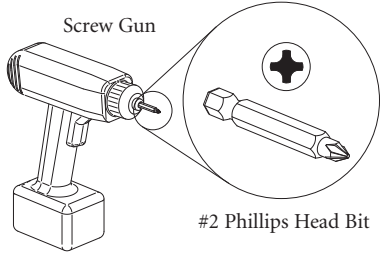


Traxx® and Tiles

End Trim Installation

Tools Required



Package Contents



Installation

1. Slide the end trim behind the installed Traxx. (Figures A and B). Align top of end trim with top of Traxx.
2. Attach end trim to the Traxx using the screws provided. (Figure C).

Figure A

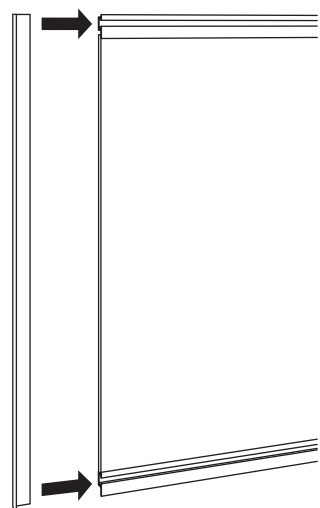


Figure B

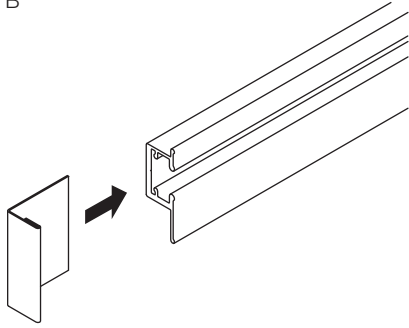
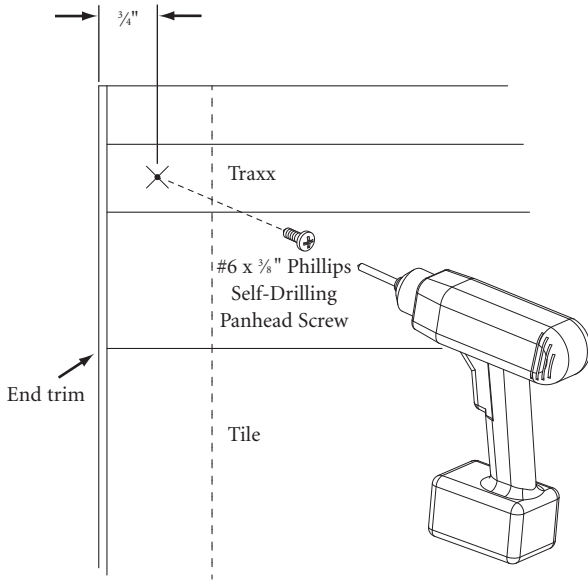


Figure C



Proper product installation, in accordance with these instructions, is the responsibility of the installing agent. If you have any questions concerning these instructions, please call Kimball Office Customer Service.

Kimball®Office