

Traxx®

Presentation Rail

Tools Required

- None

Package Contents

- Presentation Rail

Installation

1. Ensure correct position of Presentation Rail before installing. (Figure A).
2. Hook rear flange of Presentation Rail over lip in center reveal of Traxx and press down firmly to lock into position. (Figure B).
3. When aligning two rails side by side, remove the end cap from one rail and slide that rail into the end cap on the adjacent rail. Slide rails firmly together for a snug fit. (Figure C).

Figure A

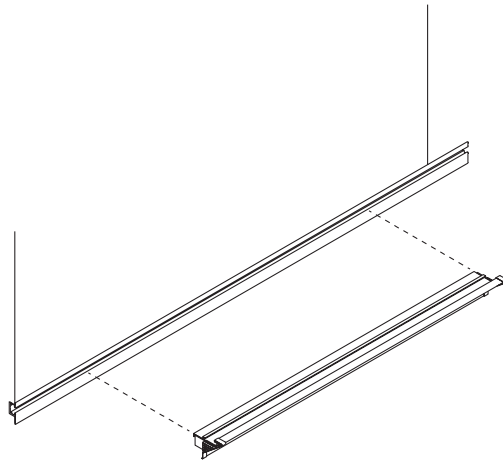


Figure B

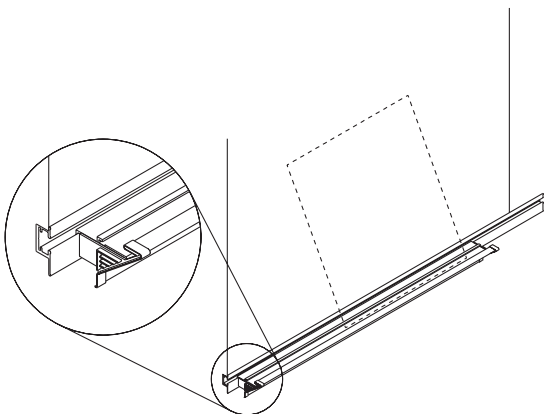


Figure C

