

Adjustable Wall Mount Channel

Tools Required

- Cordless Drill/Driver
- Rubber Mallet
- Appropriate Drill Bit(s)
- Level
- Tape Measure
- Appropriate Fasteners for Wall Construction

Recommended Fasteners

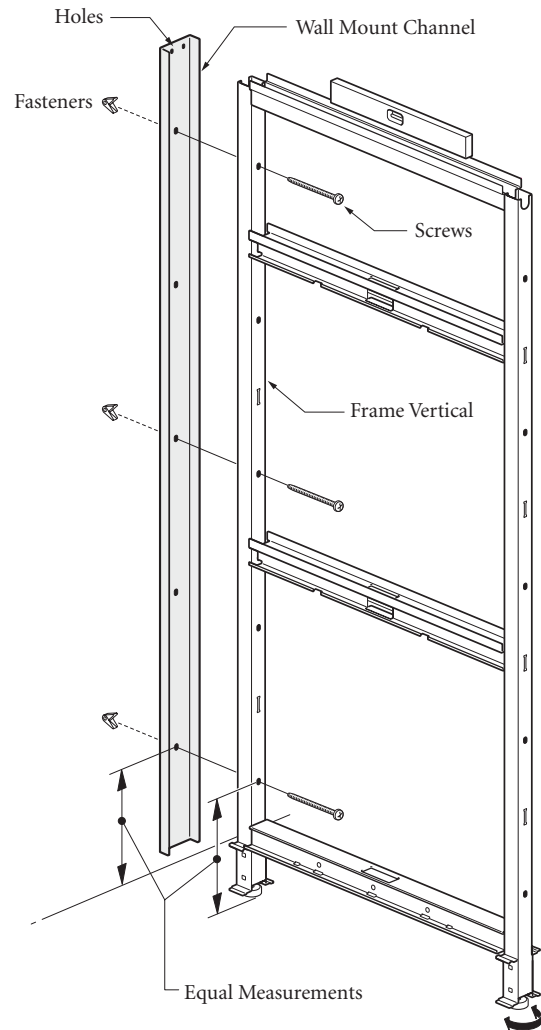
Wall Type	Size	Model No.
Steel Stud (for 1/2" to 3/4" drywall):		
Toggler Brand anchor	50BB 1/4"	21014
Hilti Toggler anchor	1/4"	663682
Molloy anchor	1/4"	1/8
Wood Stud (for 1/2" to 3/4" drywall):		
Pan head sheet metal screw		10x3" PHPMS
Solid Masonry:		
Hillman 1/4"-20 Mach. screw anchor		370141
Tapcon 1/4" - 2 3/4" Hex washer head		RAM 3519407
Masonry Block:		
Toggler Brand anchor	50BB 1/4"	21014
Hilti Toggler anchor	1/4"	663682
Hillman 1/4"-20 Mach. screw anchor		370141
Tapcon 1/4" - 2 3/4" Hex washer head		RAM 3519407

Installation

Note: Assemble and level entire station or cluster of frames prior to marking and installing wall mount.

1. Measure distance from lowest hole in frame vertical to bottom of glide. Mark wall at this height. (Figure A).
2. With two small holes in end of wall channel up, place channel against wall. Align bottom hole with mark and plumb channel. Be certain channel can mount flush to wall. Remove any obstructions.
3. Mark location of large holes in channel on wall and drill holes for appropriate fasteners. (Figure A).

Figure A



Xsite

Installation (continued)

4. Align channel and frame vertical with holes in wall. Insert screws into holes in frame vertical, through channel and into appropriate fasteners in wall. (Figure B).
5. Adjust glide on frame and check that it is level and plumb. Tighten all screws.

Note: It is the responsibility of the installer and/or the contractor to select and install the proper fasteners in the structural wall. Kimball International does not furnish fasteners or assume liability for their use.

Figure B

