

Traxx® and Tiles

Traxx Installation

Tools Required

- Level (4 ft. or greater)
- Chalk Line
- Nylon String
- Variable Speed Drill with Torque Option
- Electric Miter Saw
- Drill Bits
- Tape Measure

Package Contents

- Traxx
- Splice Plates (4 per each set of Traxx)
- (8) #6 x 3/8" Panhead Screws

Installation

1. Locate high spot of floor using level or transit. Keep in mind any panel run, worksurface, or storage that may be affected by Traxx location.
2. Mark 28½" height dimension on the wall at the high spot of the floor.
3. Place a string along the wall where lower Traxx is being placed. Make sure the string is level. (Figure A). Check along string to ensure 28½" or greater dimension is maintained. This ensures proper clearance for the undersurface storage and support. Vertical adjustment of the fastener positions may be required if 28½"H dimension is not maintained. Mark location of string at each end. Snap chalk line using the two points defined above. Center line of lower Traxx should be placed at the 28½"H marked. (Figure B).
4. Determine position of upper Traxx based on the type of tiles specified; Cetra, Xsite, Interworks or conference room; using the center line of the lower Traxx as a reference point. (Figure C). Measure appropriate dimension from lower Traxx line and mark at each end. Snap chalk line using the two points defined above.

Figure A

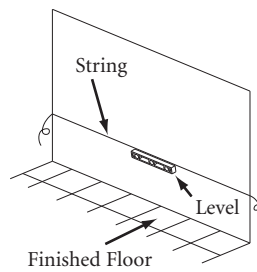


Figure B

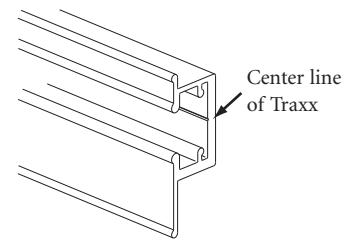
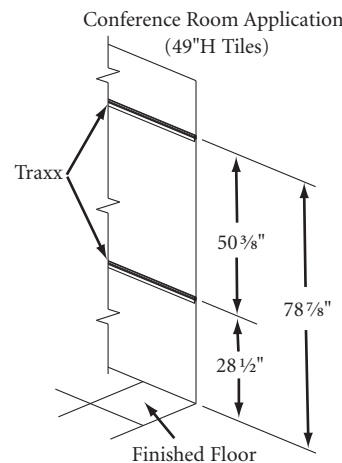
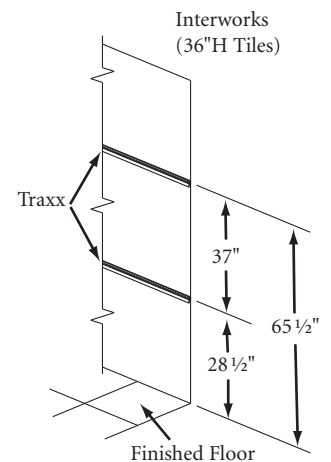
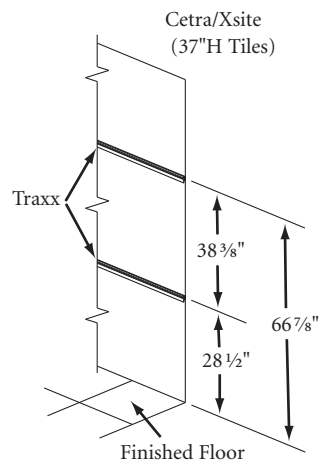


Figure C



Proper product installation, in accordance with these instructions, is the responsibility of the installing agent. If you have any questions concerning these instructions, please call Kimball Office Customer Service.

Kimball®Office

Traxx and Tiles

Installation (continued)

5. Locate the wall substructure along the fastener location chalk lines. For proper attachment of Traxx to the wall, fasteners must tie directly into the substructure of the wall (studs, blocks, solid masonry). (Figure D). Select the appropriate fasteners for type of structural wall.

Note: Kimball International defines a structural wall as a load-bearing wall constructed of materials such as: poured concrete, concrete block, or studs. Wood studs must be a nominal 2" x 4" size minimum. Metal studs must be "C" channel, 20-gauge thick minimum. Metal or wood studs must be on centers no greater than 24" and have maximum height of 14' restrained at floor and ceiling. Interior walls shall be designed to resist not less than a force of 5 lbs. per square foot applied perpendicular to wall. The deflection of such walls under a load of 5 lbs. per square foot shall not exceed $\frac{1}{240}$ of the span for walls with brittle finishes, and $\frac{1}{120}$ of the span for walls with flexible finishes (per Uniform Building Code Section 2309b). If you have any questions concerning your load-bearing structures, please consult your architect or structural engineer.

6. Prepare wall for Traxx attachment by pre-drilling for and/or installing fasteners along chalk lines per the fastener manufacturer's guidelines. Recommended spacing of fasteners is 16", but should not exceed 24" on center. When ending a run, **DO NOT** extend the Traxx more than 6" beyond the last anchor attachment. (Figure D).

Note: It is the responsibility of the installer and/or the contractor to select and install the proper fasteners in the structural wall. Kimball International does not furnish fasteners or assume liability for their use.

7. Measure wall length at the upper and lower marked fastener positions. Cut the Traxx, when necessary, to the proper lengths.

Note: A single section of Traxx must attach to the wall with a minimum of two solid anchor attachment points.

Note: If the Traxx are installed at intersecting walls, an allowance is required for the installation of the Splice Plate. Install Splice Plate prior to attaching Traxx to the wall. The first length of Traxx installed will be reduced by $\frac{1}{4}$ " at each intersection. (Figure E).

Figure D

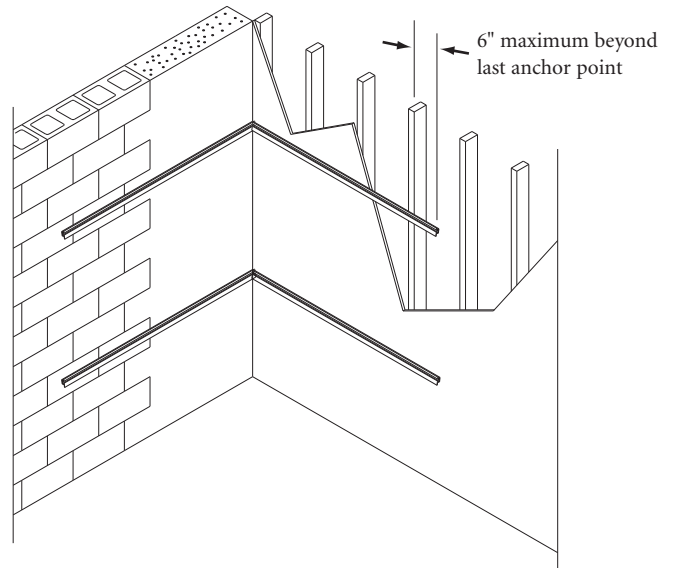
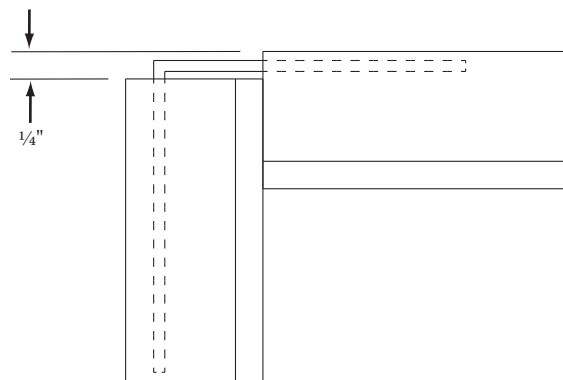


Figure E



Traxx and Tiles

Installation (continued)

8. Position the Traxx against the wall just below the chalk line. (Figure F). Transfer the fastener locations from the wall to the center line in the Traxx.
9. Drill the appropriate diameter hole in the Traxx per the fastener manufacturer's guidelines.
10. Before installing the Traxx, touch-up any exposed cut ends.
11. To align two adjacent pieces of Traxx, slide a Splice Plate into the channel at the back of the Traxx. Offset the "V" in the splice plate with the seam between Traxx and attach using provided #6 x 3/8" panhead screws. (Figure G).
To align two adjacent pieces of Traxx at a corner intersection, bend the Splice Plate to the required angle at the notch provided and attach using provided #6 x 3/8" panhead screws. (Figure H).
12. With the Splice Plate installed, attach the Traxx to the wall.
Note: Do not tighten the fasteners fully until the wall tiles have been installed. Do not install Splice Plate screws until after the Traxx fasteners have been tightened.

<u>Recommended Traxx Fasteners</u>	<u>Size</u>	<u>Model #</u>
Steel Stud		
(for 1/2" to 3/4" drywall):		
Hilti® Toggler® anchor toggle bolt	1/4"-20 x 2" grade 5 bolt	374494
Wood Stud (for 1/4" to 1/2" drywall; meets or exceeds ANSI/ASME B18.6.4 and SAE J933):		
Panhead sheet metal screw		10-2 PHPMS
Solid Masonry:		
Crown Bolt lag shields	1/4" x 1 1/2"	
Buildex Tapcon concrete anchor screw	1/4" x 2 3/4"	24385
Masonry Block:		
Hilti Toggler anchor toggle bolt	1/4"-20 x 2" grade 5 bolt	374494
Crown Bolt lag shields	1/4" x 1 1/2"	
Buildex Tapcon concrete anchor screw	1/4" x 2 3/4"	24385

Figure F

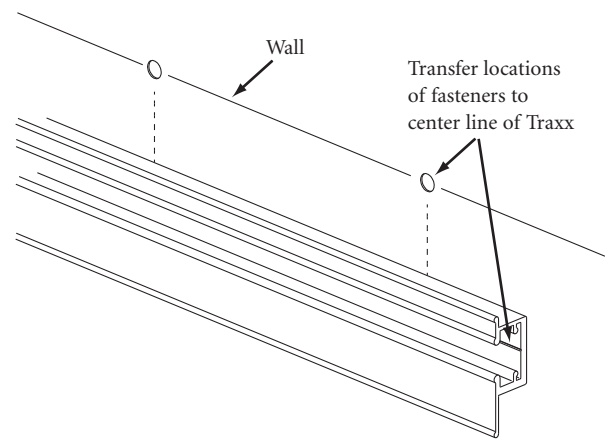


Figure G

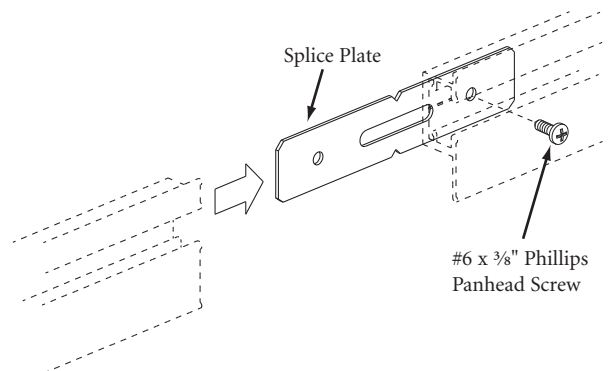
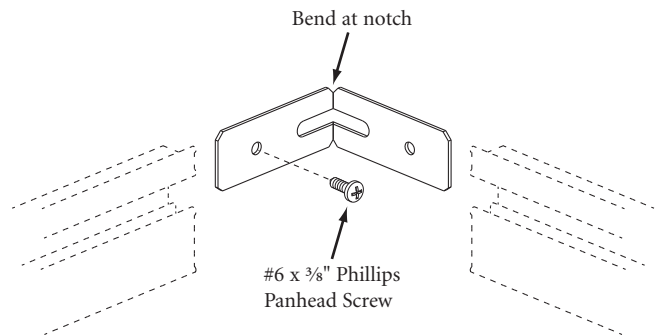


Figure H



Printed in U.S.A. © 2010 Kimball International, Inc. T 800.482.1818 F 812.482.8300

Proper product installation, in accordance with these instructions, is the responsibility of the installing agent. If you have any questions concerning these instructions, please call Kimball Office Customer Service.

Kimball Office