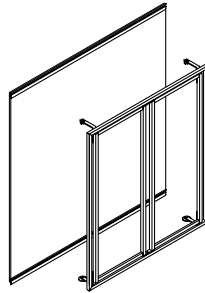


Note: For safety, two people are required when mounting the Overhead Projection Screen or Swivel Marker Board.

Note: For clarity, in this instruction the frame is being shown without the Projection Screen or Swivel Marker Board.

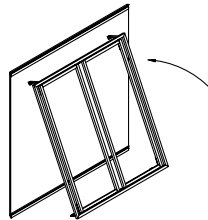
1 Position screen in front of Traxx (Figure A).

Figure A



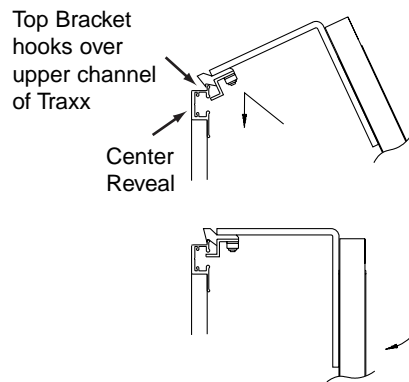
2 Tilt top of screen towards top Traxx (Figure B).

Figure B



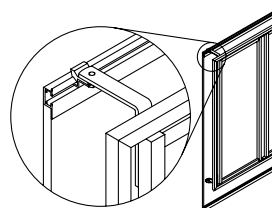
3 Hook both top brackets over the upper channel of the Traxx. Brackets must be hooked to the upper channel and center reveal for anti-dislodgement mechanism to operate correctly. Allow bottom of screen to rotate inward to normal operating position (Figure C).

Figure C



4 Ensure top brackets are seated firmly on upper channel of Traxx (Figure D).

Figure D



TRAXX®

Assembly Instructions

Overhead Projection Screen and Swivel Marker Board

Recommended Tools

- None

Package Contents

	Qty.
• Overhead Projection Screen	1
Or	
• Swivel Marker Board	1



Telephone 800.482.1818
 Fax 812.482.8300
www.furniture.kimball.com

Form #AISYTR003-00
 #1469021

Printed in U.S.A.
 © 2000 Kimball International, Inc.