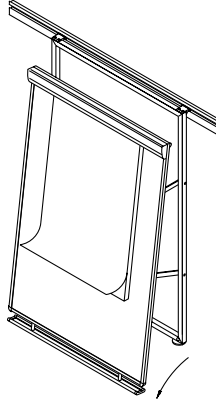


These instructions provide the basic information for installing replacement plastic corners on the Extendable Flip Chart Holder.

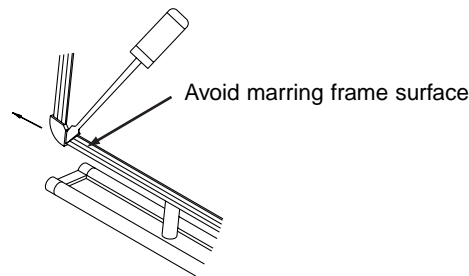
1 For ease of corner replacement, ensure Flip Chart Holder is fully extended out and down (Figure A).

Figure A



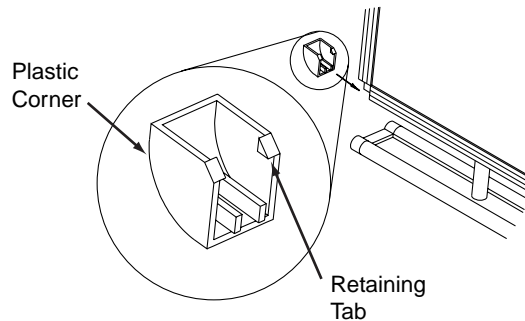
2 Use slotted screwdriver or other flat, blunt tool to remove plastic corners. Gently pry front and rear edges of plastic corner while pulling it away from Chart Holder Frame. Use care to avoid marring finish of frame (Figure B).

Figure B



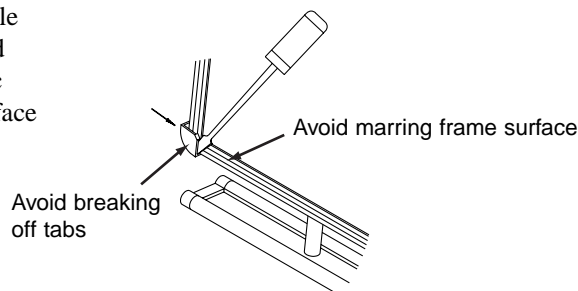
3 Position replacement corner piece on corner of frame (Figure C).

Figure C



4 Use screwdriver to gently pry out sides of plastic corner on front and back sides of flipchart holder frame while pushing corner into position. Avoid breaking retainer tabs off of plastic corner and use care to not mar surface of holder frame (Figure D).

Figure D



TRAXX®
Assembly Instructions

**Extendable
Flip Chart
Holder
Plastic Corner
Replacement**

Recommended Tools

- Slotted Screwdriver

**Package
Contents**

- Plastic Corner **Qty.** 2

Kimball®
Office Furniture

Telephone 800.482.1818
Fax 812.482.8300
www.furniture.kimball.com

Form #AISYTR012-00
#1469026

Printed in U.S.A.
© 2000 Kimball International, Inc.