

General Information

- These instructions are to assist in the installation of an Interworks® panel perpendicular to installed Traxx. Acoustical panels are illustrated.
- One person is required to perform all operations.

Traxx Panel Starter Kit includes the following:

- Weld nut and screw for attaching Wall Mount to Traxx: two each for 66"H and 80"H Kits; one each for 34"H to 62"H Kits.
- One 60" strip of flexible, visual privacy tape
- Two washer nuts, which serve as spacers.

Tools Required

- Tape measure
- Level
- Slot head screwdriver
- Tools to install fasteners as listed in price list and Traxx Assembly Instruction AISYFP001C.

Interworks Products Required:

- (2) Panel Hinges, same height as Kit.
- In-Line Fill Cap or Side Rail End Cap is recommended to fill gap between panel top cap and Traxx. Contact your Customer Care Team to order.

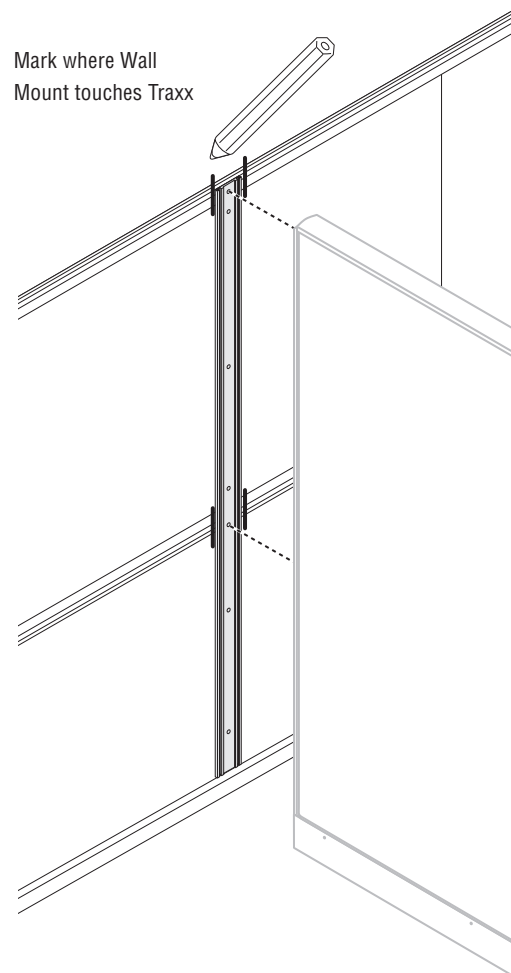
Cautions

- Traxx must be previously installed using recommended fasteners and within specifications listed in price list and Traxx Assembly Instruction AISYFP001C.
- Kit must be attached to Traxx and or wall at a minimum of two points.

Installation

- 1a. Position Wall Mount perpendicular to Traxx where starter panel is required. Level for vertical plumb and mark Traxx (Figure A).

Figure A



Proper product installation, in accordance with these instructions, is the responsibility of the installing agent. If you have any questions concerning these instructions, please call your Customer Care Team.

Installation

1b.

NOTE: If Traxx is only used in lower position OR if Kit/panel is less than 66"H, locate bottom of Wall Mount about $3\frac{7}{16}$ " from finished floor. Mark where lowermost hole in Wall Mount would meet wall, approximately $9\frac{7}{16}$ " from finished floor (Figure B). This mark will be used to install spacers.

2. With Wall Mount pressed against Traxx, measure where lowermost Traxx meets underside of Wall Mount. This mark determines how much privacy tape you'll need.
3. Lay Wall Mount aside. Measure distance from mark on underside of Wall Mount to bottom edge of Wall Mount. Transfer this measurement to privacy tape and cut two equal lengths, approximately $28\frac{1}{2}$ ". Remove backing and apply to underside of Wall Mount.

4. Insert screws through appropriate hole in Wall Mount and start weld nut onto screws. Slip weld nut(s) into recess of installed Traxx using locator marks from Step 1a as a guide. Realign Wall Mount to Traxx, using level to ensure vertical plumb, and secure Wall Mount to Traxx using screws(s) provided (Figure C). As screw is tightened, weld nut pulls Wall Mount flush and secure to Traxx. Do not overtighten screw.

NOTE: If Traxx is only used in lower position OR if Kit/panel is less than 66"H, secure Wall Mount to wall at location determined in Step 1a, making sure the two spacers provided are installed behind the Wall Mount.

5. With Wall Mount secured to Traxx, secure panel to Wall Mount with Panel Hinges (Figure D).
6. If needed, insert In-Line Fill Cap into panel top cap to enclose gap between Wall Mount and panel top cap. Replace panel top cap (Figure E).
7. Adjust panel glides as necessary.

Figure B

66"H Kit Illustrated

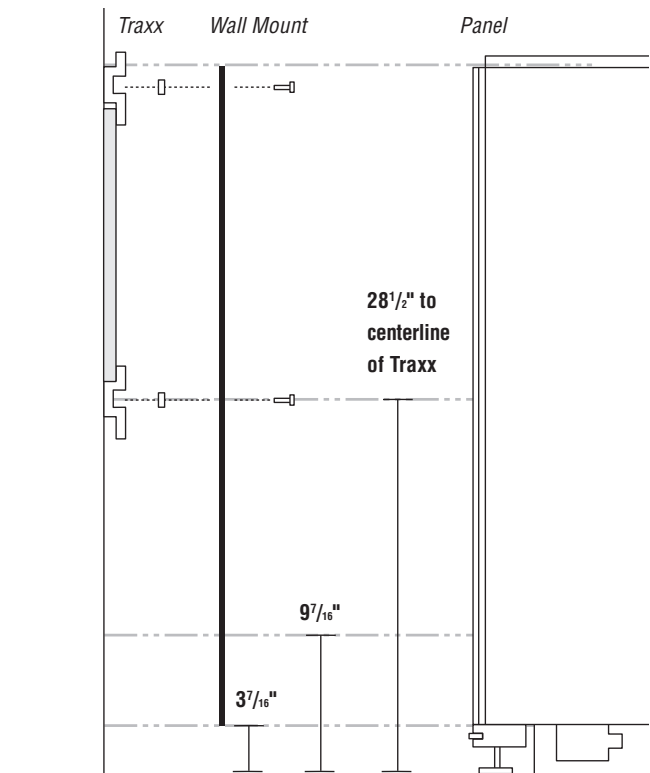


Figure C

Weld nut and screw secures Wall Mount to Traxx

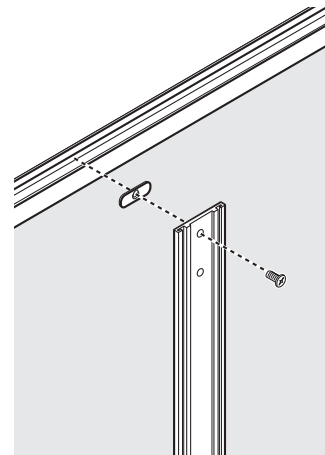


Figure D

Panel Hinges

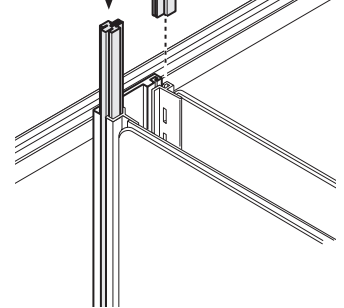


Figure E

In-Line Fill Cap or Side Rail End Cap encloses gap

