

Ceiling Power Entry and Power/Data Pole

Tools Required

- Cordless Drill/Driver
- Flat Blade Screwdriver
- Tape Measure
- #2 Phillips Screwdriver Bit
- Rubber Mallet
- Utility Knife
- Level
- Metal Cutting Saw
- Plumb Bob

Installation

Note: System should be in its final position before proceeding. Independent and shared neutral components cannot be mixed. Reference labels on conduit for wiring diagrams. Junction box, junction box cover, screws for junction box cover, and right angle connector to be supplied by electrician. If using the pole for data, it is recommended that the data cables be routed down through the pole and distributed through the system in the top channel of the frame.

1. Determine location of power and/or data source in the ceiling.
2. Use a plumb bob to line up top channel slot to a point on the ceiling. Mark center point and carefully cut a 5½" x 1½" hole in the ceiling. (Figure A).
3. Measure distance from top channel opening to ceiling. Add sufficient length above the ceiling to allow for proper support and fastening.
4. At top end, cut ceiling power/data pole to length.
5. Slide top trim plate over upper end of pole and bottom trim plate over lower end of pole. (Figure B).
6. Center pole attachment brackets over opening in top channel. Attach with two #8 x ½" self-tapping screws provided. (Figure B).

Figure A

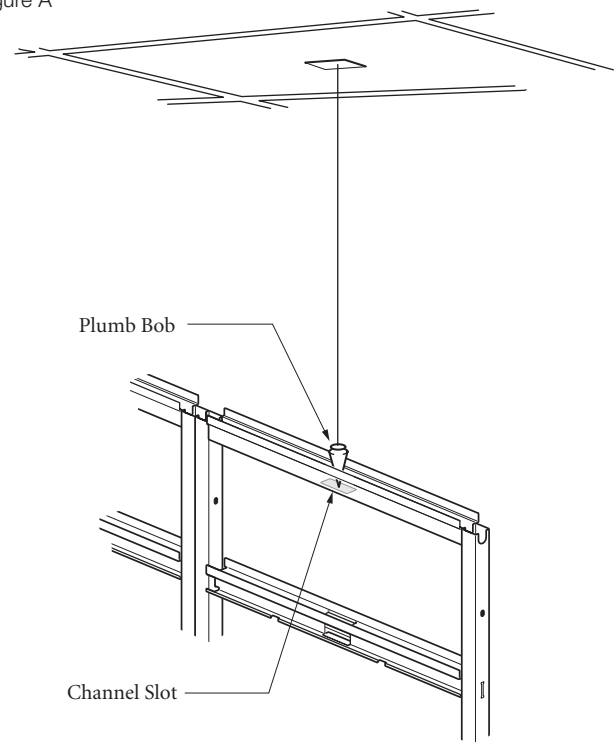
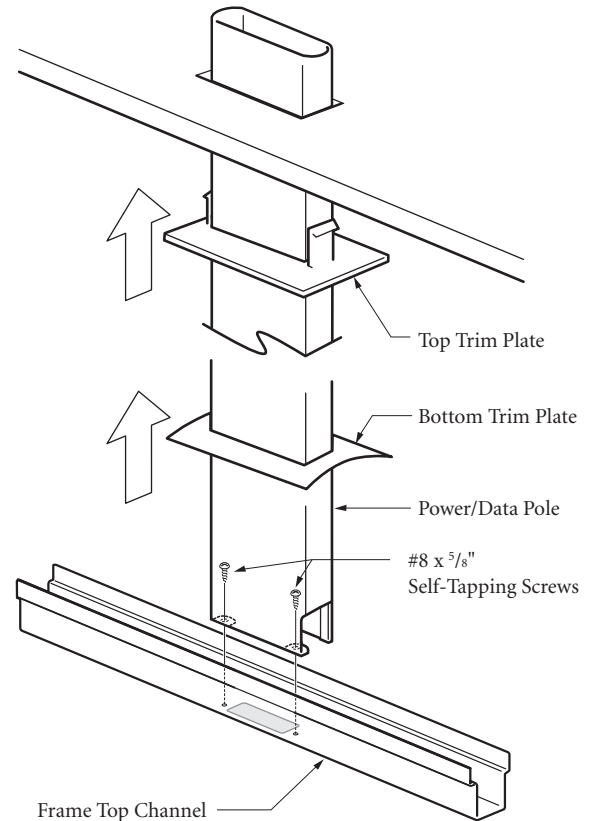


Figure B



Xsite

Installation (continued)

7. Mark and drill two $\frac{5}{32}$ " pilot holes for attaching junction box into top of pole. Attach junction box (supplied by electrician) to top of power pole with two Phillips head #8 x $\frac{5}{8}$ " thread-forming screws (supplied by electrician). (Figure C). Ensure holes to attach right angle connector are exposed when junction box is attached to pole.
8. Feed power entry through power pole, center opening in top channel, through mid-frame supports, bottom channel, into wireway.
9. Install right angle connector (supplied by electrician) in back of box and cut flexible conduit to length. Feed wires into box and fasten with connector. (Figure D).
10. Secure junction box above the ceiling in an approved manner.
Note: Bracketry to support junction box in ceiling to be supplied by contractor.
11. Install Xsite Traxx®. (See Xsite Traxx assembly instructions).

Figure C

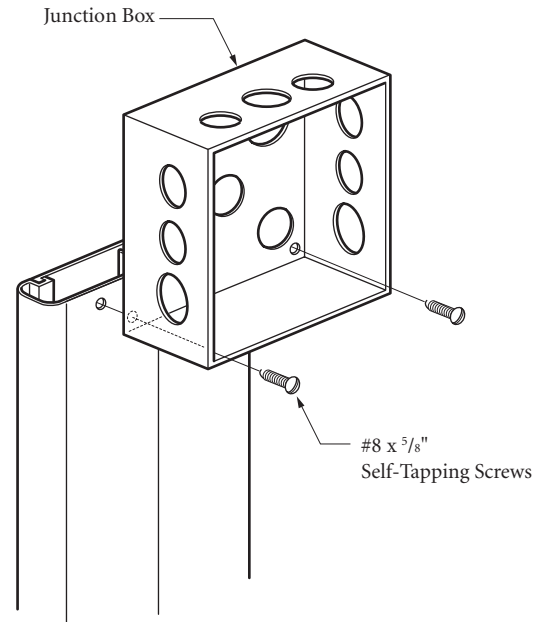
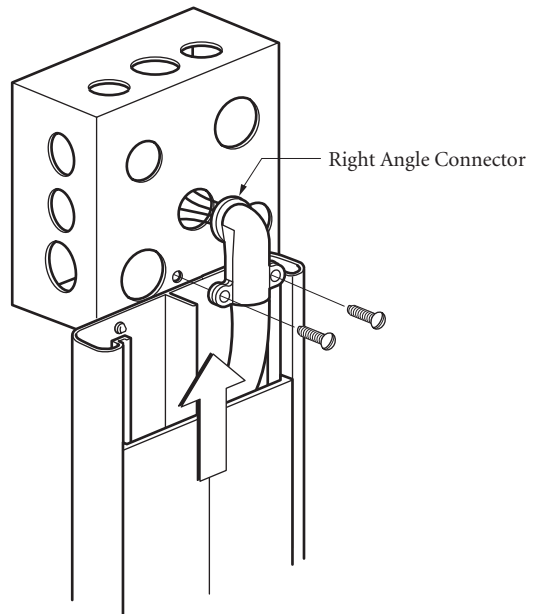


Figure D



Xsite

Installation (continued)

12. Lay ceiling power/data top cap over flanges in Xsite Traxx and push down into place. Slide to line up slot in cap with pole. Repeat for opposite top cap. (Figure E).
13. Slide bottom trim down into place. Slide top trim up to ceiling and engage wings into ceiling. Push up until flush. Adjust wings by bending until secure. (Figure B).
14. With north arrow pointing up, plug end of power entry into right hand block of the base wireway harness. Install two retaining screws and tighten into harness. (Figure F).

Consumes one receptacle location.

Note: Power supply to the junction box must be ½" trade size or other approved conduit. After installation is completed the top opening in the power/data pole may be sealed with an approved sealant if required by codes.

Warning: Connection to building power must be completed by a licensed electrician. Installation must be in accordance with the National Electrical Code and local codes. This system may be connected to more than one source of supply. No single circuit may be powered by more than one source. Do not interconnect system electrical power from different feed units. Be certain all sources are disconnected prior to any servicing.

Figure E

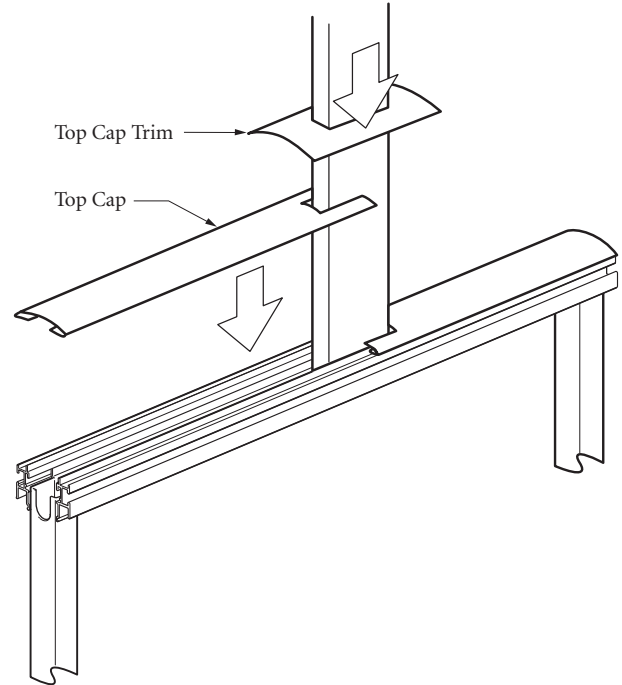


Figure F

