

# Fundamental®, LF Series®

## Laminate File Top

### Tools Required

- Phillips Head Screwdriver ■ Drill

### General Information

- These instructions provide the basic information to install a Laminate File Top onto any Fundamental or LF Series Lateral File.
- File Top must equal either a single file width or the width of two files, e.g. a 72"W top onto two 36"W files. (Figure A).
- One person can perform all operations although two may be required to position larger units.

### Installation

1. Top drawer must be removed to allow drilling.
2. Measure 2" in from the perimeter of the top of the file and mark the rectangle formed. Also measure the centerline of the file along with width of the top and mark where this path intersects with the rectangle formed. (Figure B).
3. Drill six 1/4" hole locations into top of file per Figure B.
4. Align File Top flush with rear of file. From inside the file, secure File Top to file using six #10 x 5/8" Phillips pan head screws provided. (Figure C).

Figure A

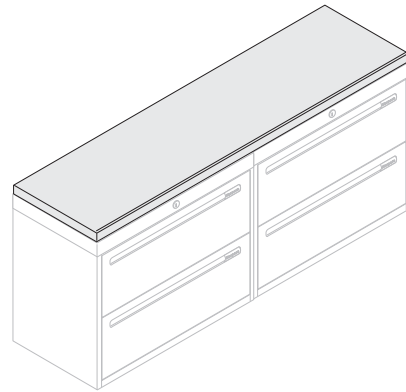


Figure B

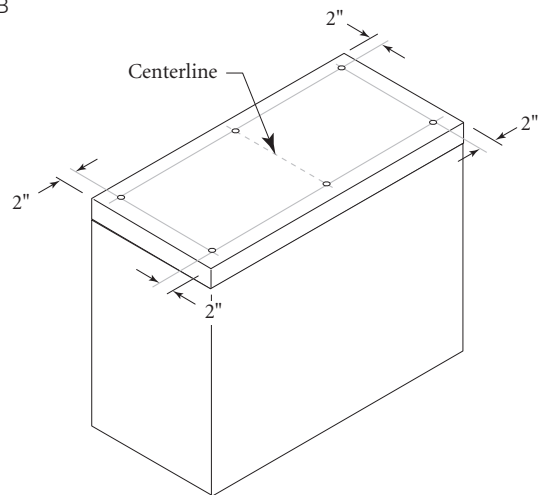
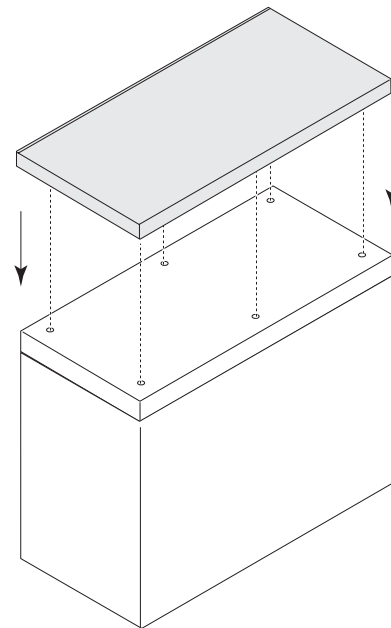


Figure C



Printed in U.S.A. © 2010 Kimball International, Inc. T 800.482.1818 F 812.482.8300

Proper product installation, in accordance with these instructions, is the responsibility of the installing agent. If you have any questions concerning these instructions, please call Kimball Office Customer Service.

Kimball®Office